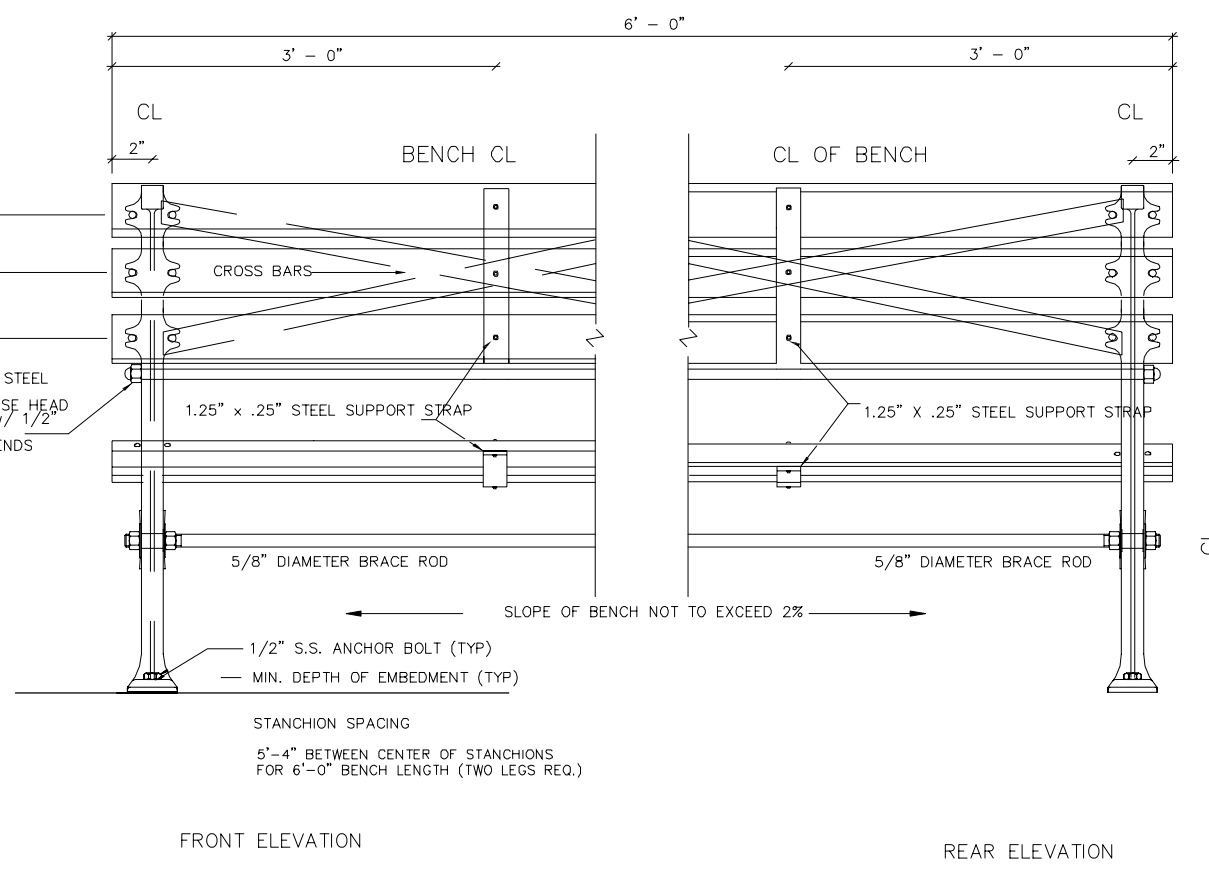
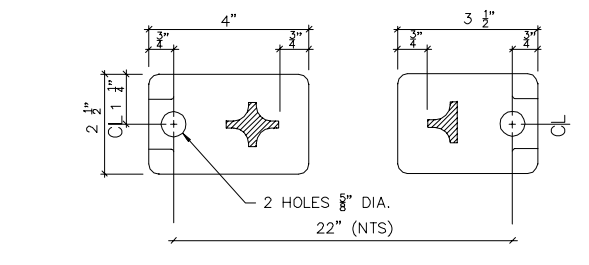


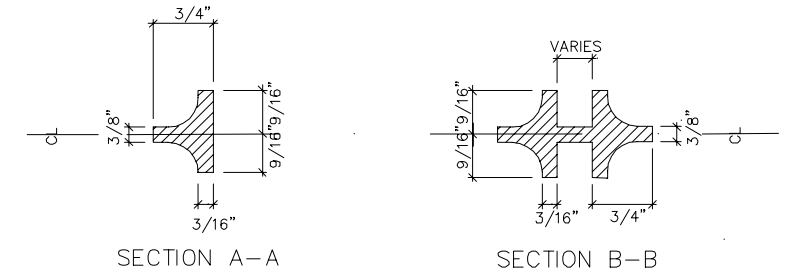
**1 CHILD'S 1939 STYLE WORLD'S FAIR BENCH - SIDE ELEVATION**  
SCALE: 3" = 1'-0"



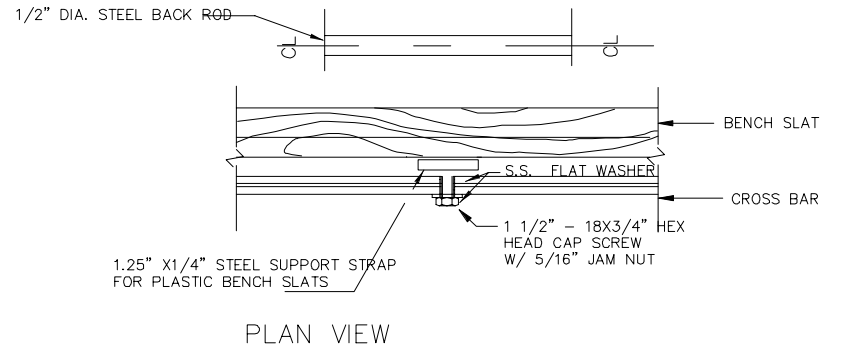
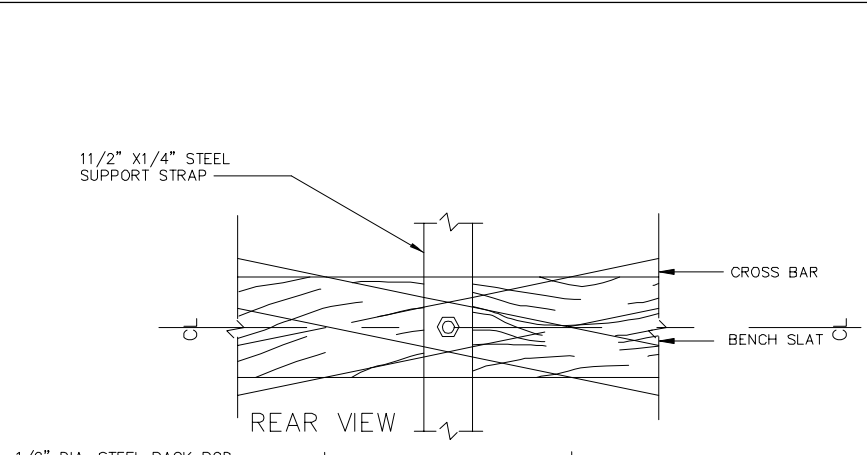
FRONT ELEVATION REAR ELEVATION



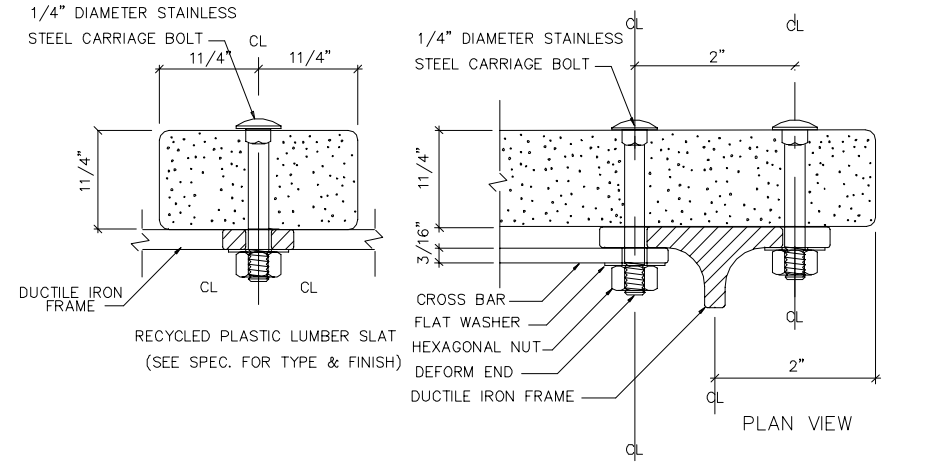
PLAN VIEW  
**8 FOOT DETAIL**  
SCALE: 6" = 1'-0"  
Scale: 6" = 1'-0"



**2 SECTIONS**  
SCALE: 1'-0" = 1'-0"  
Scale: 1'-0" = 1'-0"



**4 CROSS BAR CONNECTION**  
SCALE: 6" = 1'-0"  
Scale: 6" = 1'-0"

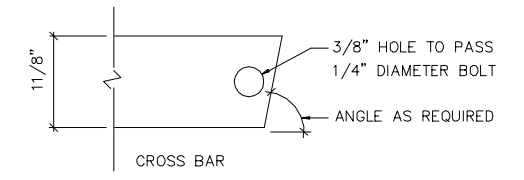


**3 SLAT/ STANDARD CONNECTION**  
SCALE: 1'-0" = 1'-0"  
Scale: 1'-0" = 1'-0"

**KENNETH LYNCH & SONS**  
114 WILLENBROCK ROAD OXFORD, CT 06478  
PHONE 203-264-2831 FAX 203-264-2833

<b>6752 CHILDS WORLDS FAIR BENCH</b>		
Scale FAX	Date 1/6/22	Drawn MTD
<b>RECYCLED PLASTIC SLATS</b>		<b>6' LONG</b>
<b>CHILD SCALE WF BENCH</b>		
CONTRACT #		
<b>#6752-6-RPL NYC</b>		

**5 CROSS BAR DETAIL**  
SCALE: 1'-0" = 1'-0"  
Scale: 1'-0" = 1'-0"



Scale: 3" = 1'-0"