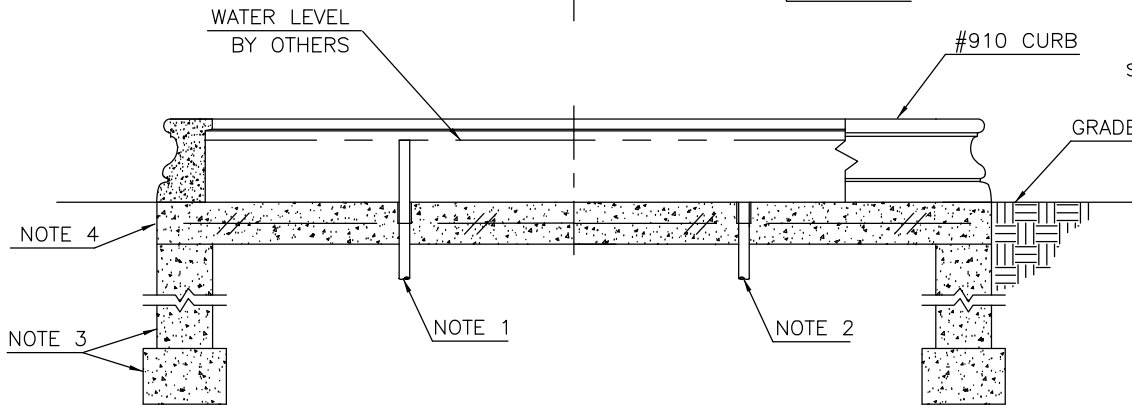
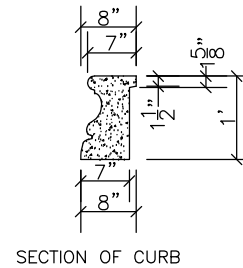


10' OUTSIDE DIA.
910 CURB



POOL CURBING SETTING and RECOMMENDED WATERPROOF MATERIALS

In order to properly set and waterproof the seams between the curbing sections and the concrete pad, we recommend that the following instructions be followed:

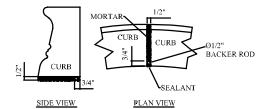
- 1) Prepare wood wedges 4" long tapering 0" - 1".
- 2) Layout pool full size on concrete pad.
- 3) Place all curbing pieces in their places on 3 - 4 wedges each, allowing for 1/2" grout space between and under sections (these will be removed at step 7).
- 4) Set up (tripod mounted) builders' level and level all sections perfectly. Remember that later the water will tell whether or not you did this step well.
- 5) make sure that all surfaces are totally clean of dust, dirt, debris, grease, oils, coatings, etc.
- 6) Grout front decorative joints with cementitious mortar, but allow for 3/4" depth of space on interior of pool joints, including area between cubing section and pad, for caulk material.
- 7) Once grout has set, remove wood wedges and fill in the void left by the wedges.
- 8) Insert 1/2" diameter backer rod into voids in interior of pool.
- 9) Fill in remaining 1/4" area with Sikaflex-1a Adhesive sealant, rounding the caulk bead as you go; the caulk should be shaped like an hourglass.
- 10) Entire interior of pool should then be coated with a rubberized pool paint or other flexible membrane.
- 11) Use provided touch up mix to cover and blend grout on top and outside of curbing.

Contact your local masonry supply warehouse for mortar, backer rod and Sika products.

Disclaimer:

These instructions are only recommendations; you may choose another method of installation that you are familiar with or that is more suitable to your area. At the present, this installation procedure provides the most secure, watertight installation that we are aware of. Please note that we reserve the right to change our recommendations at any time.

Although we are providing this recommendation we may not be held responsible for the installation or installation materials that are used. It is highly recommended to seek additional advice from other professional sources.



NOTES:

1. Incoming (make up) Water (by others). Set * bronze or copper coupling flush with concrete pool bottom (screwed connection).
 2. * Drain. Set * bronze or copper coupling flush with concrete pool bottom (screwed connection). Provide standpipe to maintain water depth.
 3. Footings to local code.
 4. 6" reinforced concrete slab. #4 rebar both ways spaced 6" apart and grounded.
 5. Set pool curbing using instructions on this sheet or equal. See fountain manufacturer's disclaimer.
 6. * Bronze electrical conduit. Bronze, submersible junction box provided by others. Locate 6" from dead center of fountain (see plan). Wire to code (power requirement for pump is 3/10 HP, 115 Volts. Figure any lighting load separately. Install when including fountain.
 7. All site work is specified by the owner and is, therefore, NOT the responsibility of the fountain manufacturer. It is shown here on request of the owner to clarify the installation for the site work contractor(s).
- * All piping determined according to local codes.

KENNETH LYNCH & SONS

114 Willenbrock Rd
Oxford CT 06478
203-264-2831 Fax: 203-264-2833

910 POOL		
Scale 3/4"=1'	Date: 8/23/03	Dr: S.L.A.
10' OD		
MAT'L: CAST STONE	#TYP-POOL	