



KENNETH LYNCH & SONS

ARMREST FOR CONCRETE AND WOOD BENCH

Introducing the New Armrest for the Concrete and Wood Bench

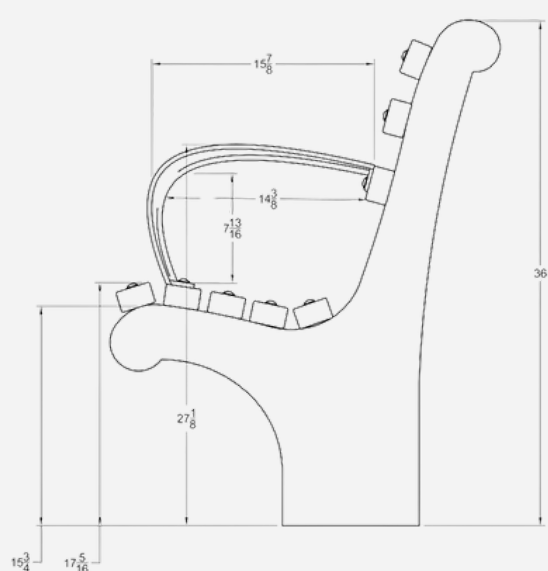
The ductile Iron Armrest (Item 3238A) is a new design to be used on the Concrete and Wood Bench, also know as the Christie Forsythe Bench. This concrete bench leg is available in various mounting configurations including slab, pier and surface mount installations.



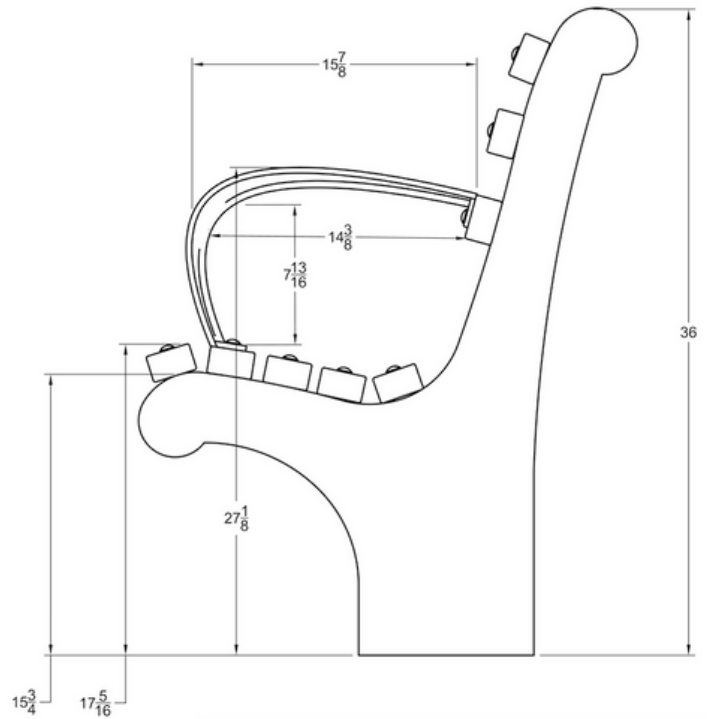
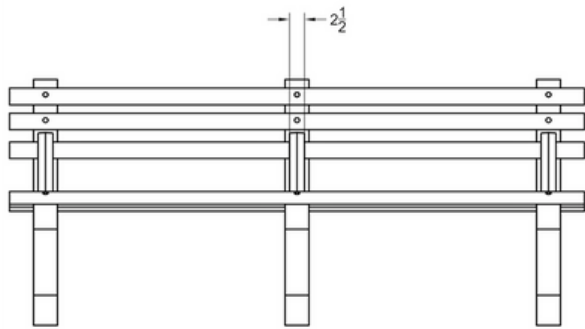
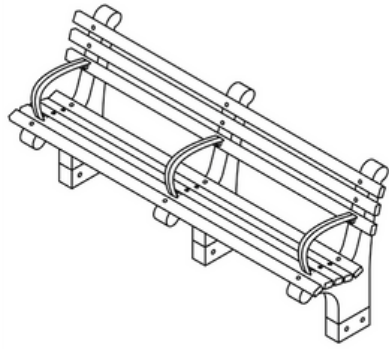
The new armrest is compatible with all versions, as the slat mounting pattern on each bench style is identical. This bench can be furnished with wood or recycled plastic lumber slats and the armrest will work with all lumber material.

The armrest can be retrofitted to any existing installed bench. With the removal of two bolts, a new longer bolt will capture the armrest and the wood slat. We took into account head entrapment restrictions to ensure the space created was not too restrictive.

Specifications: The 2 1/2" wide armrest design compliments the 4" wide concrete legs. Each arm weighs 8 pounds and is available in two finishes: galvanized or powder coated black. The T-shaped profile adds visual bulk as well as strength. The top of the armrest was designed to be almost flat, so that if someone chose to place a drink cup on it, it would not slide off.



ARMREST FOR CONCRETE AND WOOD BENCH



KENNETH LYNCH & SONS
 114 WILLENBROCK RD
 OXFORD, CT 06478
 203-264-2831
 INFO@KLYNCHANDSONS.COM

#3238-A ARMREST FOR ALL 3238 STYLE BENCHES		
Scale: 3"=1'-0"	Date: 1/5/2023	
DUCTILE IRON ARMREST FOR CONCRETE AND WOOD BENCH		
MAT'L: DUCTILE IRON, GALVANIZED	#3238A	

