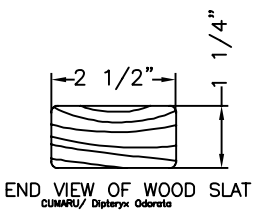
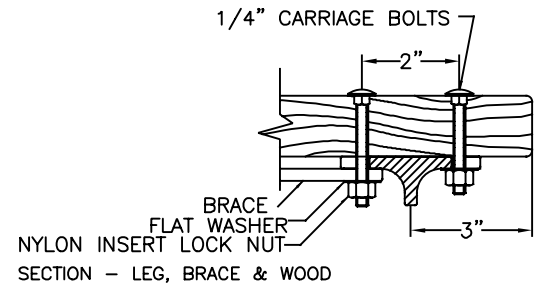
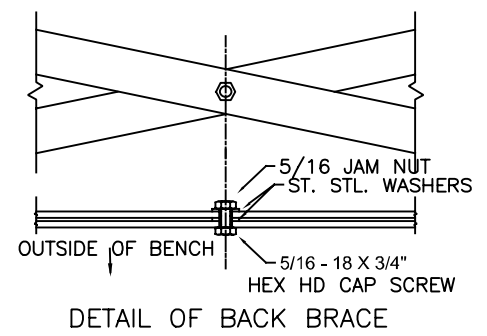


WHEN USED, ANCHOR BOLTS ARE TO BE INSTALLED IN EACH FOOT OF EACH LEG.



**MATERIALS:**  
 X-BRACING: 3/16" X 1 1/4" HOT ROLLED STEEL  
 BENCH LEGS: CAST DUCTILE IRON  
 WOOD SLATS: CUMARU (DIPTERYX ODORATA)  
 SMALL FASTENERS (CARRIAGE BOLTS, NUTS AND WASHERS) STAINLESS STEEL  
 TIE ROD: 5/8" DIA HOT ROLLED STEEL WITH 5/8 - 11 CUT THREADS & GALVANIZED STEEL HEX NUTS



**KENNETH LYNCH & SONS**  
 114 WILLENBROCK RD.  
 OXFORD, CT 06478  
 PH: 203-264-2831  
 INFO@KLYNCHANDSONS.COM

<b>6737 WORLDS FAIR BENCH</b>		
Scale FAX	Date 5/1/2024	Drawn T.J.D.
NATURAL CUMARU		8' LONG
3 LEGS	CONTRACT #	
6737-8-CU-2024		