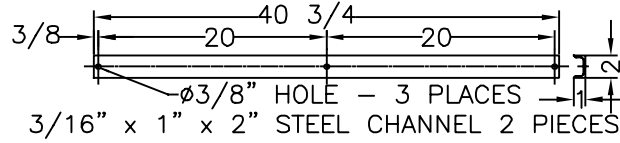
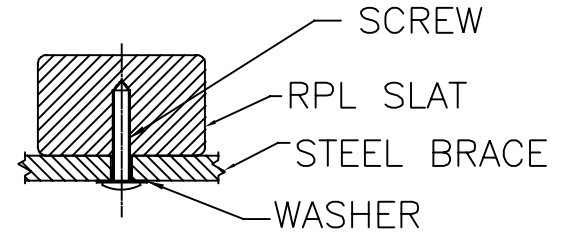


PLAN VIEW

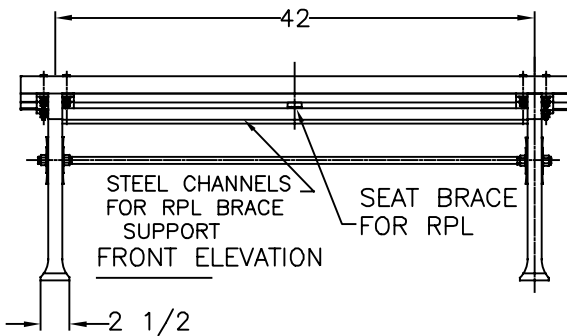
PIN-IN-TORX TAMPER
 RESIST SHEET METAL SCREW 18-8 STAINLESS
 STEEL, BUTTON HEAD, NO 14 SIZE, 1-1/2" LENGTH
 NOT VISIBLE FROM FRONT OF BENCH



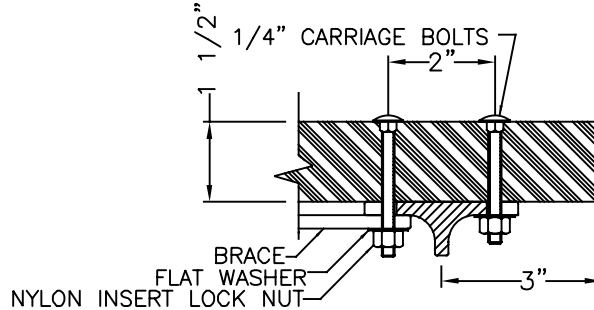
3/16" x 1" x 2" STEEL CHANNEL 2 PIECES



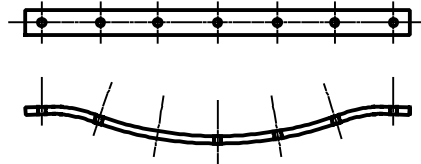
SECTION VIEW
 OF RPL BENCH SLAT WITH
 BRACE & SCREW - USED
 ON SEAT BRACES, ATTACHED
 FROM BOTTOM -
 7 REQUIRED



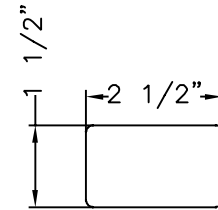
FRONT ELEVATION



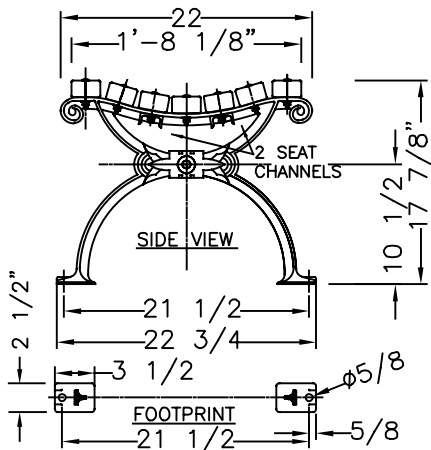
SEAT BRACE FOR RPL
 3/8" X 1 1/4" HRS.
 1 REQUIRED



SEAT BRACE FOR RPL
 3/8" X 1 1/4" HRS.
 1 REQUIRED



END VIEW OF RPL SLAT
 RECYCLED
 PLASTIC LUMBER



SIDE VIEW

FOOTPRINT

WHEN USED, ANCHOR
 BOLTS ARE TO BE
 INSTALLED IN EACH
 FOOT OF EACH LEG.

COLOR:

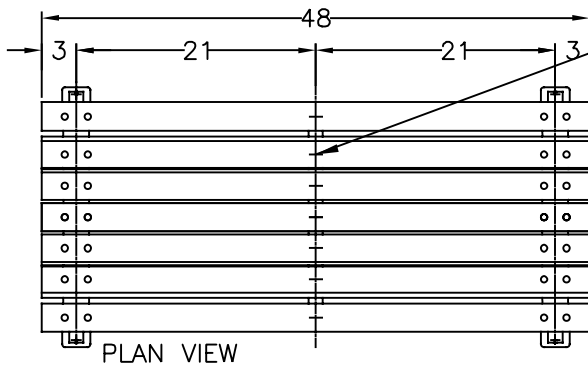
RPL _____
 CI & STEEL: BLACK
 MATERIALS:

BENCH LEGS: CAST DUCTILE IRON
 SEAT SLATS: RECYCLED PLASTIC LUMBER (RPL)
 SMALL FASTENERS (CARRIAGE BOLTS, NUTS AND
 WASHERS) STAINLESS STEEL
 TIE ROD: 5/8" DIA HOT ROLLED STEEL WITH
 5/8 - 11 CUT THREADS & STEEL HEX NUTS
 LONG BRACE: 3/16" x 1" x 2" STEEL CHANNEL

**KENNETH LYNCH
 & SONS**

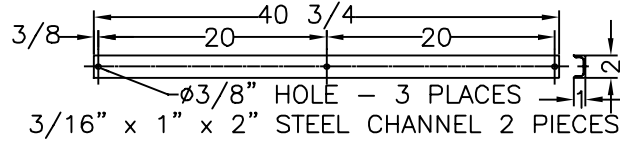
114 WILLENBROCK RD.
 OXFORD, CT 06478
 PH: 203-264-2831
 INFO@KLYNCHANDSONS.COM

6736 WORLDS FAIR BACKLESS BENCH		
Scale FAX	Date 4/1/24	Drawn T.J.D.
RECYCLED PLASTIC SLATS		4' LONG
2 LEGS	CONTRACT #	
6736-4-RPL-FX-2022		

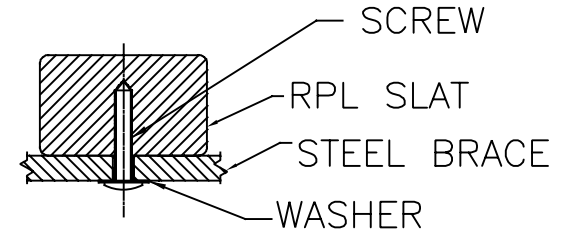


PLAN VIEW

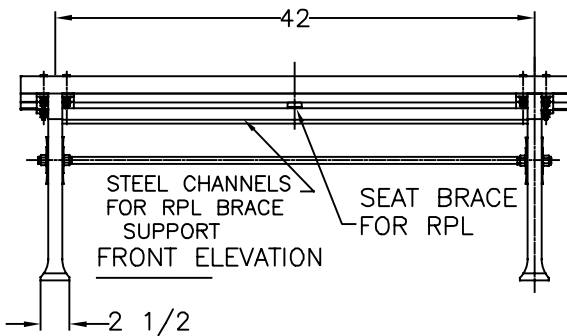
PIN-IN-TORX TAMPER
 RESIST SHEET METAL SCREW 18-8 STAINLESS
 STEEL, BUTTON HEAD, NO 14 SIZE, 1-1/2" LENGTH
 NOT VISIBLE FROM FRONT OF BENCH



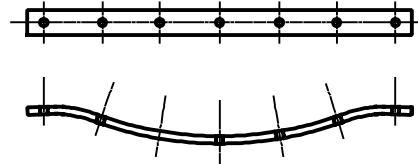
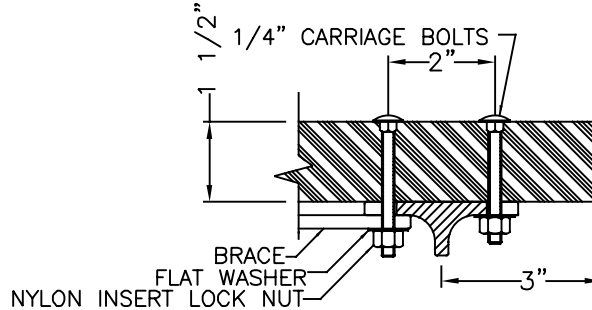
3/16" x 1" x 2" STEEL CHANNEL 2 PIECES



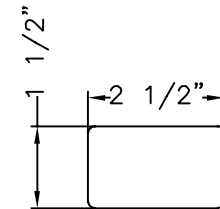
SECTION VIEW
 OF RPL BENCH SLAT WITH
 BRACE & SCREW - USED
 ON SEAT BRACES, ATTACHED
 FROM BOTTOM -
 7 REQUIRED



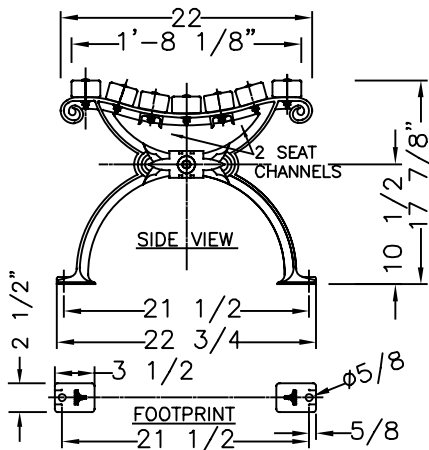
STEEL CHANNELS FOR RPL BRACE SUPPORT
 SEAT BRACE FOR RPL
 FRONT ELEVATION



SEAT BRACE FOR RPL
 3/8" X 1 1/4" HRS.
 1 REQUIRED



END VIEW OF RPL SLAT
 RECYCLED
 PLASTIC LUMBER



SIDE VIEW

FOOTPRINT

WHEN USED, ANCHOR BOLTS ARE TO BE INSTALLED IN EACH FOOT OF EACH LEG.

COLOR:

RPL _____
 CI & STEEL: BLACK
 MATERIALS:

BENCH LEGS: CAST DUCTILE IRON
 SEAT SLATS: RECYCLED PLASTIC LUMBER (RPL)
 SMALL FASTENERS (CARRIAGE BOLTS, NUTS AND WASHERS) STAINLESS STEEL
 TIE ROD: 5/8" DIA HOT ROLLED STEEL WITH 5/8 - 11 CUT THREADS & STEEL HEX NUTS
 LONG BRACE: 3/16" x 1" x 2" STEEL CHANNEL

KENNETH LYNCH & SONS

114 WILLENBROCK RD.
 OXFORD, CT 06478
 PH: 203-264-2831

INFO@KLYNCHANDSONS.COM

6736 WORLDS FAIR BACKLESS BENCH		
Scale FAX	Date 4/1/24	Drawn T.J.D.
RECYCLED PLASTIC SLATS		4' LONG
2 LEGS	CONTRACT #	
6736-4-RPL-FX-2022		