

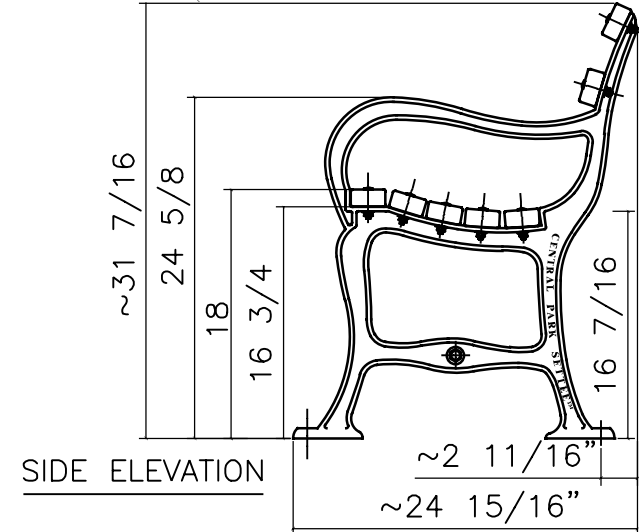
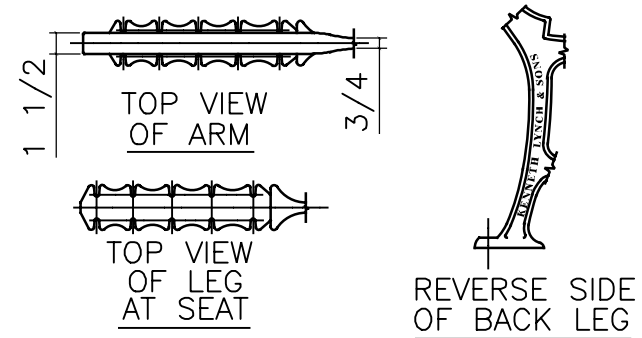
REAR ELEVATION OF UPPER LEG

8 FOOT BENCH

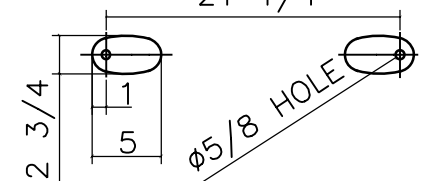
LENGTH OF AVAILABLE BENCHES: 4', 5', 6' 8'  
BENCHES OF LESS THAN 8' LENGTH HAVE 2 LEGS

COLOR NOTES:

IRON PARTS POWDER COAT SEMI GLOSS BLACK



SIDE ELEVATION



BOTTOM VIEW OF FEET

MATERIALS:

BENCH LEGS: CAST DUCTILE IRON  
WOOD SLATS: CUMARU/ DIPTERYX ODORATA  
SMALL FASTENERS (CARRIAGE BOLTS, NUTS AND WASHERS) STAINLESS STEEL  
TIE ROD: 5/8" DIA HOT ROLLED STEEL WITH 5/8 - 11 CUT THREADS & STEEL HEX NUTS

©2010 Kenneth Lynch & Sons  
Oxford CT 06478

**KENNETH LYNCH & SONS**

114 WILLENBROCK ROAD OXFORD, CT 06478  
PHONE 203-264-2831 INFO@KLYNCHANDSONS.COM

#6735B 8' CENTRAL PARK SETTEE		
Scale NTS	Date 5/7/2024	Drawn S.L.A.
INTEGRAL ARMS	NATURAL CUMARU	
MAT: SEE NOTES	#6735B-8-2024	