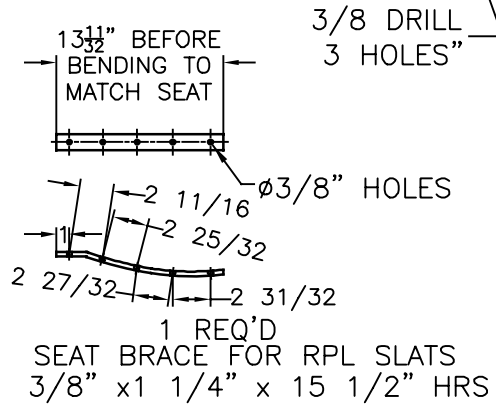
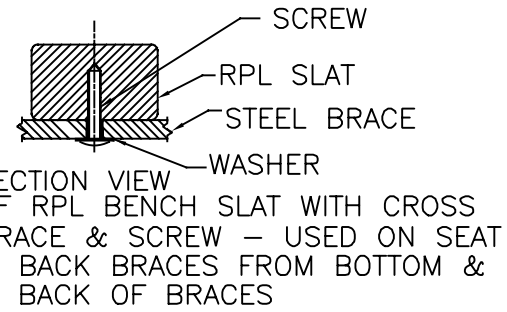
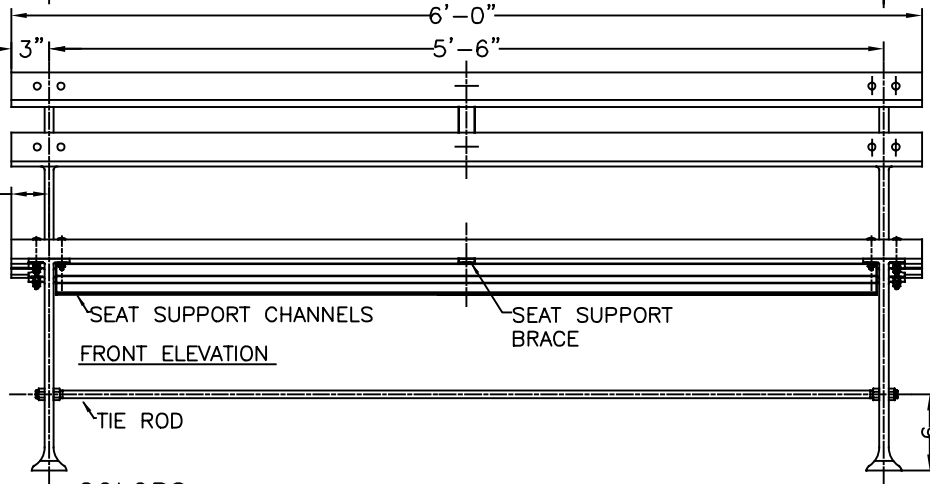
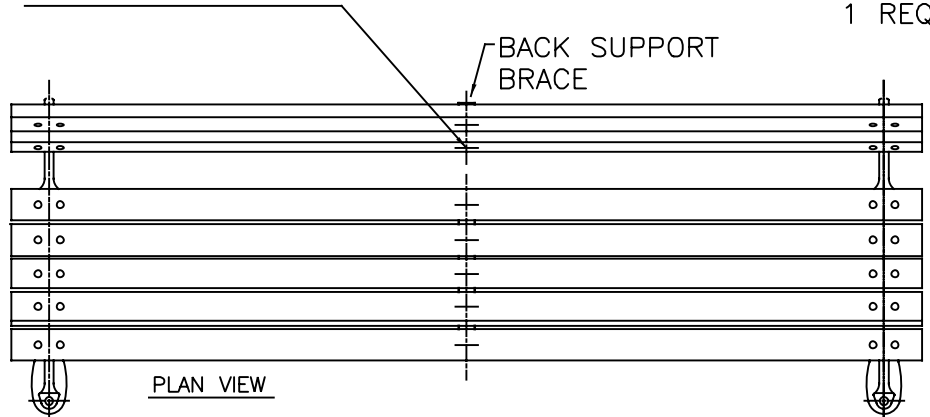
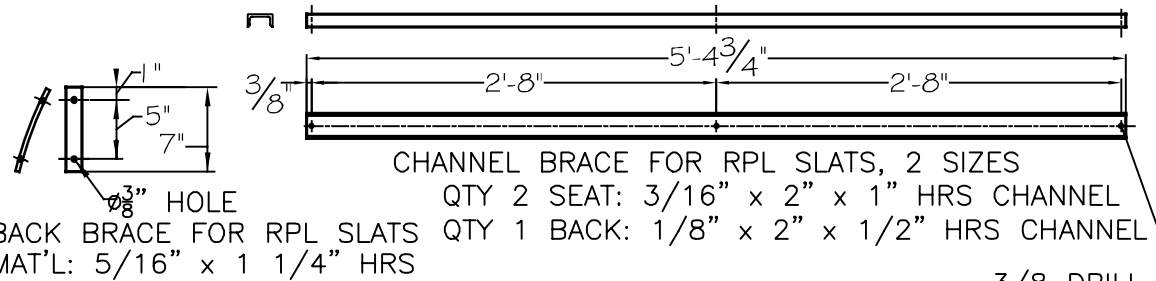
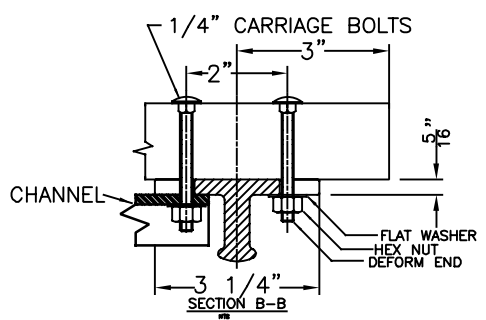
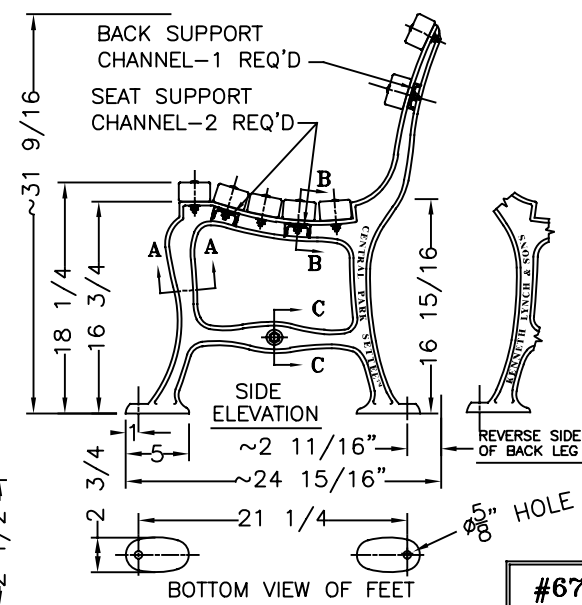


RPL IS HELD TO THE BRACES BY TAPERED SCREWS WHICH ARE DRIVEN INTO THE RPL FROM THE BACK AND BOTTOM AND ARE NOT VISIBLE FROM ABOVE. PIN-IN-TORX TAMPER RESIST SHEET METAL SCREW 18-8 STAINLESS STEEL, BUTTON HEAD, #14- 1-1/2" NOT VISIBLE FROM FRONT OF BENCH.



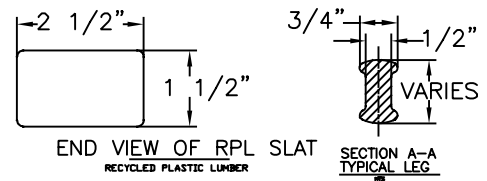
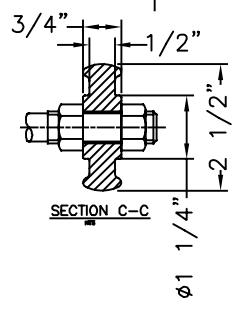
6 FOOT BENCH
 LENGTH OF AVAILABLE BENCHES: 4', 5', 6', 8'
 8" BENCHES HAVE 3 LEGS



KENNETH LYNCH & SONS
 114 WILLENBROCK ROAD
 OXFORD, CT 06478
 PHONE 203-264-2831
 INFO@KLYNCHANDSONS.COM

COLORS:
 CI & STEEL: BLACK POWDER COAT

MATERIALS:
 BENCH LEGS: CAST DUCTILE IRON
 SLAT BRACES: HRS STRAPS & CHANNEL
 SLATS: RECYCLED PLASTIC LUMBER (RPL)
 SMALL FASTENERS (CARRIAGE BOLTS, NUTS AND WASHERS) STAINLESS STEEL
 TIE ROD: 5/8" DIA HOT ROLLED STEEL WITH 5/8 - 11 CUT THREADS & STEEL HEX NUTS



#6735 6' CENTRAL PARK SETTEE		
Scale FAX	Date 5/7/2024	Drawn S.L.A.
RECYCLED PLASTIC SLATS		6' LONG
CONTRACT #		
MAT'L AS NOTED	#6735-6-RPL-2024	