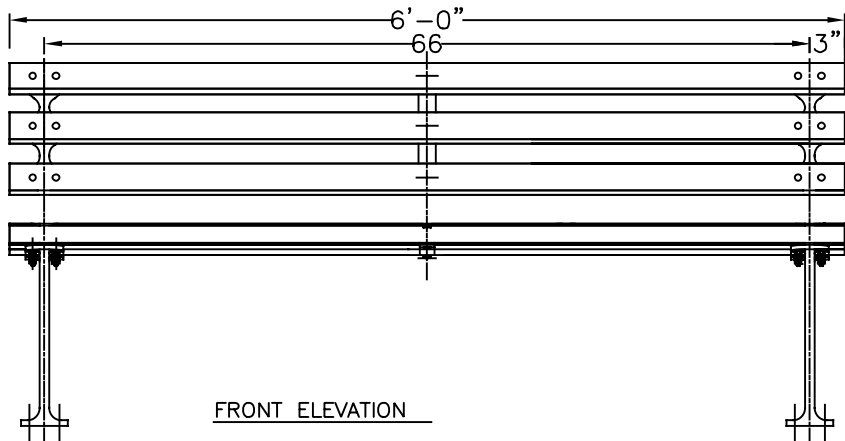
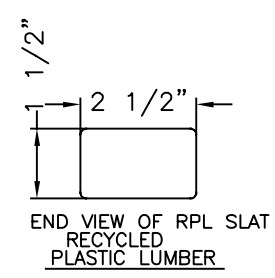
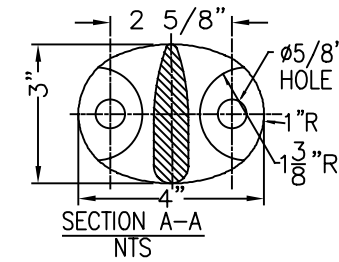
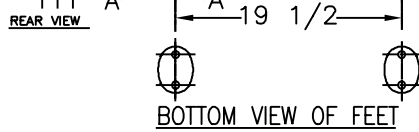
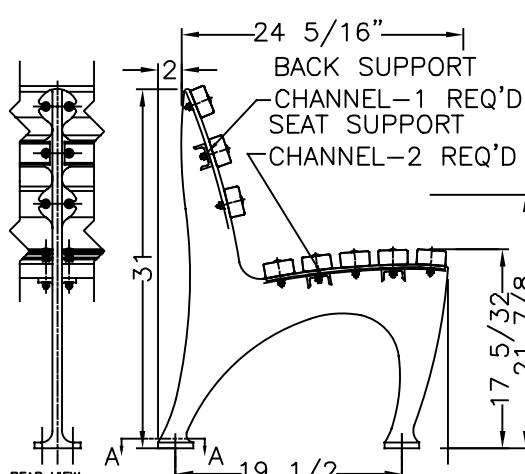


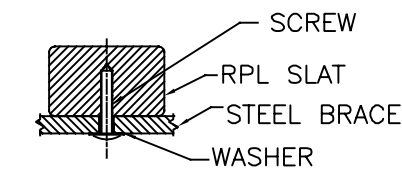
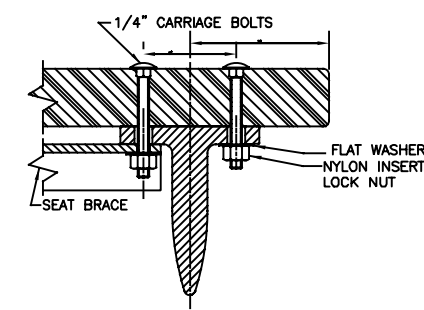
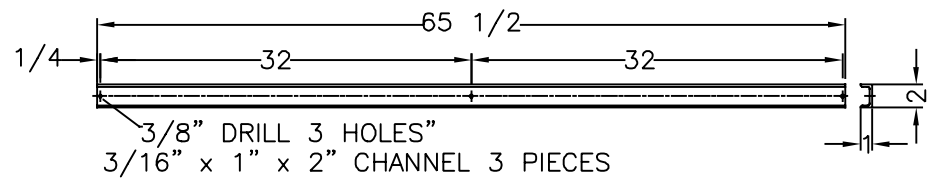
PLAN VIEW



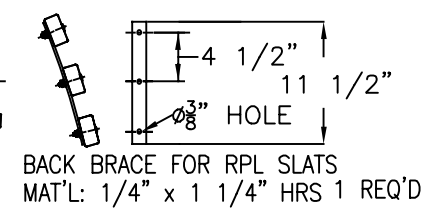
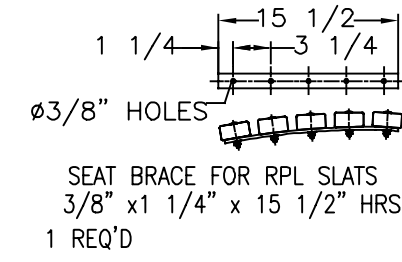
FRONT ELEVATION



PIN-IN-TORX TAMPER RESIST SHEET METAL SCREW 18-8 STAINLESS STEEL, BUTTON HEAD, NO 14 SIZE, 1-1/2" LENGTH NOT VISIBLE FROM FRONT OF BENCH



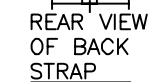
SECTION VIEW OF RPL BENCH SLAT WITH CROSS BRACE & SCREW - USED ON SEAT & BACK BRACES FROM BOTTOM & BACK OF BRACES - 8 REQUIRED



COLOR:
RPL _____
CI & STEEL: GALVANIZED

MATERIALS:
BENCH LEGS: CAST DUCTILE IRON
BENCH SLATS: RPL (RECYCLED PLASTIC LUMBER)
SMALL FASTENERS (CARRIAGE BOLTS, NUTS, WASHERS & SCREWS) = STAINLESS STEEL
BRACES FOR RPL:
2"x1" x 3/16" STEEL CHANNEL
3/8"x1 1/4" HRS & 1/4"x1 1/4" HRS

WHEN USED, ANCHOR BOLTS ARE TO BE INSTALLED IN EACH FOOT OF EACH LEG.



KENNETH LYNCH & SONS
114 WILLENBROCK RD.
OXFORD, CT 06478
PH: 203-264-2831
INFO@KLYNCHANDSONS.COM

6733 1964 WORLDS FAIR BENCH		
Scale FAX	Date 5/13/2024	Drawn T.J.D.
RECYCLED PLASTIC SLATS		6' LONG
2 LEGS	CONTRACT #	
6733-6-RPL-GALV-2024		