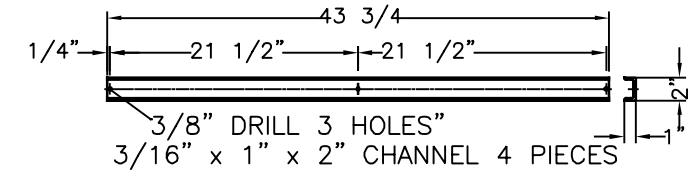
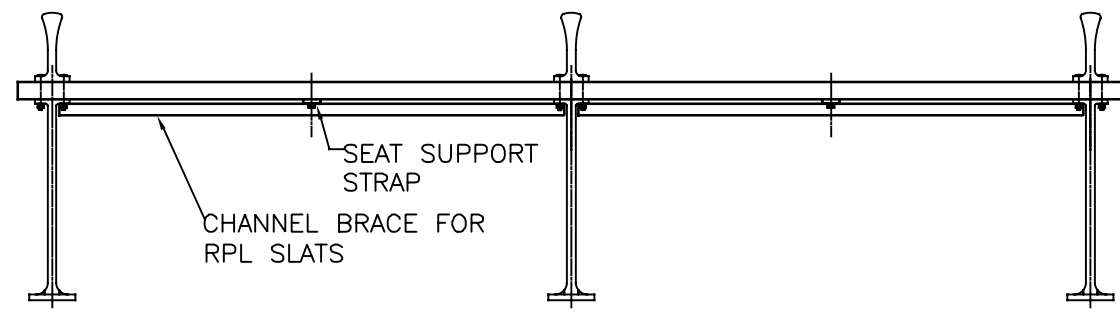


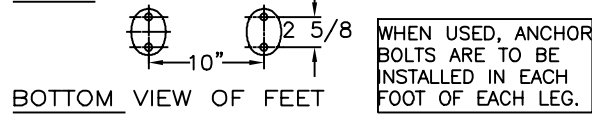
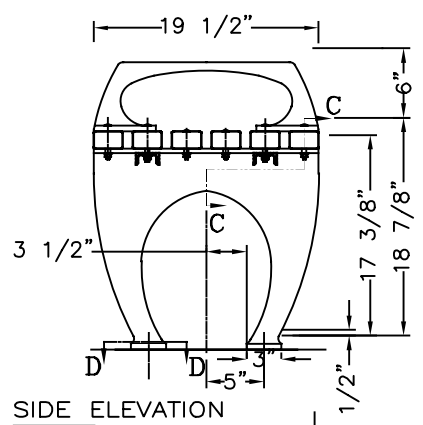
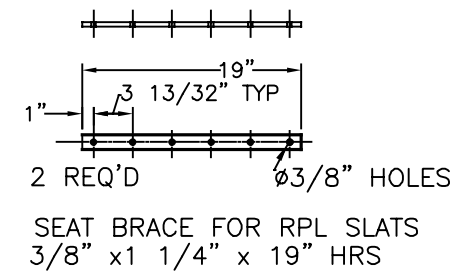
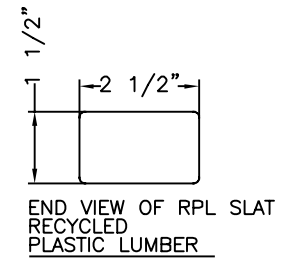
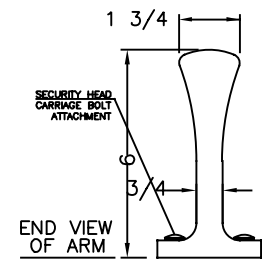
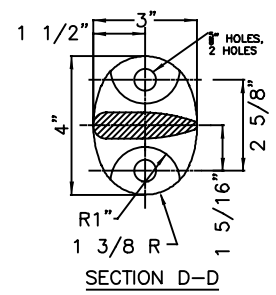
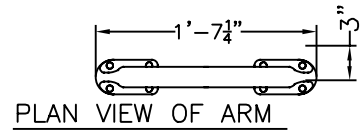
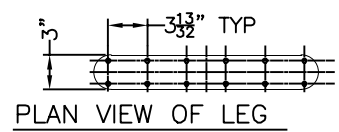
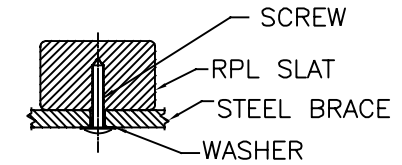
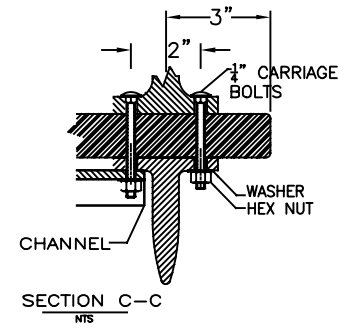
PIN-IN-TORX TAMPER
 RESIST SHEET METAL SCREW 18-8 STAINLESS
 STEEL, BUTTON HEAD, NO 14 SIZE, 1-1/2" LENGTH
 NOT VISIBLE FROM FRONT OF BENCH



PLAN VIEW



FRONT ELEVATION



WHEN USED, ANCHOR BOLTS ARE TO BE INSTALLED IN EACH FOOT OF EACH LEG.

COLOR:
 RPL _____
 CI & STEEL: GALVANIZED IRON

MATERIALS:
 BENCH LEGS & ARMS: GALVANIZED IRON
 RPL BRACES: 3/8" X 1 1/4" HRS
 3/16" X 1" X 2" STEEL CHANNEL

SLATS: RECYCLED PLASTIC LUMBER (RPL)
 SMALL FASTENERS (CARRIAGE BOLTS, NUTS, WASHERS & SCREWS): STAINLESS STEEL

KENNETH LYNCH & SONS
 114 WILLENBROCK RD.
 OXFORD, CT 06478
 PH: 203-264-2831
 INFO@KLYNCHANDSONS.COM

| | | |
|-------------------------------------|-------------|----------------|
| 6731A 1964 WORLDS FAIR BENCH | | |
| Scale FAX | Date 6/8/22 | Drawn T.J.D. |
| RECYCLED PLASTIC SLATS | | 8' LONG |
| 3 LEGS | CONTRACT # | |
| 6731A-8-RPL-FX-2022 | | |