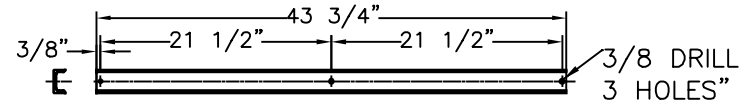
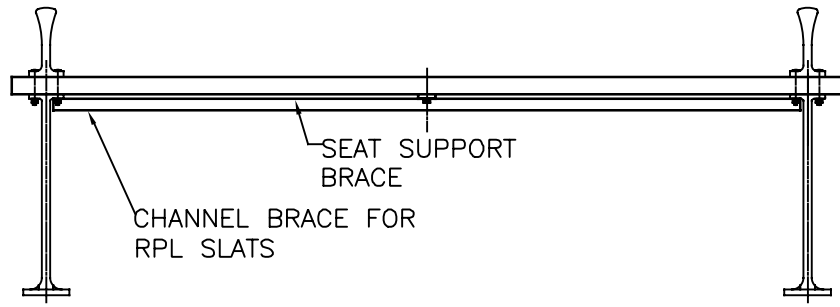


PLAN VIEW

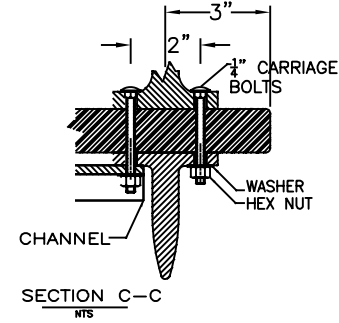
PIN-IN-TORX TAMPER RESIST SHEET METAL SCREW 18-8 STAINLESS STEEL, BUTTON HEAD, NO 14 SIZE, 1-1/2" LENGTH NOT VISIBLE FROM FRONT OF BENCH



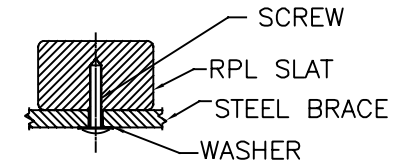
CHANNEL BRACE FOR RPL SLATS  
3/16" x 2" x 1" STEEL CHANNEL 2 REQUIRED



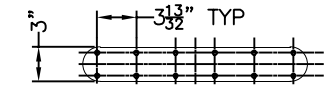
FRONT ELEVATION



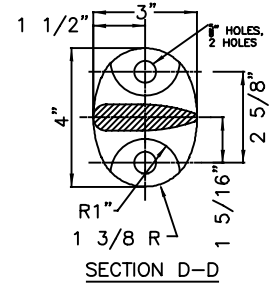
SECTION C-C



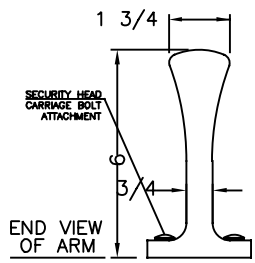
SECTION VIEW OF RPL BENCH SLAT WITH CROSS BRACE & SCREW - USED ON SEAT & BACK BRACES FROM BOTTOM & BACK OF BRACES - 6 REQUIRED



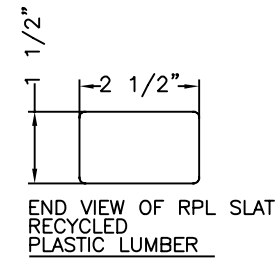
PLAN VIEW OF LEG



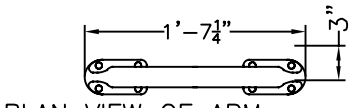
SECTION D-D



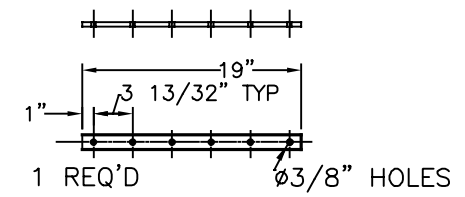
END VIEW OF ARM



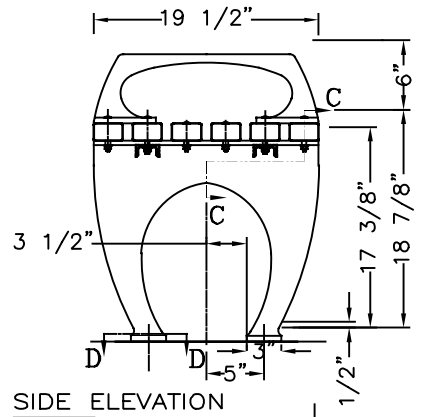
END VIEW OF RPL SLAT RECYCLED PLASTIC LUMBER



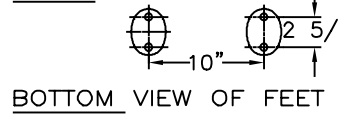
PLAN VIEW OF ARM



SEAT BRACE FOR RPL SLATS  
3/8" x 1 1/4" x 19" HRS



SIDE ELEVATION



BOTTOM VIEW OF FEET

WHEN USED, ANCHOR BOLTS ARE TO BE INSTALLED IN EACH FOOT OF EACH LEG.

COLOR:  
RPL \_\_\_\_\_  
CI & STEEL: GALVANIZED IRON

MATERIALS:  
BENCH LEGS & ARMS: GALVANIZED IRON  
RPL BRACES: 3/8" X 1 1/4" HRS  
3/16" X 1" X 2" STEEL CHANNEL

SLATS: RECYCLED PLASTIC LUMBER (RPL)  
SMALL FASTENERS (CARRIAGE BOLTS, NUTS, WASHERS & SCREWS): STAINLESS STEEL

**KENNETH LYNCH & SONS**  
114 WILLENBROCK RD.  
OXFORD, CT 06478  
PH: 203-264-2831  
INFO@KLYNCHANDSONS.COM

6731A 1964 WORLDS FAIR BENCH		
Scale FAX	Date 8/12/22	Drawn T.J.D.
RECYCLED PLASTIC SLATS		6' LONG
2 LEGS	CONTRACT #	
6731A-6-RPL-FX-2022		