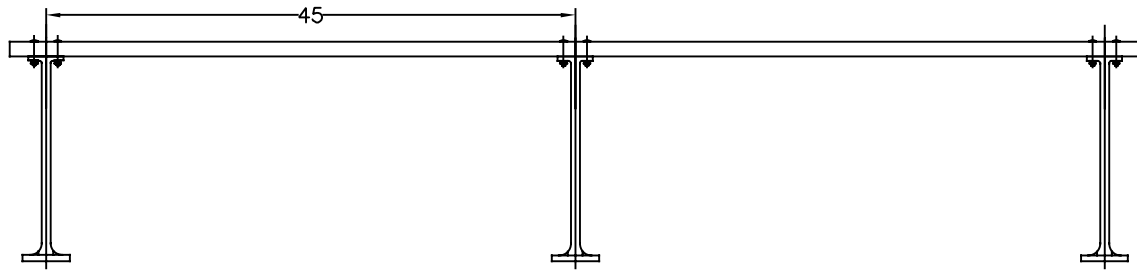
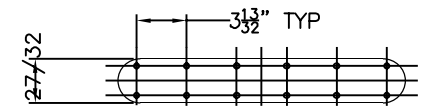


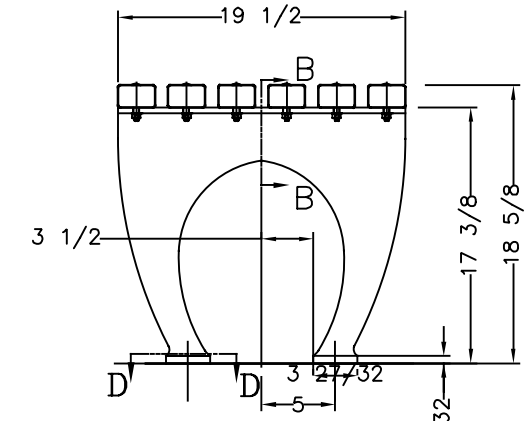
PLAN VIEW



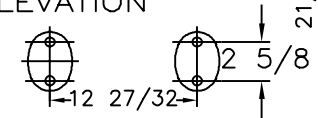
FRONT ELEVATION



PLAN VIEW OF LEG

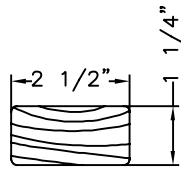


SIDE ELEVATION

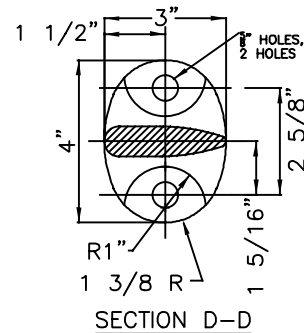


BOTTOM VIEW OF FEET

WHEN USED, ANCHOR BOLTS ARE TO BE INSTALLED IN EACH FOOT OF EACH LEG.

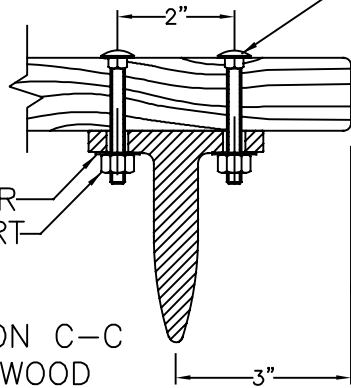


END VIEW OF WOOD SLAT



SECTION D-D

1/4" CARRIAGE BOLTS



FLAT WASHER  
NYLON INSERT  
LOCK NUT

SECTION C-C  
WITH WOOD

MATERIALS:

BENCH LEGS & ARMS: BLACK STEEL  
SLATS: CUMARU / DIPTERYX ODORATA  
SMALL FASTENERS (CARRIAGE BOLTS, NUTS, WASHERS & SCREWS): STAINLESS STEEL

**KENNETH LYNCH  
& SONS**

114 WILLENBROCK RD.  
OXFORD, CT 06478  
PH: 203-264-2831

INFO@KLYNCHANDSONS.COM

<b>6731 1964 WORLDS FAIR BENCH</b>		
Scale FAX	Date 5/14/2024	Drawn T.J.D.
NATURAL CUMARU		8' LONG
3 LEGS	CONTRACT #	
6731-8-CU-2024		