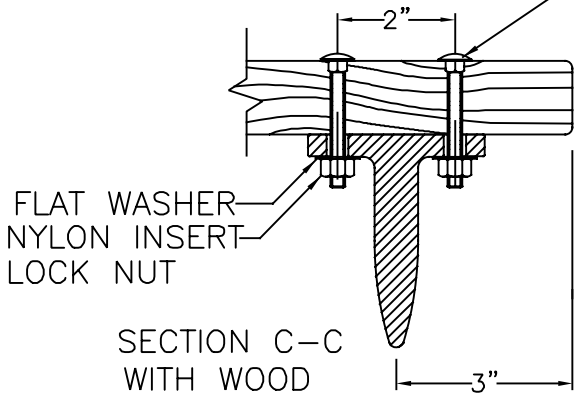


WHEN USED, ANCHOR BOLTS ARE TO BE INSTALLED IN EACH FOOT OF EACH LEG.



MATERIALS:

BENCH LEGS & ARMS: BLACK STEEL  
SLATS: CUMARU / DIPTERYX ODORATA  
SMALL FASTENERS (CARRIAGE BOLTS, NUTS, WASHERS & SCREWS): STAINLESS STEEL

**KENNETH LYNCH & SONS**

114 WILLENBROCK RD.  
OXFORD, CT 06478  
PH: 203-264-2831  
INFO@KLYNCHANDSONS.COM

6731 1964 WORLDS FAIR BENCH		
Scale FAX	Date 5/14/2024	Drawn T.J.D.
NATURAL CUMARU		4' LONG
2 LEGS	CONTRACT #	
6731-4-CU-2024		