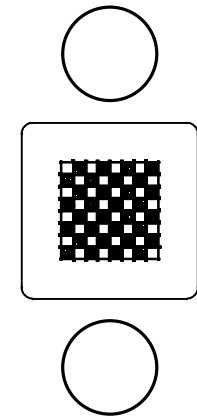
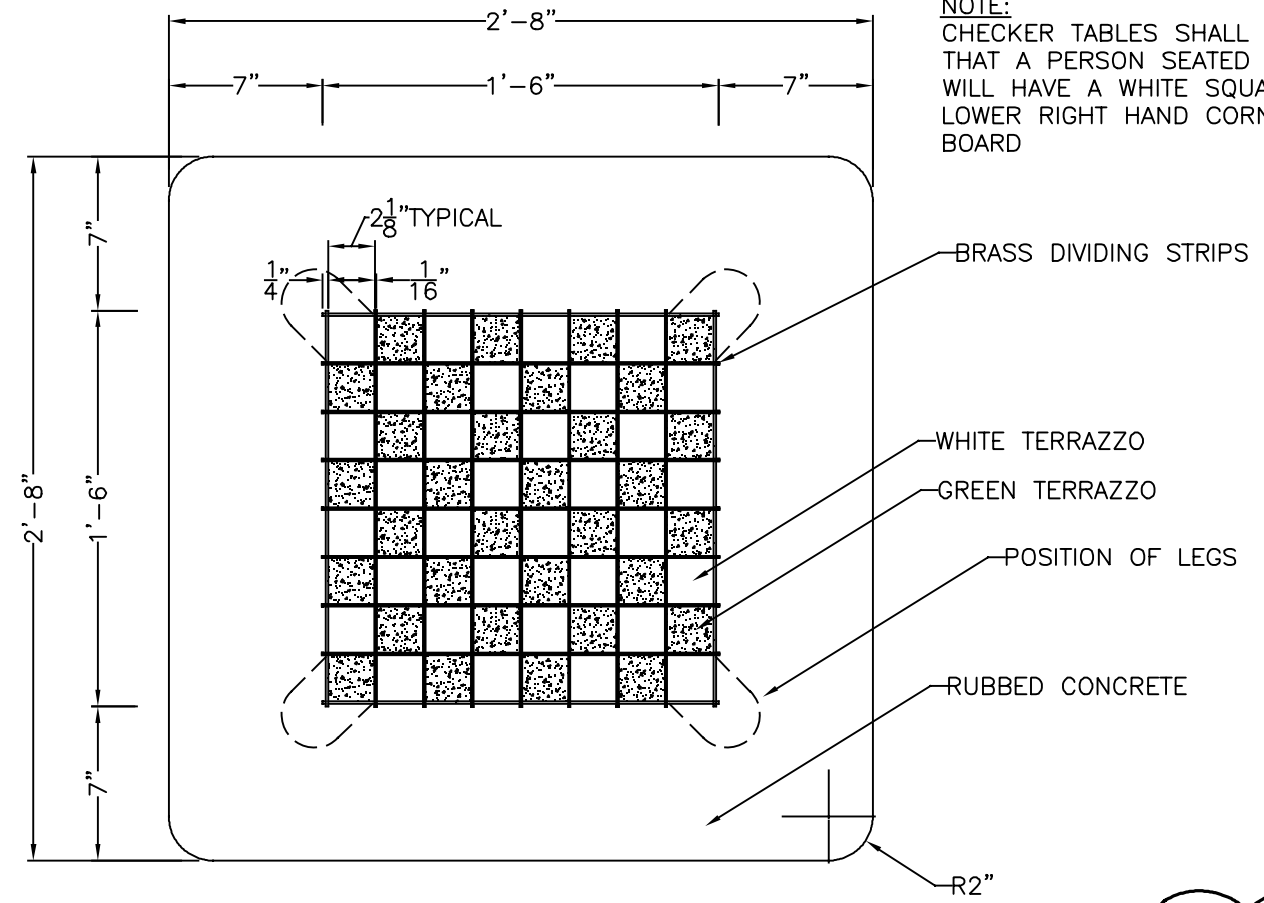


PLAN SHOWING REBAR PACKAGE

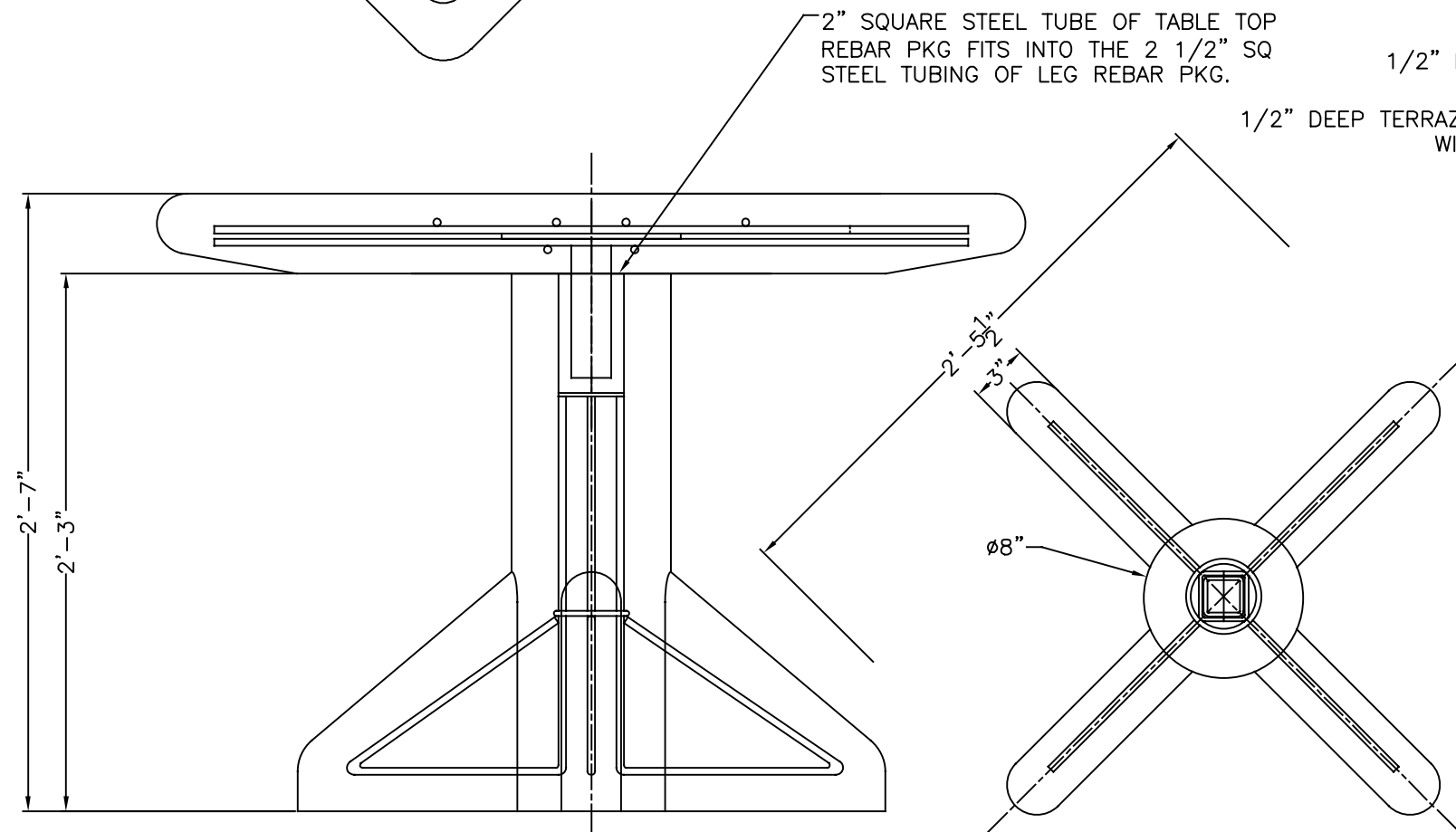


PLAN VIEW OF TABLE WITH TWO 466B-S STOOLS  
SCALE 1"=1'-0"



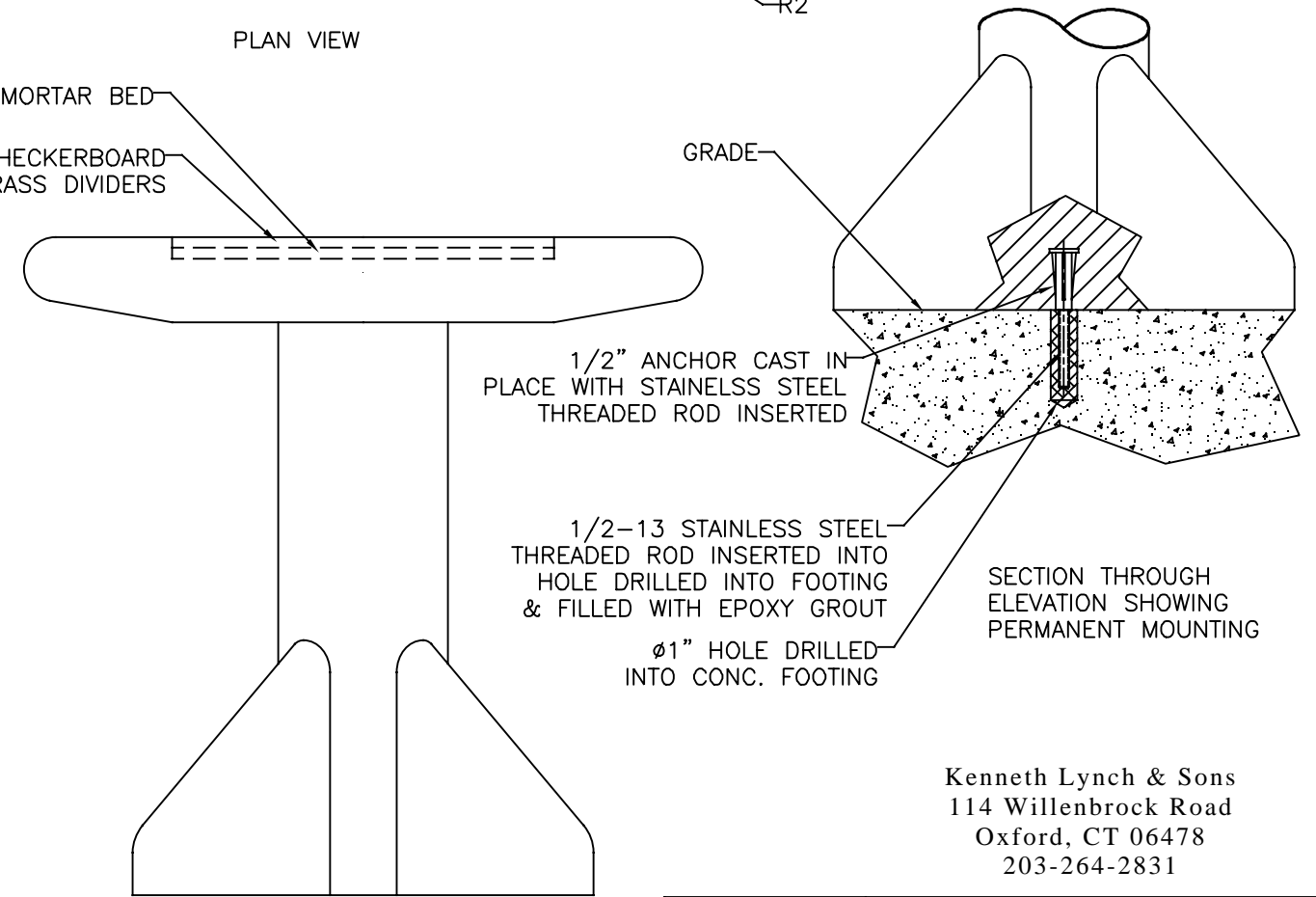
NOTE:  
CHECKER TABLES SHALL BE SET SO THAT A PERSON SEATED ON THE BENCH WILL HAVE A WHITE SQUARE IN THE LOWER RIGHT HAND CORNER OF THE BOARD

PLAN VIEW



ELEVATION SHOWING REBAR PACKAGE

PLAN VIEW OF LEG SHOWING REBAR PACKAGE



ELEVATION

Kenneth Lynch & Sons  
114 Willenbrock Road  
Oxford, CT 06478  
203-264-2831

Date Revised:	Drawn By:	<b>466FS2 MOVABLE TABLE</b>		
6/21/06	S.L.A.	Scale: 3"=1'-0"	Date: 6/3/05	Drawn: SLA
11/28/12	S.L.A.	<b>MULTI VIEWS</b>		
		MAT'L: CAST STONE	466FS2	