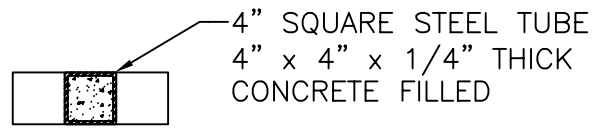
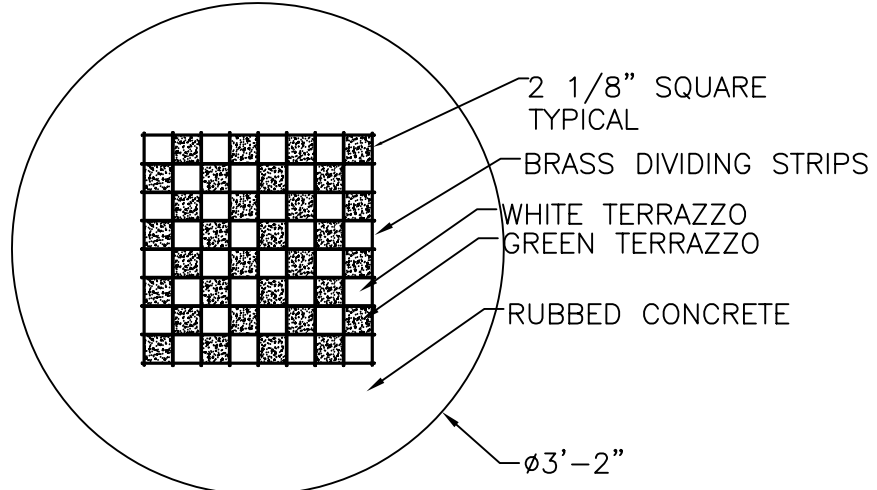


ELEVATION - FULL SECTION



SECTION A-A



PLAN VIEW

NOTE:
 CHECKER TABLES SHALL BE SET SO THAT A PERSON SEATED ON THE BENCH WILL HAVE A WHITE SQUARE IN THE LOWER RIGHT HAND CORNER OF THE BOARD

KENNETH LYNCH & SONS
 114 WILLENBROCK ROAD
 OXFORD, CT 06478
 PHONE 203-264-2831
 FAX 203-264-2833

Date Revised:	Drawn By:	466C ROUND GAME TABLE	
10/21/10	S.L.A.	Scale: FAX	Date: 10/07/10
		DRAWN: S.L.A.	
		SQUARE STEEL TABLE LEG	
		MAT'L: CAST STONE	#466C-R-FX