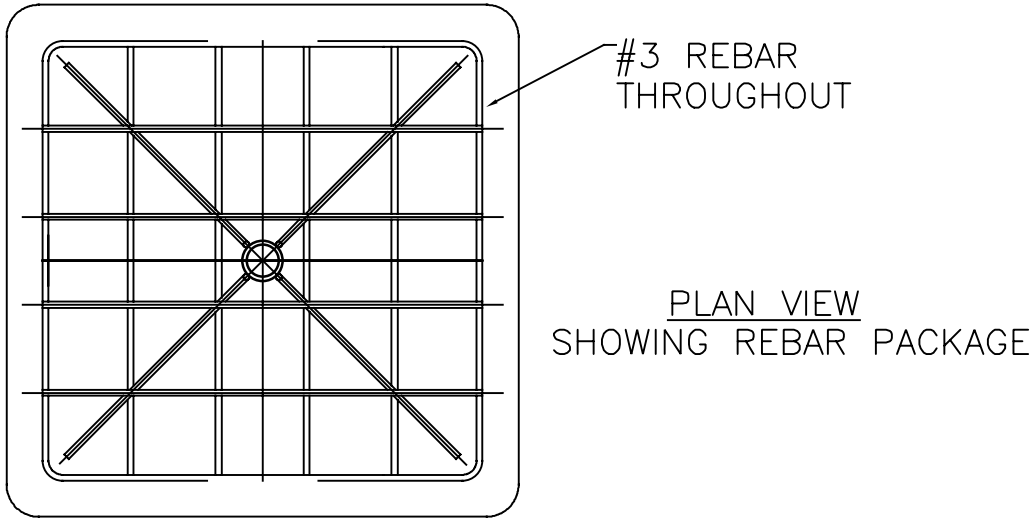
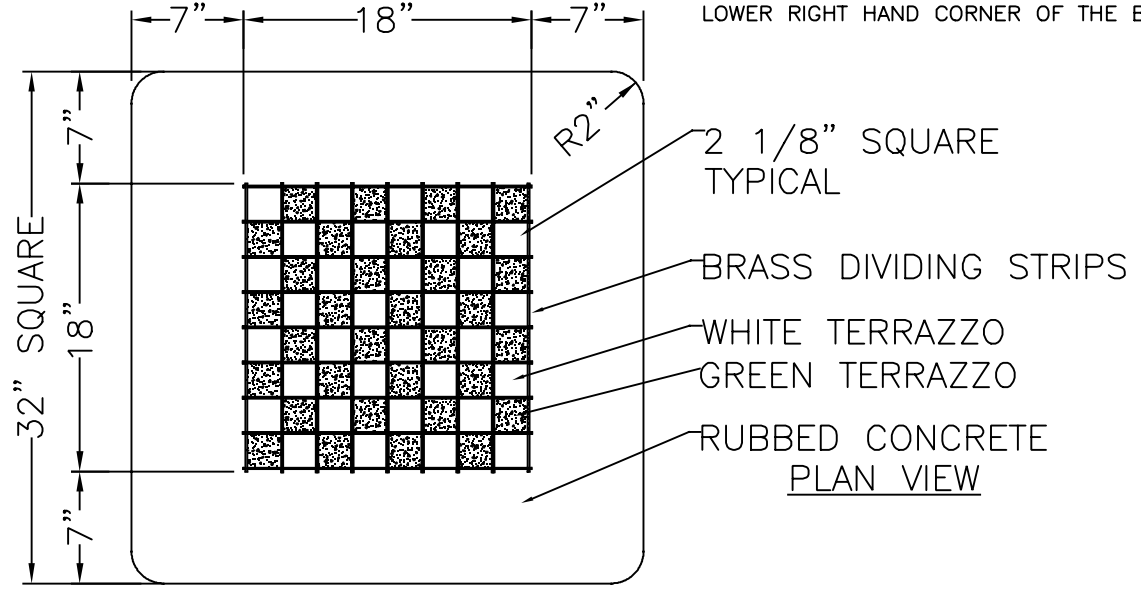
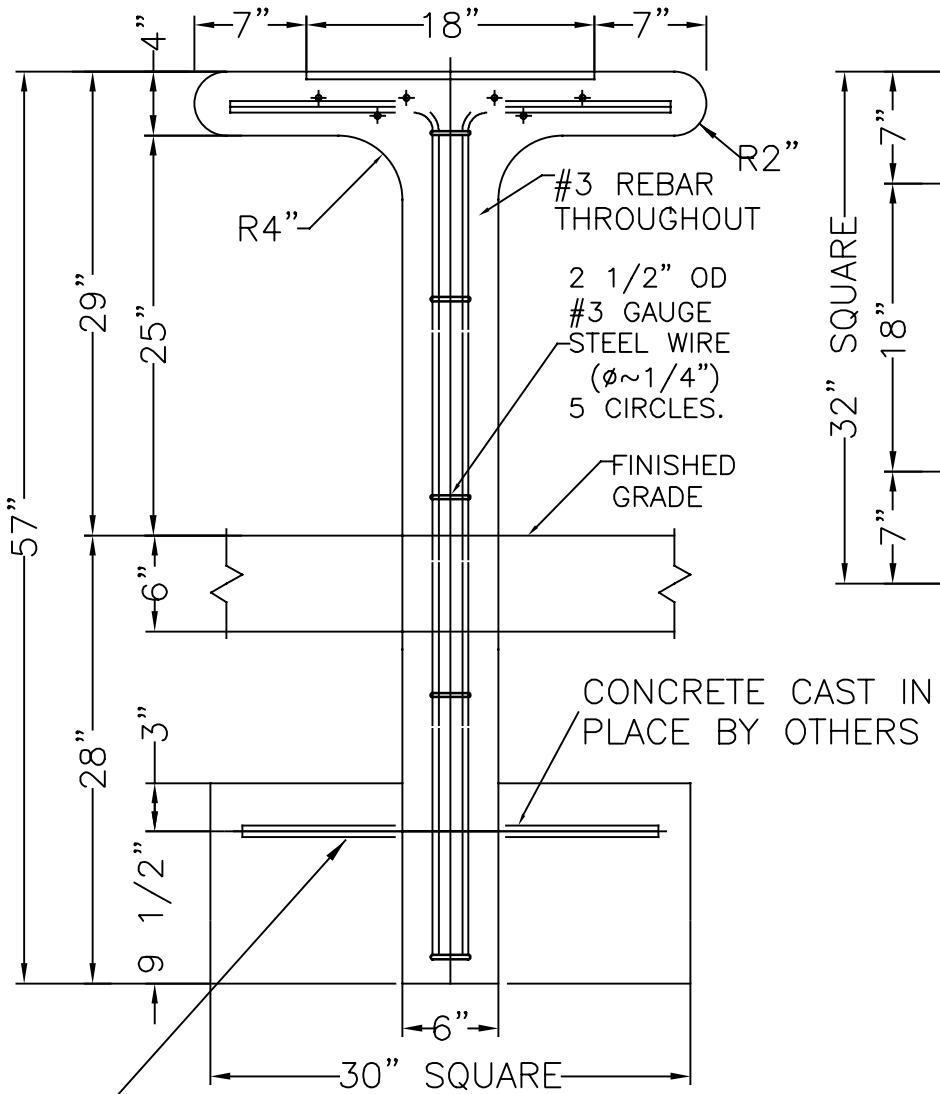


NOTE:
 CHECKER TABLES SHALL BE SET SO
 THAT A PERSON SEATED ON THE BENCH
 WILL HAVE A WHITE SQUARE IN THE
 LOWER RIGHT HAND CORNER OF THE BOARD



#6 HORIZONTAL REBARS
 26" LONG RECOMMENED LENTGH, BY OTHERS
 THROUGH PRE-CAST HOLE IN STEM

ELEVATION IN SECTION

GRAFITTI RESISTANT COATING:
 PROFESSIONAL PRODUCTS OF KANSAS
 PROFESSIONAL WATER SEALANT,PWS-8. TWO COATS
 SHOP APPLIED TO ALL EXPOSED PARTS OF NCRETE
 TABLE TOP. FIRST COAT ALLOWED TO DRY TO
 THE TOUCH BEFORE SECOND COAT
 APPLIED.

KENNETH LYNCH & SONS
 114 WILLENBROCK ROAD PHONE 203-264-2831
 OXFORD, CT 06478 FAX 203-264-2833

466 GAME TABLE - CAST STONE		
Scale: FAX	Date: 3/7/19	Drawn: R.A.K.
CAST STONE TABLE LEG		
MAT'L: CAST STONE		#466 FX