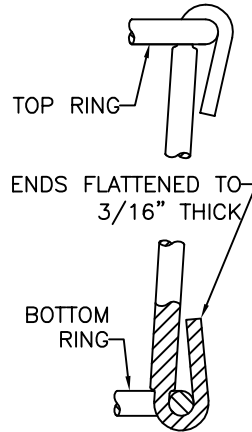


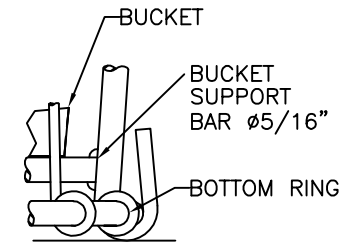
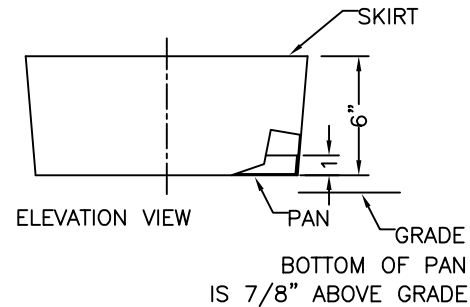
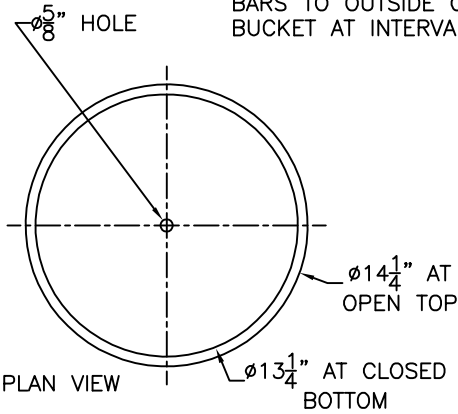
PLAN VIEW OF WIRE BASKET
HORIZONTAL 1/8" DIAMETER RODS
NOT SHOWN FOR CLARITY



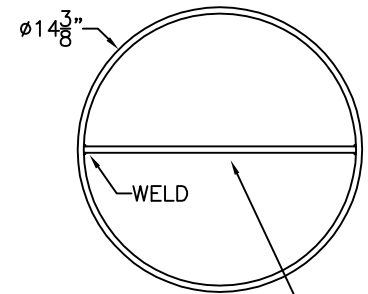
DETAIL OF THE ENDS OF
THE VERTICAL 5/16"
DIAMETER STEEL MAIN
FRAME RODS
4 PIECES IN EACH
WASTE BASKET

BUCKET
~0.045 THICK STEEL
2 PARTS: PAN & SKIRT
SKIRT OVERLAPS SIDE
OF PAN. SPOT WELD
TOGETHER

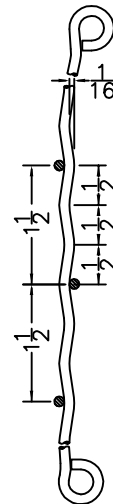
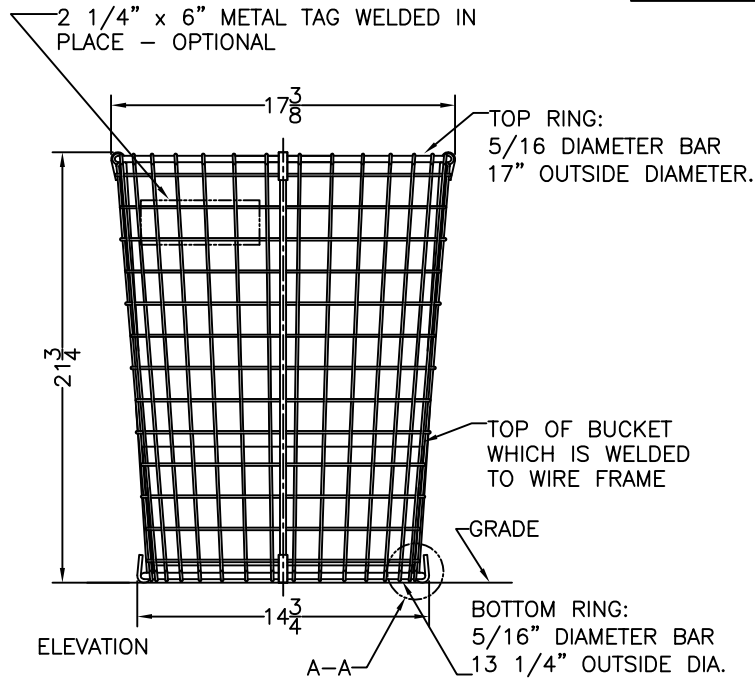
CONSTRUCTION NOTE:
WELD 1/8" VERTICAL
BARS TO OUTSIDE OF
BUCKET AT INTERVALS



DETAIL A-A OF BOTTOM
RING OF THE MAIN FRAME.



BUCKET SUPPORT BAR
5/16" STEEL ROD
BOTTOM 5/16" RING DETAIL



DETAIL OF VERTICAL
1/8" DIAMETER STEEL
BAR WEAVE
32 VERTICAL PIECES AND
13 HORIZONTAL PIECES IN
EACH WASTE BASKET

ALL DIMENSIONS GIVEN AS INCHES

FINISH: GALVANIZED

KENNETH LYNCH & SONS
114 WILLENBROCK ROAD
OXFORD, CT 06478
203-264-2831
FAX 203-264-2833

#95-D WIRE WASTE BASKET		
Scale: FAX	Date: 4/08/09	Drawn: S.L.A.
17 3/8" X 21 3/4" HIGH		
MAT'L: STEEL	#95-D WIRE WASTEBASKET FX	