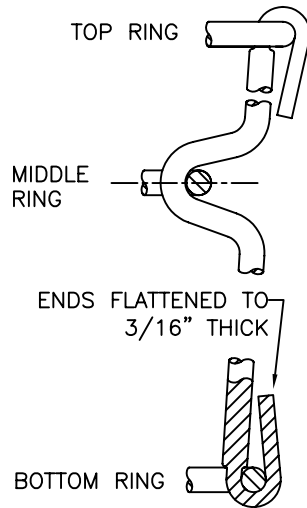
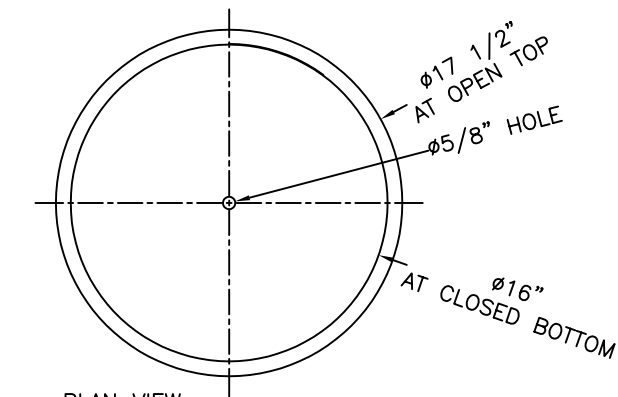


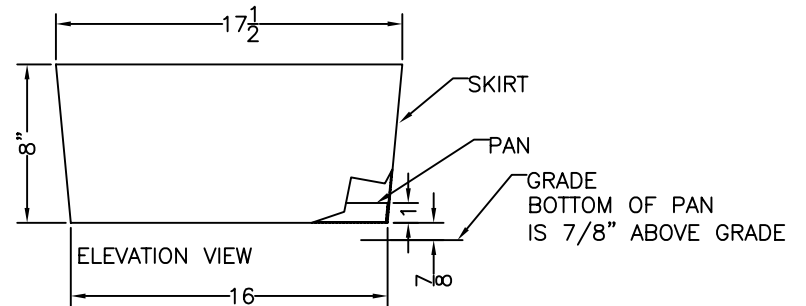
PLAN VIEW OF WIRE BASKET  
HORIZONTAL 1/8" DIAMETER RODS  
NOT SHOWN FOR CLARITY



DETAIL A-A OF VERTICAL  
5/16" DIAMETER STEEL  
MAIN FRAME  
8 PIECES IN EACH  
WASTE BASKET



PLAN VIEW

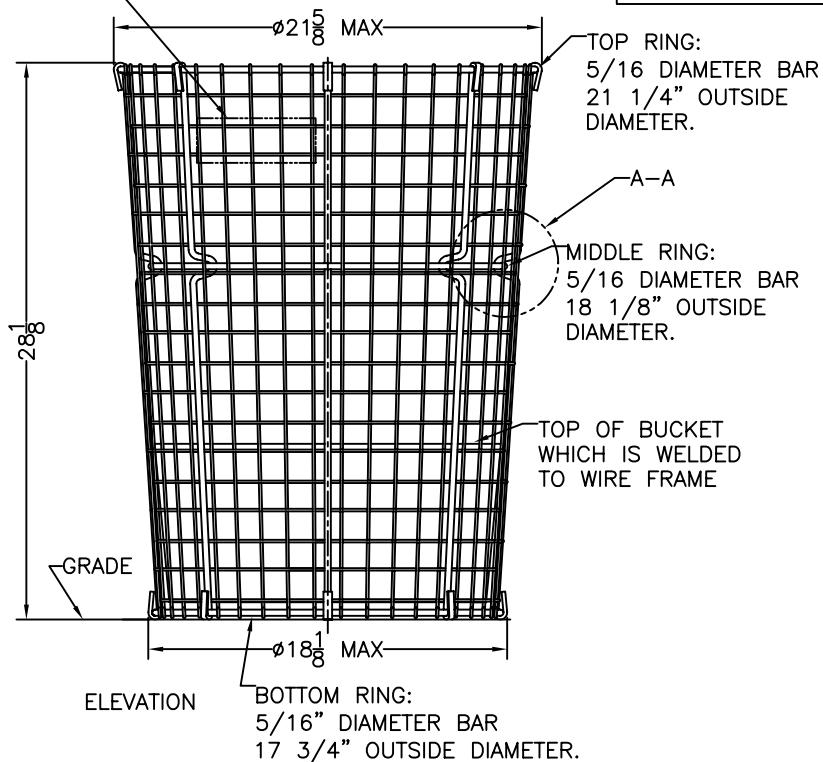


ELEVATION VIEW

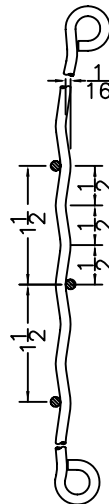
BUCKET  
~0.045 THICK STEEL  
2 PARTS: PAN & SKIRT  
SKIRT OVERLAPS SIDE  
OF PAN. SPOT WELD  
TOGETHER

CONSTRUCTION NOTE:  
WELD 1/8" VERTICAL  
BARS TO OUTSIDE OF  
BUCKET AT INTERVALS

2 1/4" x 6" METAL TAG WELDED IN  
PLACE - OPTIONAL



ELEVATION



DETAIL OF VERTICAL  
1/8" DIAMETER STEEL  
BAR WEAVE  
40 VERTICAL PIECES AND  
18 HORIZONTAL PIECES IN  
EACH WASTE BASKET

ALL DIMENSIONS GIVEN AS INCHES

FINISH: GALVANIZED

**KENNETH LYNCH & SONS**

114 WILLENBROCK ROAD  
OXFORD CT 06478  
203-264-2831  
FAX 203-264-2833

**#95-B WIRE WASTE BASKET**

Scale: FAX	Date: 9/22/04	Drawn: S.L.A.
ø21 5/8 X 28 1/8		Rev: 4/2/09
		Rev: 4/9/09
MAT'L: STEEL	#95-B WIRE WASTEBASKET FX	