

The pool which contains the water is the most crucial element of a fountain. Much can be done with very little water when properly planned.

Pools may be virtually any shape you wish. You can design beautifully shaped pools using our curbing components which are very simple to install.

Considering wind and splash a very good rule to follow is that the pool must be a minimum diameter of double the height of the jet of water. Wind may blow the water into the air, to one side or the other and out of the pool. Splash occurs when a drop of water lands back in the pool. It then may rebound from the surface in any direction and this can be blown by wind. We find splash returning as high as 2 or 3 feet depending on the volume and the distance the water falls.

When designing these pools great consideration should be given to the depth of the pool. Certainly it is less expensive to build a shallow pool than a deep pool. Pools as shallow as 6" would be acceptable. However, it may be necessary to have a sump in the center or a remote pump. For the most part, fountains are made with depths of water ranging from 8" to 18".

Some pools are designed purposely to be very shallow, that is with almost no water laying in the bottom. In this case, the bottom of the pool becomes merely a drainage area to drain towards the sump. This would be ideal for a children's interactive splash fountain.

Our most popular system is a pool made with our curbing No. 275 which is 10" deep. This makes it possible to operate using a submersible pump without a sump.

Shown on these pages is the greatest collection of pool shapes ever offered. They are made from curbing members No. 275 and others. The shapes shown are approximate. Pool shapes as shown here can be made from our stock curbing molds generally. To design your pool, simply select the curbing, shape, size you desire. We will draw it for you. Drawings of components, as are finished drawings, are drawn in AutoCAD and available on disc, on paper or by email.

Pools & Curbing

You can pour a concrete slab (with footings to code) and put the curbing around it, do a simple water-proofing job so that it is water tight and you then have a pool.

Before proceeding to build your fountain, you should check with your local building inspector. Make sure you attend to all building code details before you begin.

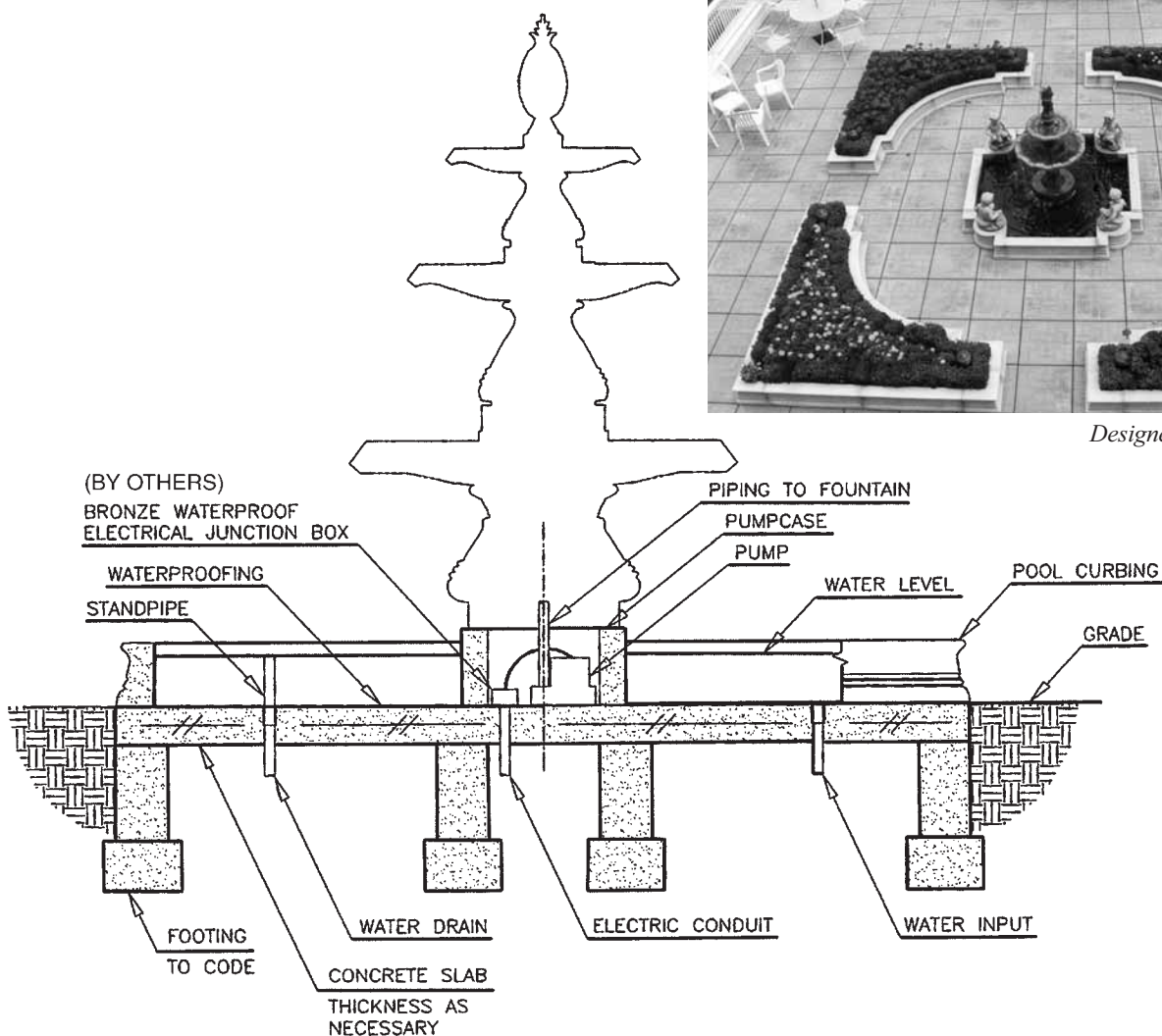
If the submersible pump and lights are to be installed, the electricity is distributed through an underwater junction box equipped with cord seals.

POOL CURBING SETTING INSTRUCTIONS

1. Prepare wood wedges 4" long tapering 0" - 1".
2. Layout pool full size on concrete pad if necessary.
3. Place all curbing pieces in their places on 3 or 4 wedges each allowing for grout space between and under sections.
4. Set up (tripod mounted) builder's level and level all sections perfectly. (Remember that later the water will tell whether or not you did this step well.)
5. Grout joints with mortar. A suggestion is to use a type of Latex additive designed for submerged work. Also use a light colored fairly fine sand so the joints blend well with the castings. Be careful not to smear the mortar over the finished surfaces of the curbing. When grouting is complete waterproof according to local custom or available materials.

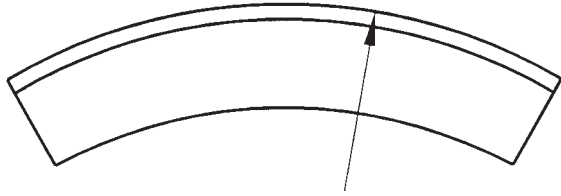


Designed by KQD Construction





POOL CURBING SHAPES

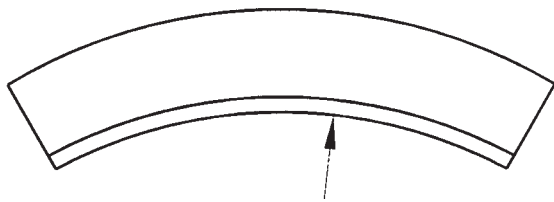


NO. 275D - CURBING - CURVED

Cast Stone

Outside diameters available

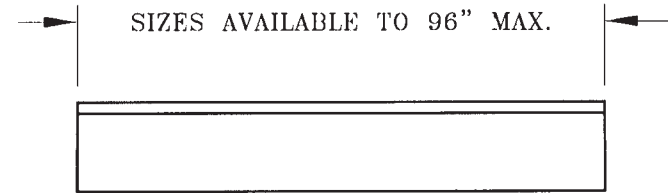
4', 5', 6', 7', 8', 9', 10', 11', 12', 14', 16', 17', 22', 24', 63'



NO. 275H CURBING

Cast Stone

Inside diameters available: 4', 5', 7', 10'



NO. 275C CURBING - STRAIGHT

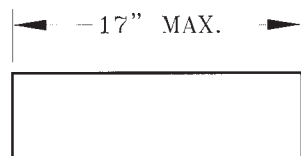
Cast Stone



NO. 275B CURBING

RIGHT ANGLE

Cast Stone

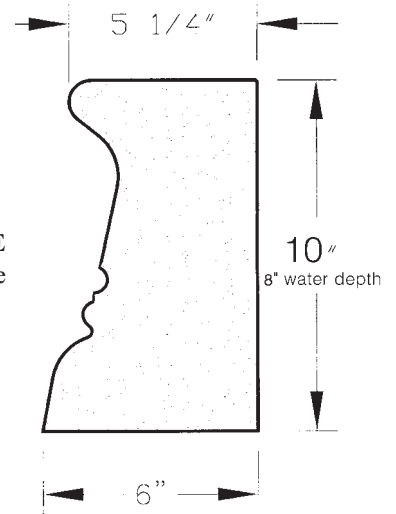


NO. 275B

RIGHT ANGLE

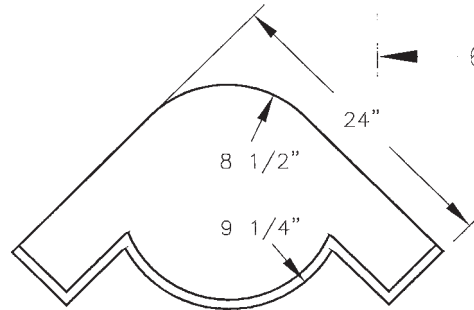
INSIDE DETAIL

Cast Stone



NO. 275 SHAPE

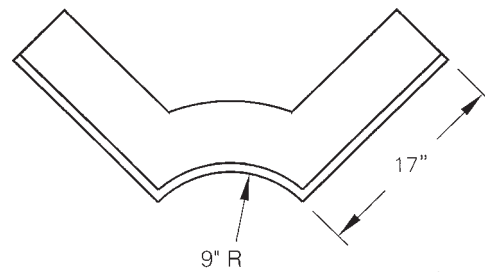
Cast Stone



NO. 275F CURBING

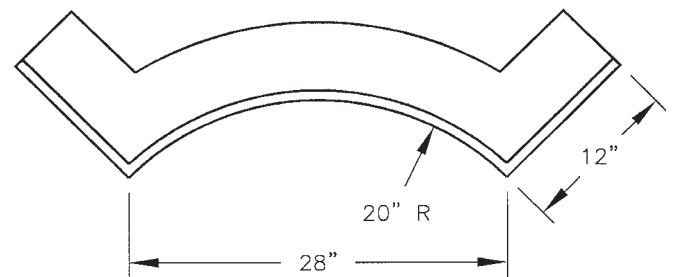
Cast Stone

Can be modified to act as a pedestal/pumpcase for piped pieces.



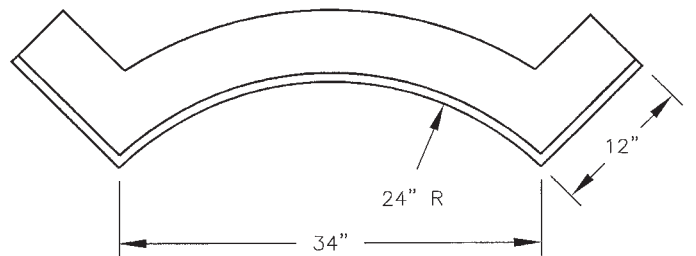
NO. 275E CURBING

Cast Stone



NO. 275G CURBING

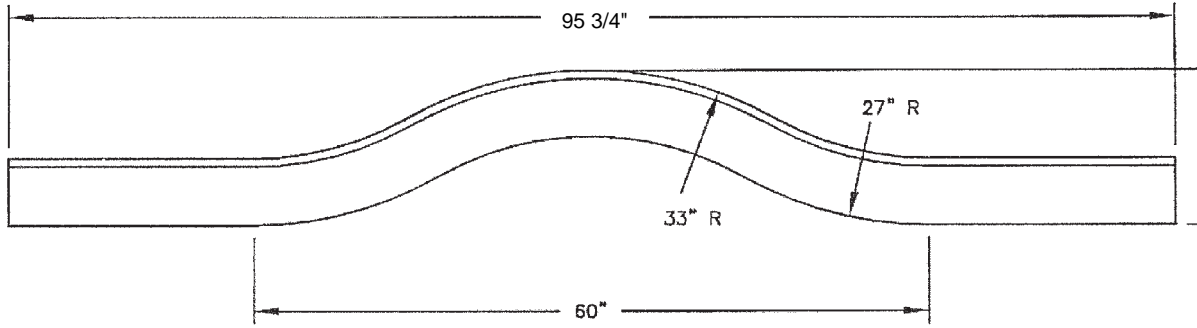
Cast Stone



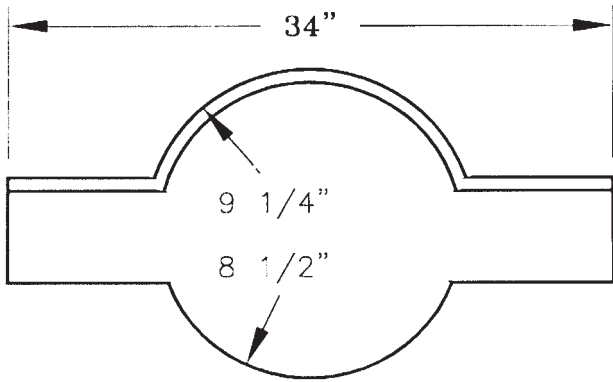
NO. 275N CURBING

Cast Stone

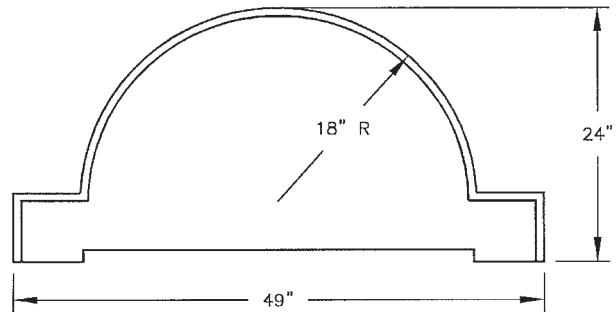
POOL CURBING SHAPES



NO. 275K CURBING
Cast Stone

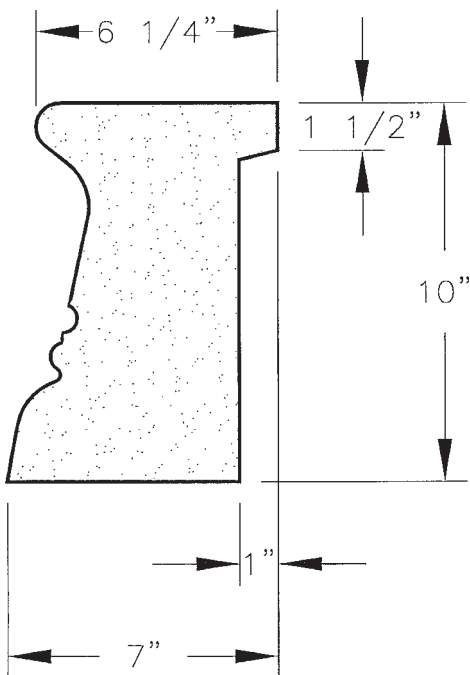


NO. 275A CURBING
Cast Stone

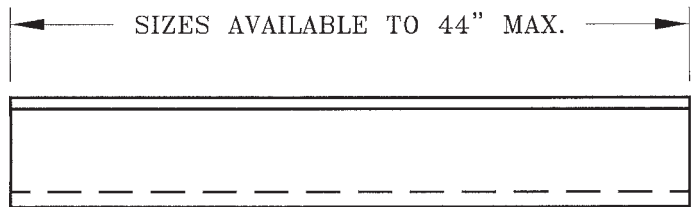


NO. 275 J CURBING
Cast Stone

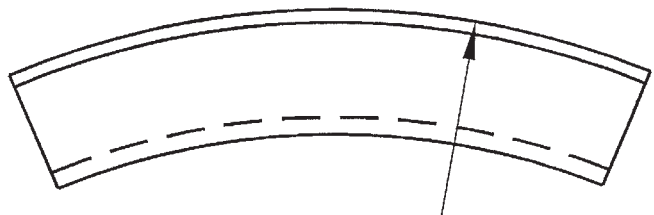
SPECIAL 275 CURBING



NO. 275 SPECIAL CURBING
Cast Stone



NO. 275L SPECIAL CURBING
Cast Stone

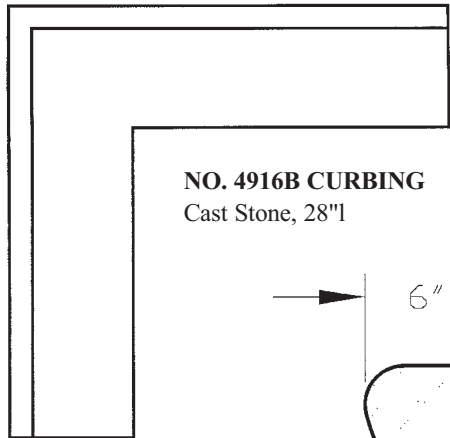


NO. 275M SPECIAL CURBING
Cast Stone
Available in 8' diameter.

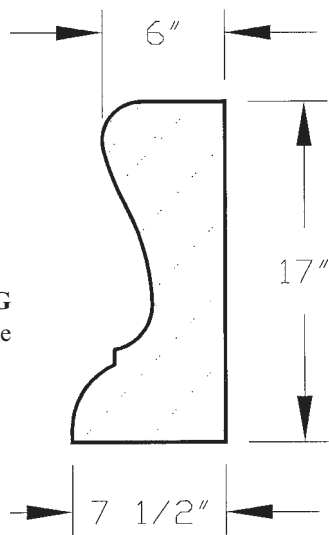


POOL CURBING SHAPES

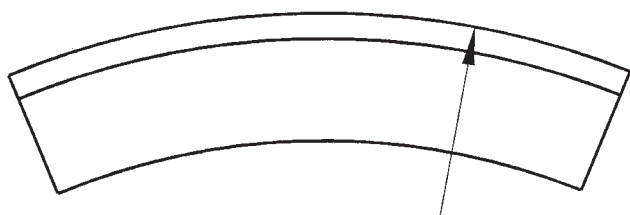
SIZES AVAILABLE TO 28" MAX



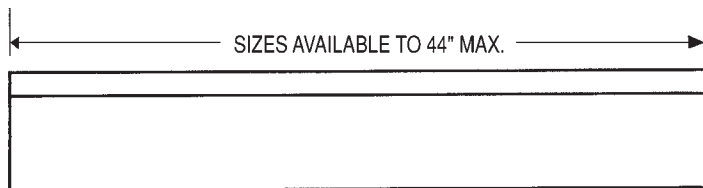
NO. 4916B CURBING
Cast Stone, 28"l



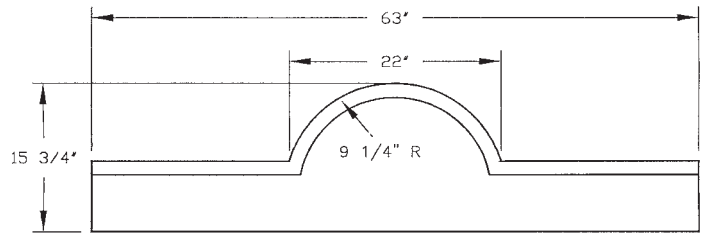
NO. 4916 CURBING
Cast Stone



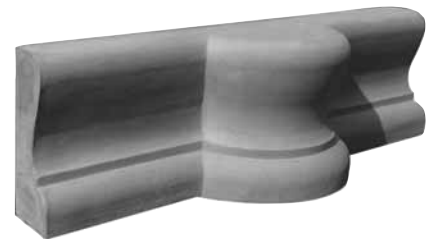
NO. 4916D CURBING
Cast Stone. Available in 5', 6', 8', 10', 12', 12'2", 14', 15' and 20'.



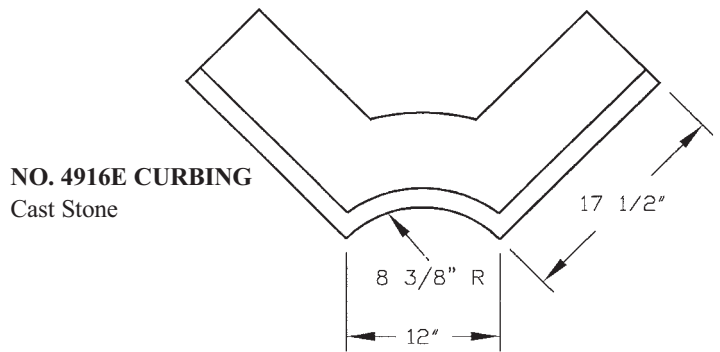
NO. 4916C CURBING
Cast Stone, 44"l



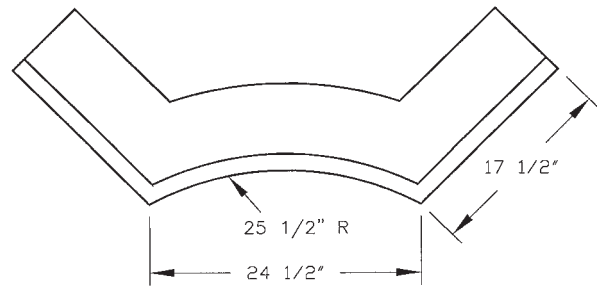
NO. 4916A CURBING
Cast Stone, 63"l



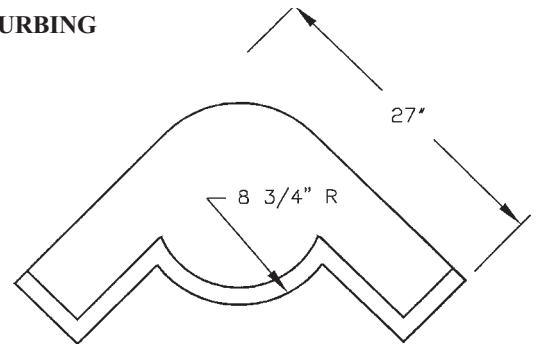
NO. 4916
Cast Stone



NO. 4916E CURBING
Cast Stone

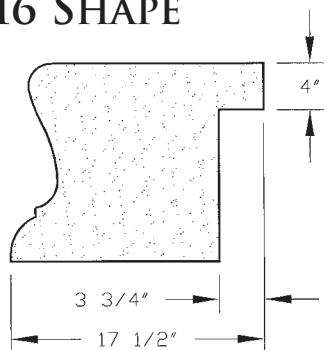


NO. 4916G CURBING
Cast Stone



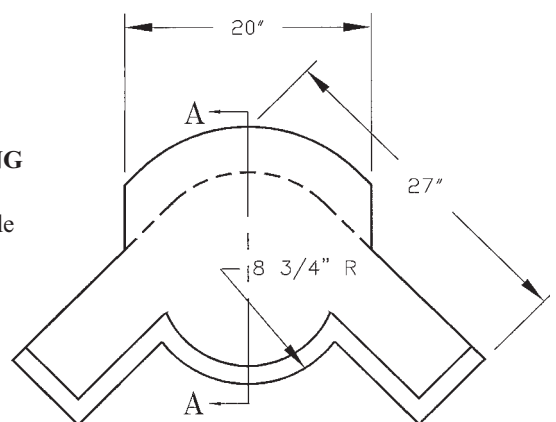
NO. 4916F CURBING
Cast Stone

SPECIAL 4916 SHAPE



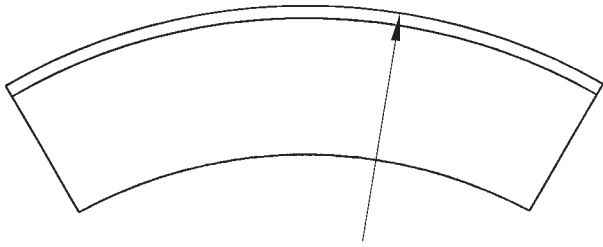
SECTION THROUGH A - A

NO. 4916R CURBING
Cast Stone, 27"
this piece is compatible
with the regular
No. 4916 Curbing.



POOL CURBING

POOL CURBING SHAPES

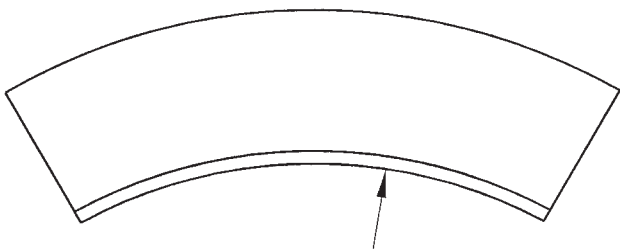


NO. 5555D CURBING

Cast Stone

Available in the following diameters:

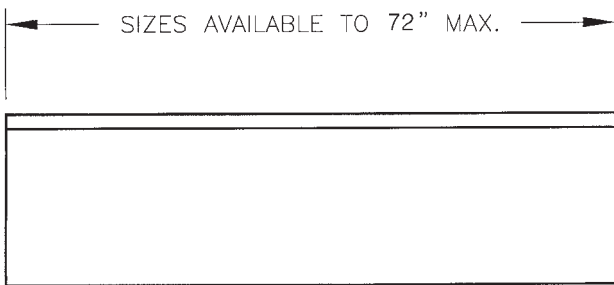
4', 6', 7', 8', 10', 12', 13', 16', 17', 18', 24', and 52'.



NO. 5555H

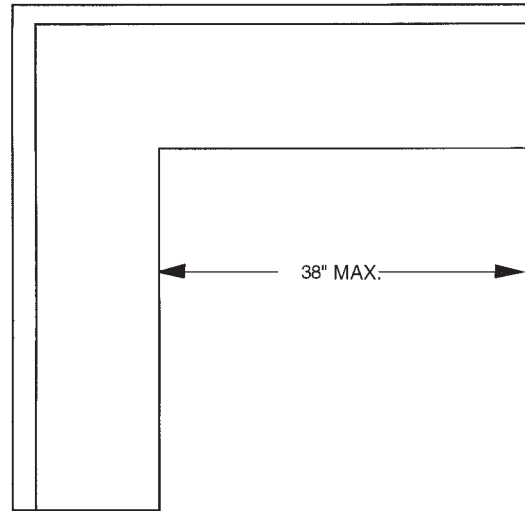
Cast Stone

Available in 7' and 20' diameters.



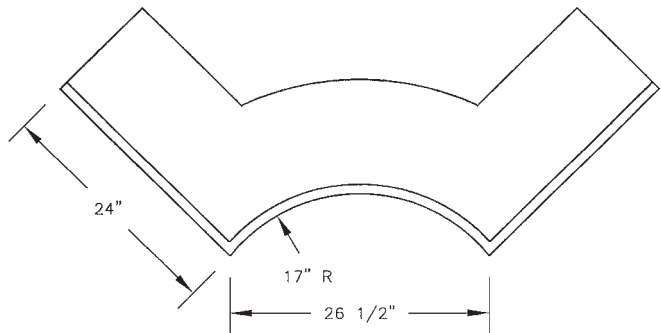
NO. 5555C CURBING - STRAIGHT

Cast Stone, 72"l



NO. 5555B CURBING - RIGHT ANGLE

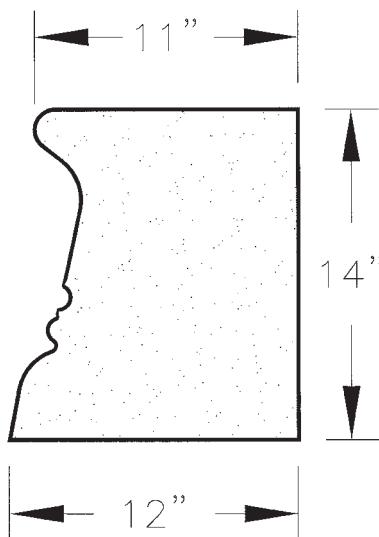
Cast Stone, 38"



NO. 5555E CURBING

Cast Stone

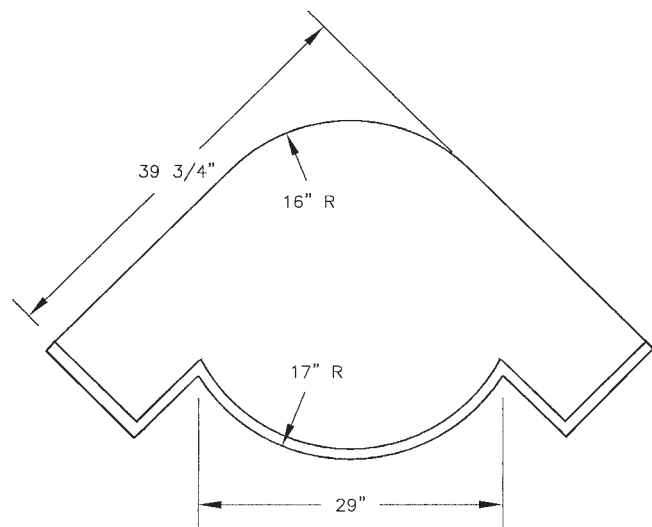
No. 5555E Shape also available in 18" h,



NO. 5555 CURBING

Cast Stone

12" w bottom X 11" w top X 14" h

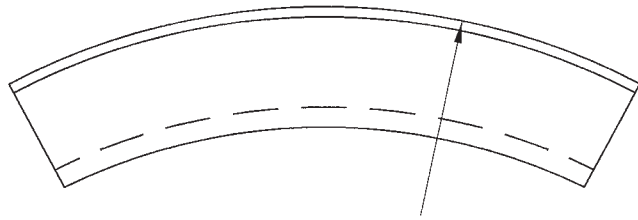


NO. 5555F CURBING

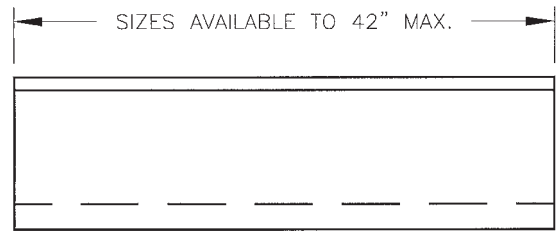
Cast Stone, 39 3/4"



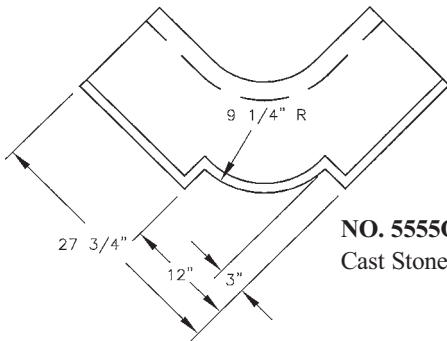
POOL CURBING SHAPES



NO. 5555M
Cast Stone with overhang.
11' diameter

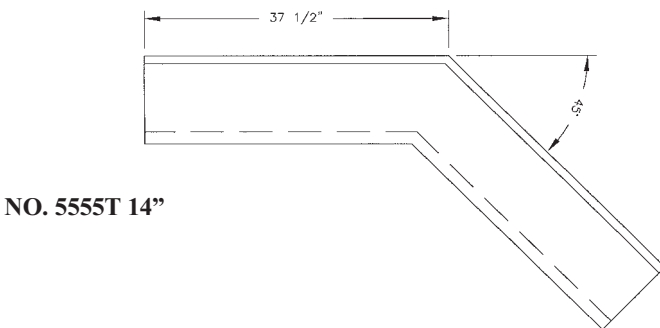
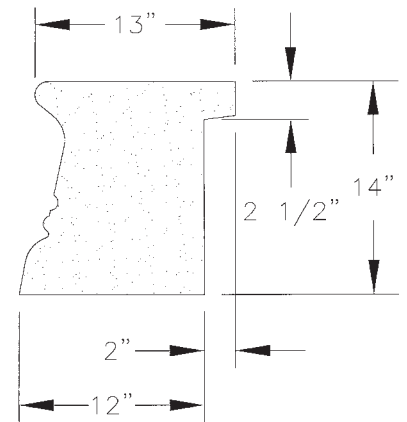


NO. 5555L 14"
Cast Stone with overhang



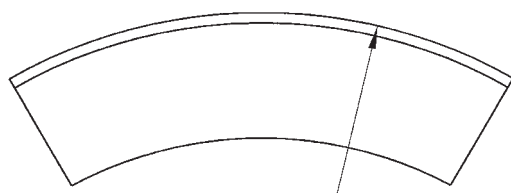
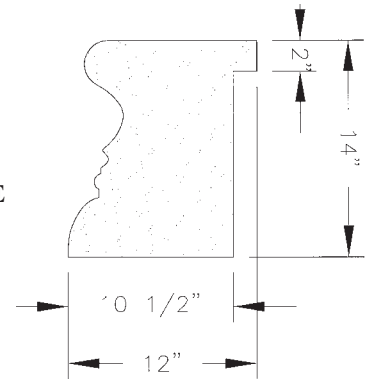
NO. 5555Q CURBING
Cast Stone, 14"

NO. 5555 SHAPE
14" WIDE
Cast Stone

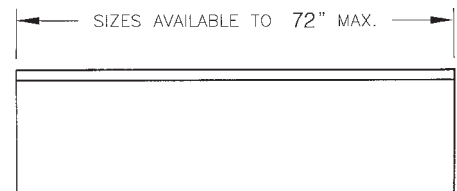


NO. 5555T 14"

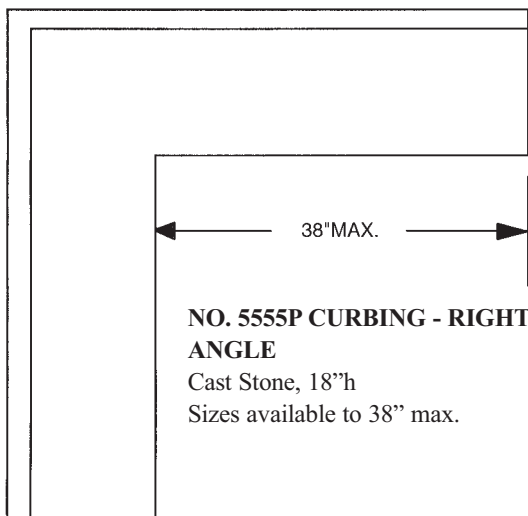
NO. 5555 SHAPE
14" SMALLER
Cast Stone



NO. 5555N CURBING
Cast Stone, 18" h
Available in 6', 7', 10', 12', and 24" diameters.



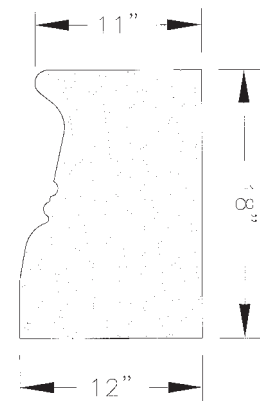
NO. 5555R CURBING
Cast Stone, 18"
Sizes available to 72" l max.



NO. 5555P CURBING - RIGHT ANGLE
Cast Stone, 18" h
Sizes available to 38" max.

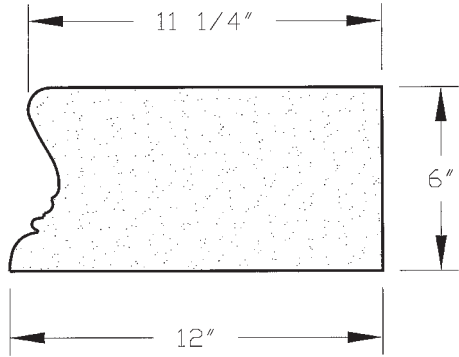
NO. 5555 CURBING
Cast Stone, 18" h

Please note: All shapes shown in this section of the page are available in these dimensions.

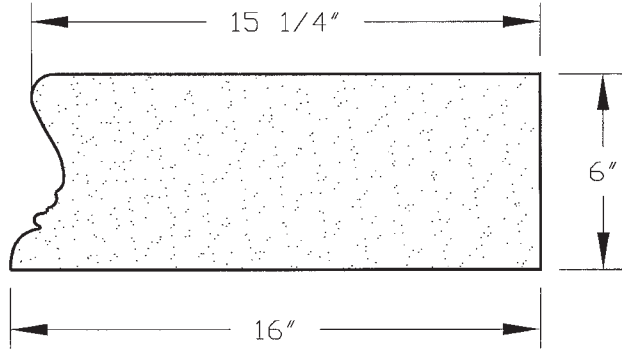


POOL CURBING

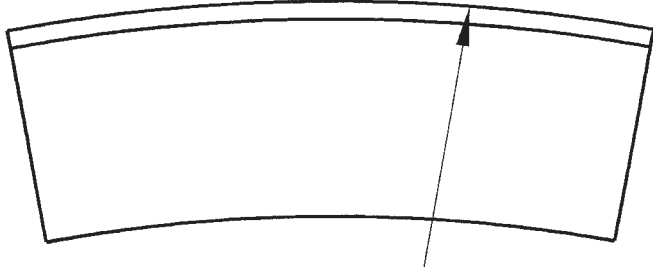
POOL CURBING SHAPES



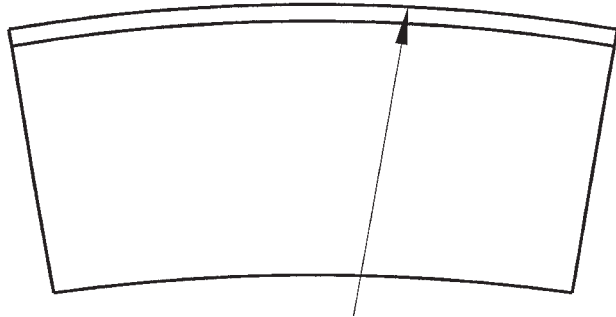
NO. 6101 CURBING
Cast Stone
Available in two sizes: 12"w & 16"w.



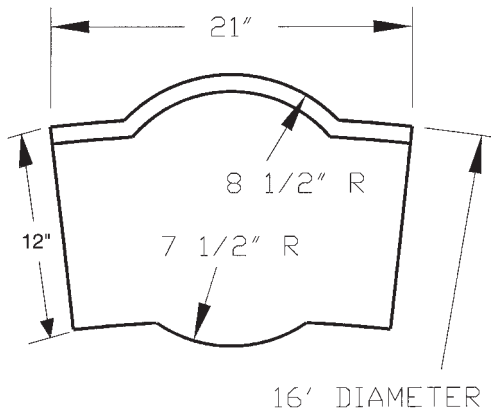
NO. 6101 WIDE CURBING
Cast Stone
Available in two sizes: 12"w & 16"w.



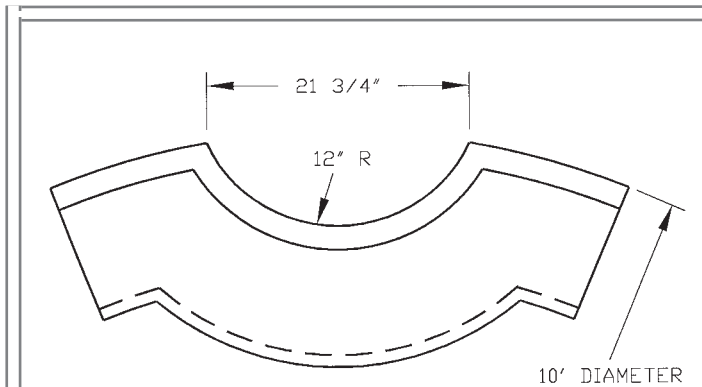
NO. 6101D CURBING
Cast Stone
Available in 16'diameter or 18'diameter.



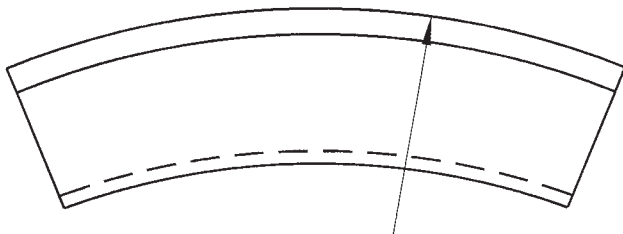
NO. 6101N
Cast Stone
Available in 18'diameter.



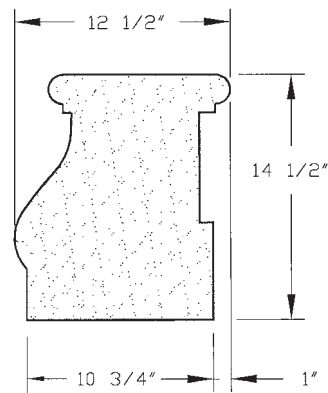
NO. 6101A CURBING
Cast Stone



NO. 6102A CURBING
Cast Stone
21 3/4" X 10"diameter. X 12"radius.



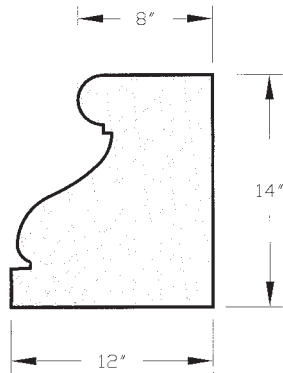
NO. 6102M CURBING
Cast Stone, 10'diameter.



NO. 6102 SHAPE CURBING
Cast Stone
10 3/4"bottom X 14 1/2"h X 12 1/2"full width.
Top extends one inch beyond body of curbing in the back.

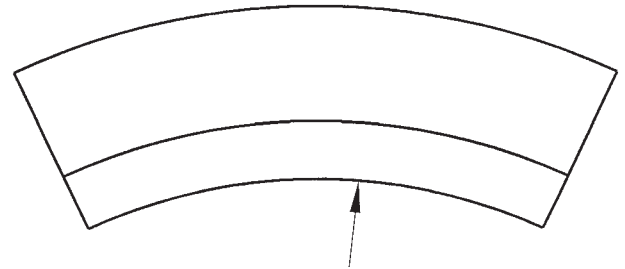


POOL CURBING SHAPES

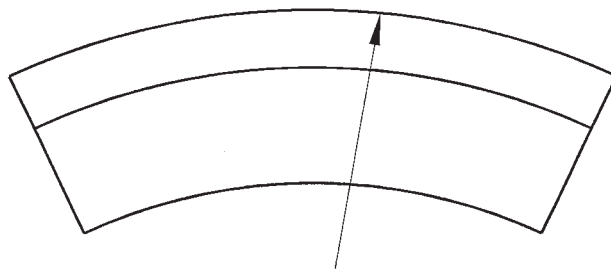


NO. 6103 CURBING
Cast Stone
8" w top X 14" h X 12" w bottom

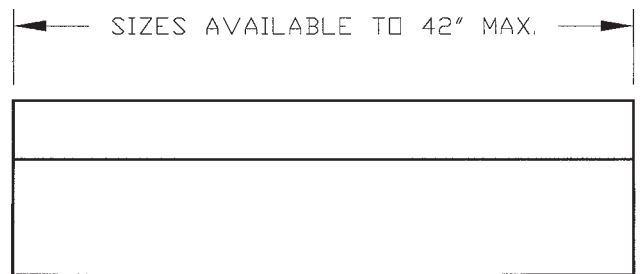
Please note: All shapes shown in this section of the page are available in these dimensions.



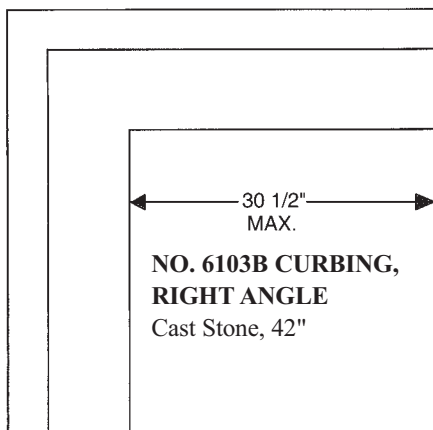
NO. 6103H CURBING - INSIDE CURVE
Cast Stone, 6' diameter.



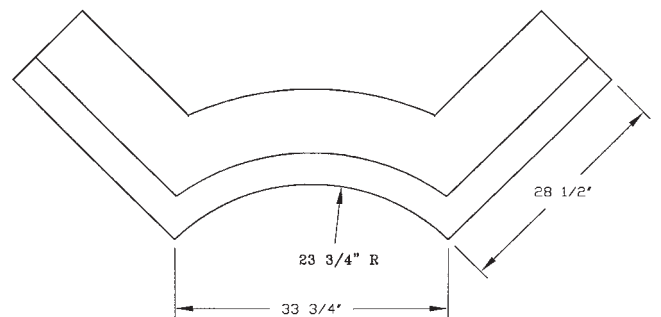
NO. 6103D CURBING
Cast Stone
Available in four diameters: 5', 6', 8', 16'



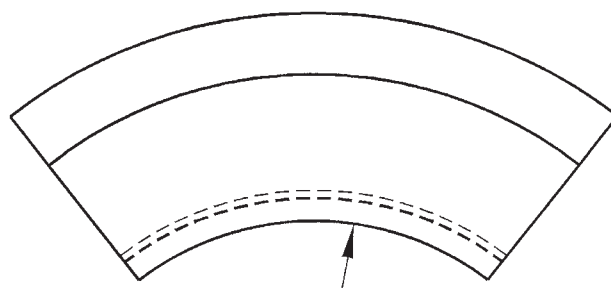
NO. 6103C CURBING - STRAIGHT
Cast Stone, 42"l



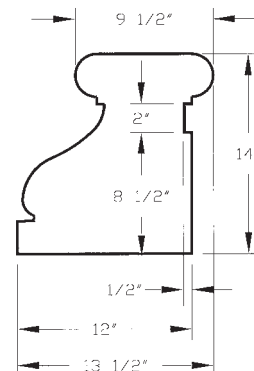
NO. 6103B CURBING, RIGHT ANGLE
Cast Stone, 42"



NO. 6103G CURBING
Cast Stone



NO. 6103M CURBING
Cast Stone
Available in four diameters: 5', 6', 8', 16'.

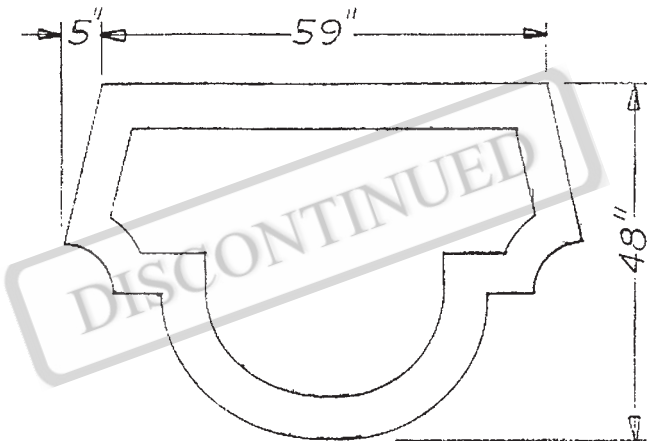


Please note: All shapes shown in this section of the page are available in these dimensions.

NO. 6103 SPECIAL REAR OVERHANG

POOLS

Shown on this page are five Monolithically Poured Pools. This means that they are poured complete including curbing and bottom in one mold in one continuous pour. They are well reinforced and CAN include fittings for drainage and electricity. While they are heavy and limited to these sizes, they are handy for those situations where it is not feasible or desirable to go through all the steps of building a pool. The writer has put one of these on a bed of crushed stone and it has stayed reasonably level for many years.

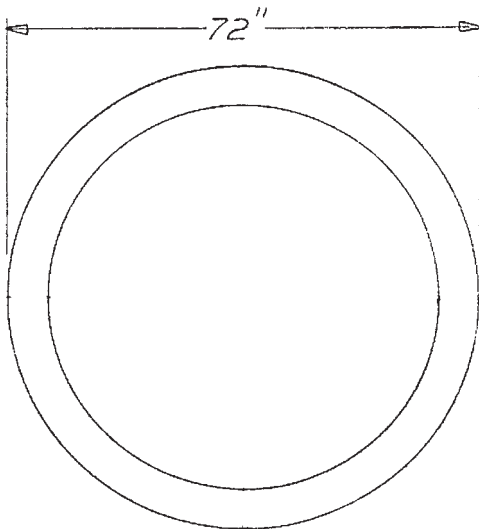
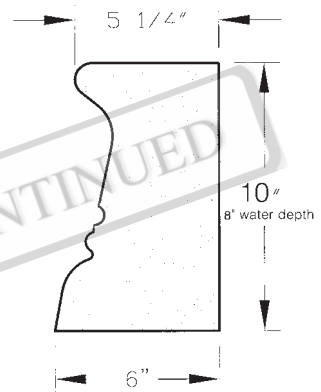


NO. 19 POOL (USING NO. 275 SHAPE)

Cast Stone
48" X 59", One piece construction.
Curb detail on back. Also available: flat back curbing without detail by special order.

NO'S. 19, 20 AND NO. 4744 HAVE THIS OUTSIDE DESIGN SHAPE

Cast Stone
Outside height 10"
and inside depth is 7".

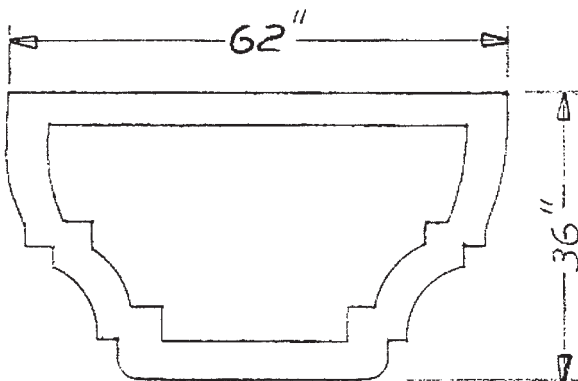
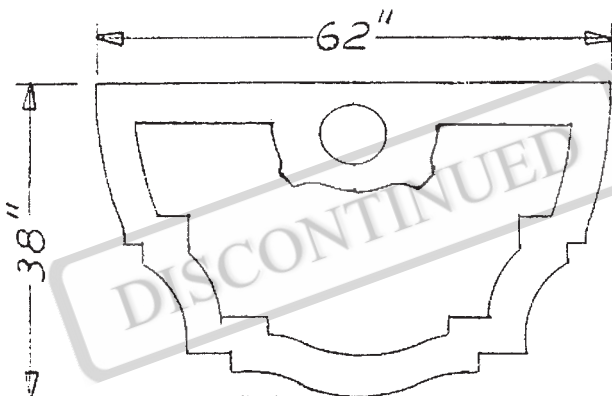


NO. 20 POOL (USING NO. 275 SHAPE)

Cast Stone
72" diameter, One piece construction.

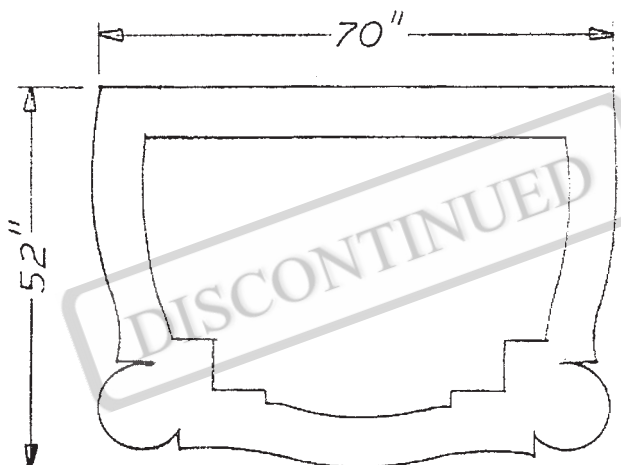
NO. 1143 POOL (SEE PAGE 166)

Cast Stone
62" X 38". One piece construction. Flat back.



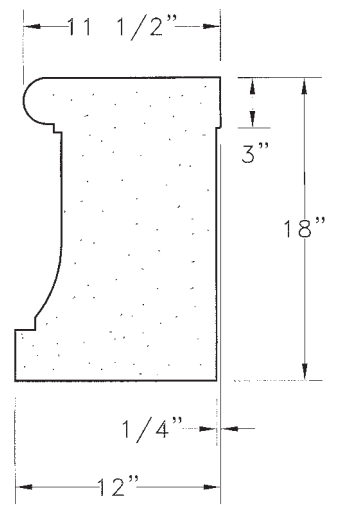
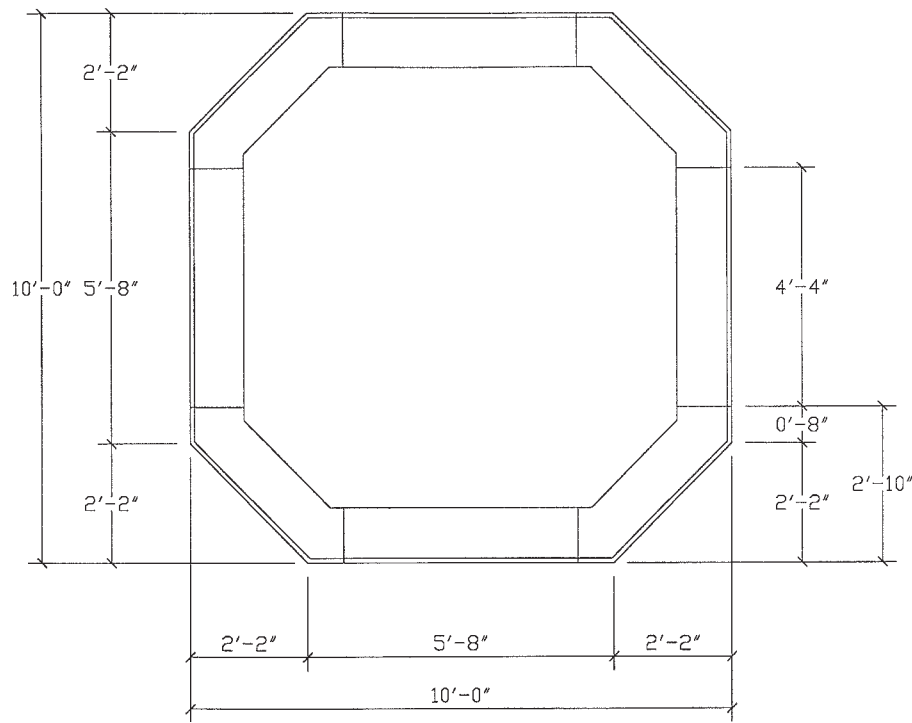
NO. 1144 POOL (SEE PAGE 166)

Cast Stone
62" X 36". One piece construction. Flat back.



NO. 4744 POOL (USING NO. 275 SHAPE)

Cast Stone
52" X 70". One piece construction. Flat back.

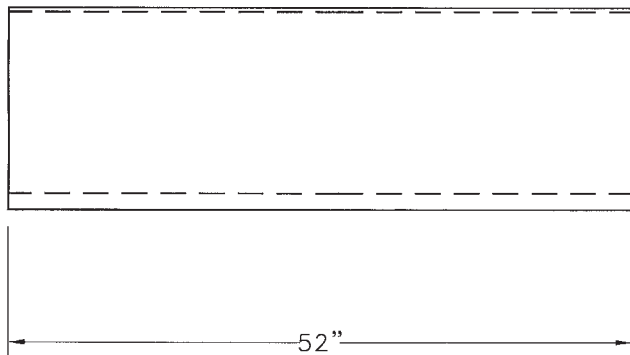


NO. 1763

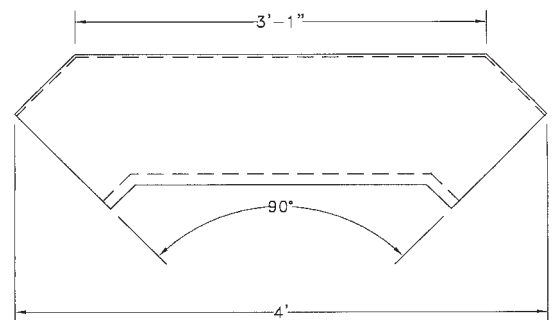
NO. 1763 OCTAGONAL POOL

Cast Stone
10' X 10'

Can be expanded by adding straight sections.



NO. 1763 POOL

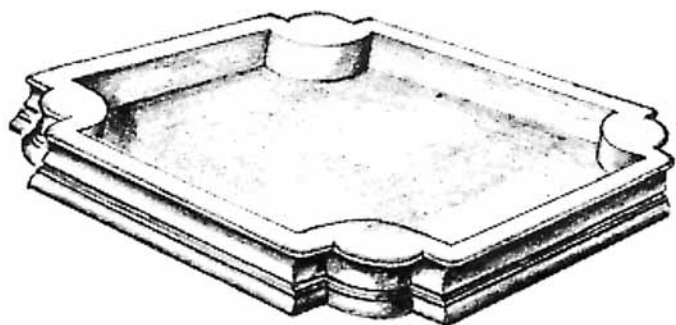


NO. 1763 POOL

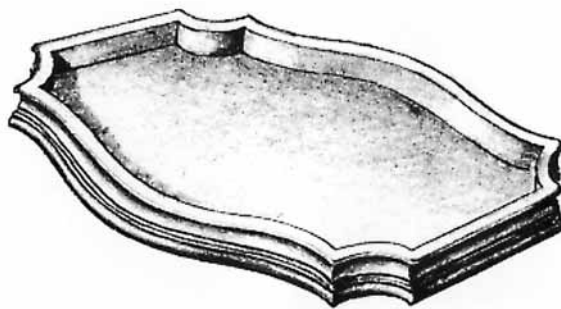


Lead components and iron bollards supplied by Kenneth Lynch & Sons at Wakayama Marina City, Japan.

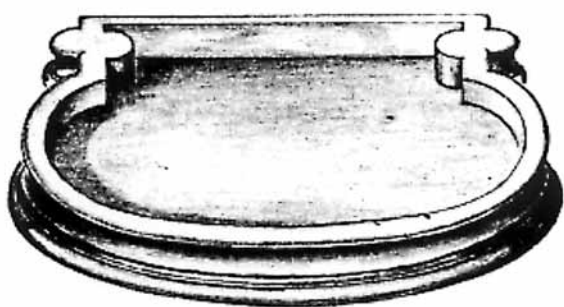
POOL SHAPES



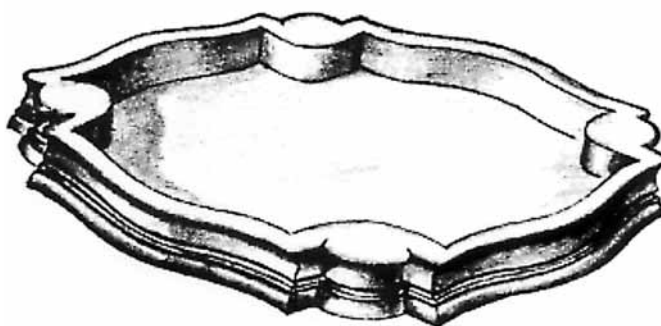
NO. 26
Cast Stone



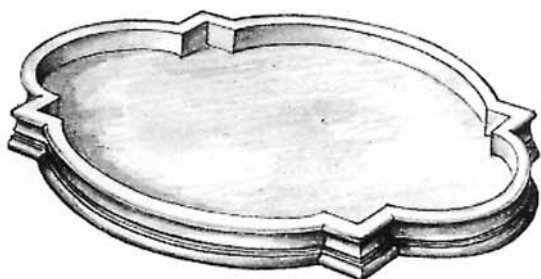
NO. 27
Cast Stone



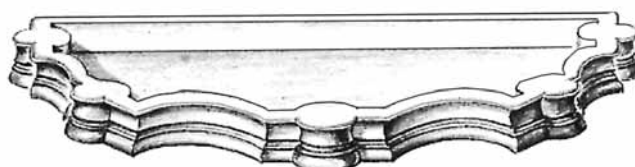
NO. 28
Cast Stone



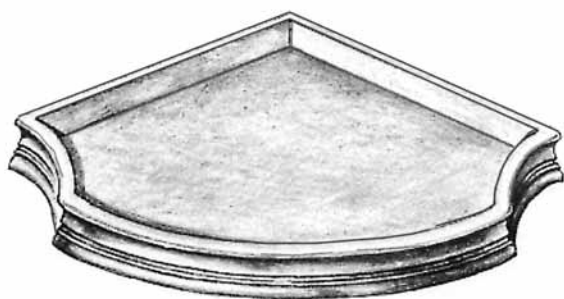
NO. 29
Cast Stone



NO. 33
Cast Stone



NO. 34
Cast Stone



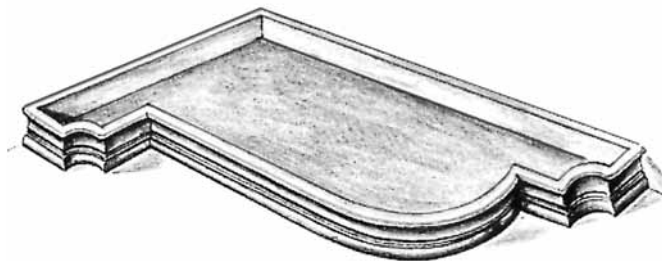
NO. 39
Cast Stone



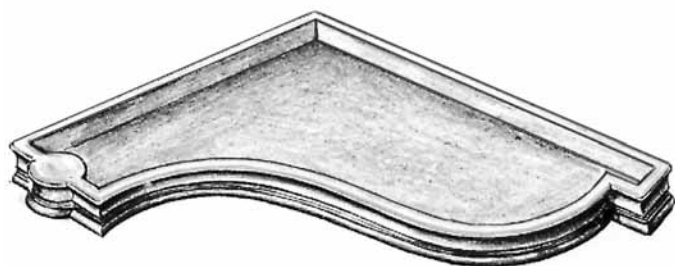
NO. 40
Cast Stone



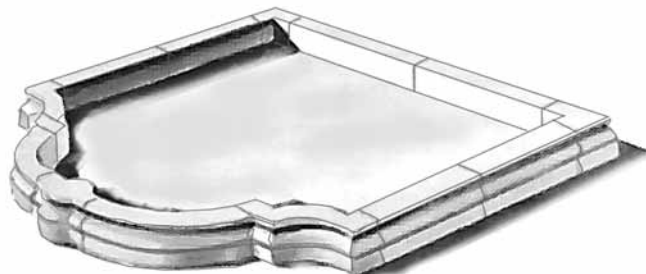
NO. 41
Cast Stone



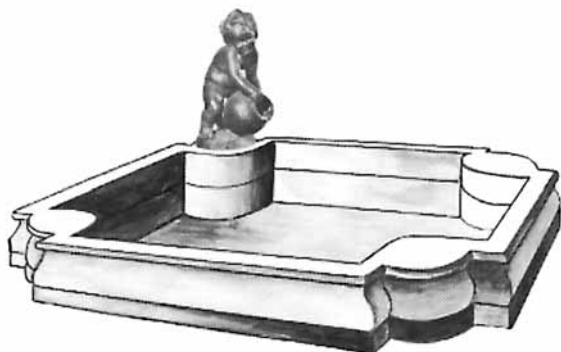
NO. 42
Cast Stone



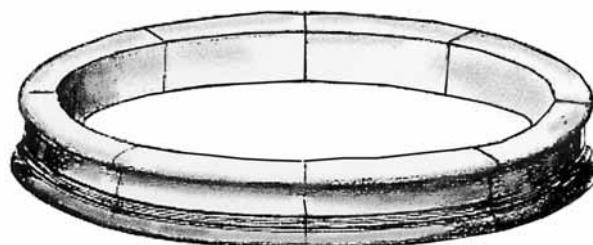
NO. 44
Cast Stone



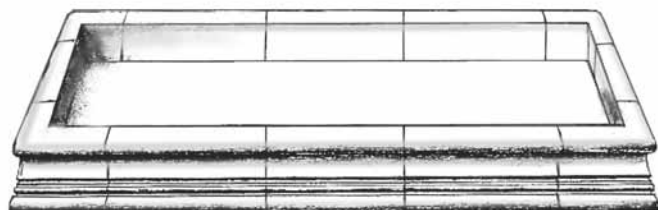
NO. 1P
Cast Stone



NO. 2P
Cast Stone



NO. 4P
Cast Stone

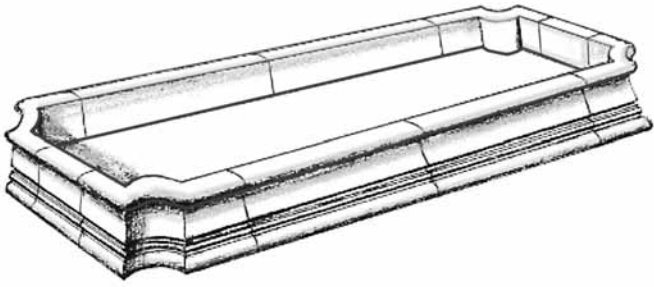


NO. 7P
Cast Stone

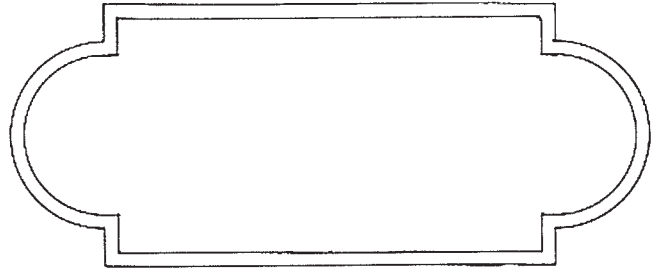


NO. 21P
Cast Stone

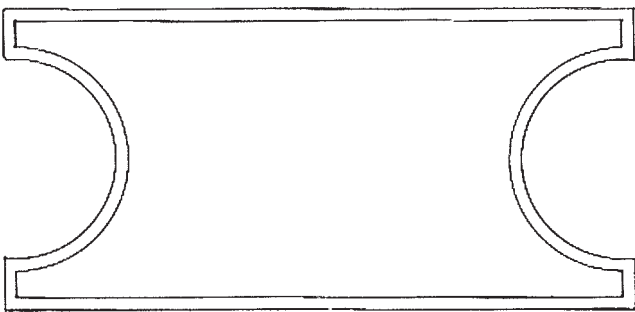
POOL SHAPES



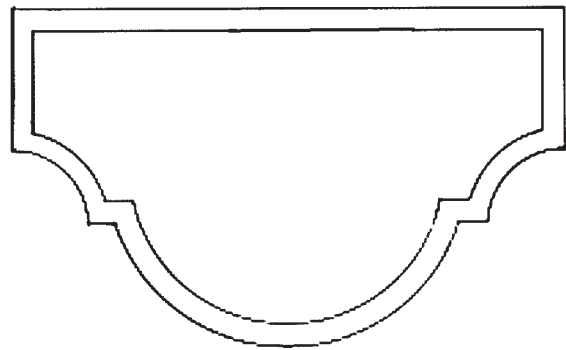
NO. 8 SHAPE
Cast Stone



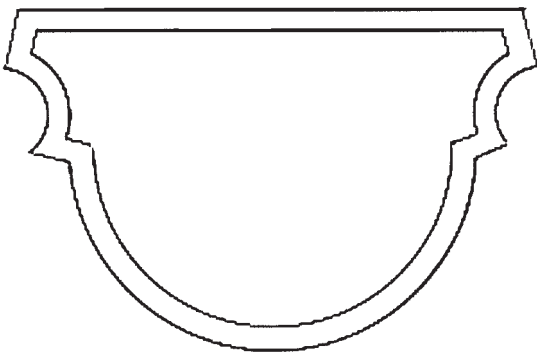
NO. 22 SHAPE
Cast Stone



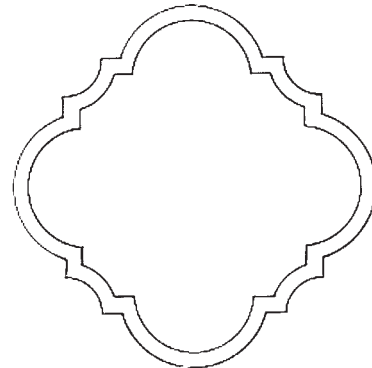
NO. 23 SHAPE
Cast Stone



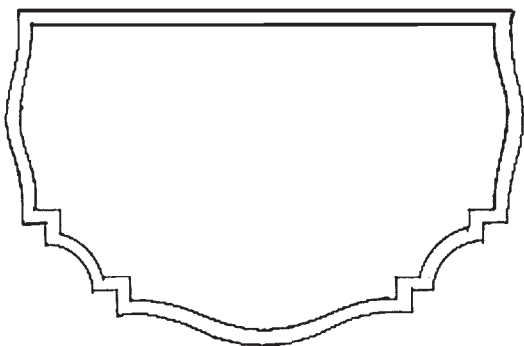
NO. 1028 SHAPE
Cast Stone



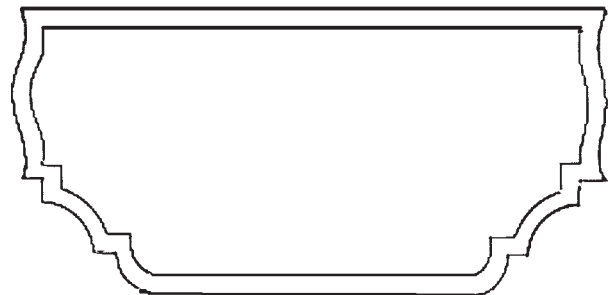
NO. 1041 SHAPE
Cast Stone



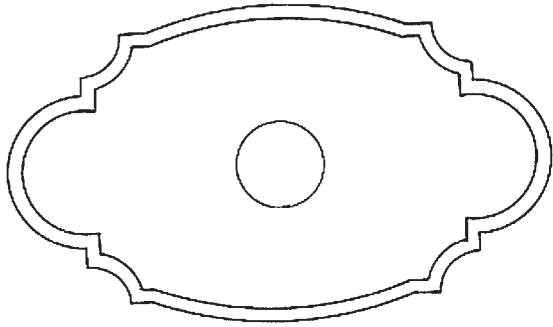
NO. 1055P SHAPE
Cast Stone



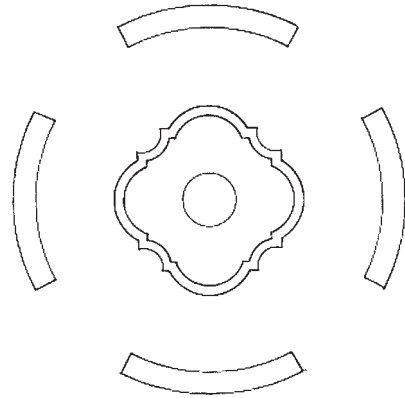
NO. 1143 SHAPE
Cast Stone



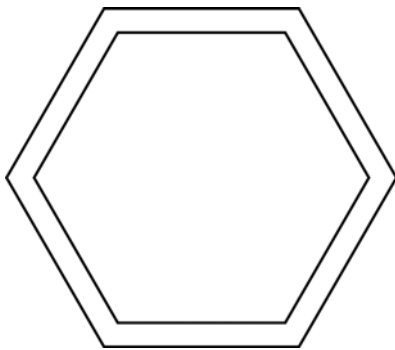
NO. 1144 SHAPE
Cast Stone



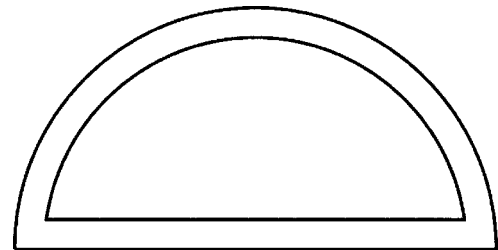
NO. 1160 SHAPE



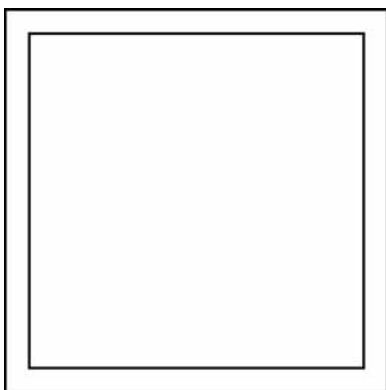
NO. 1323 SHAPE



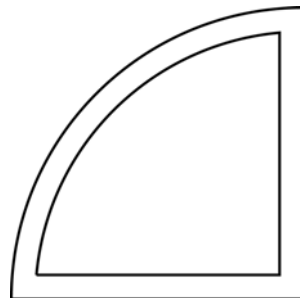
NO. 3P



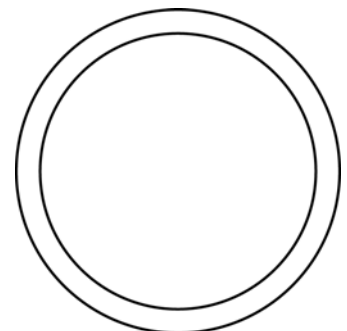
NO. 9P



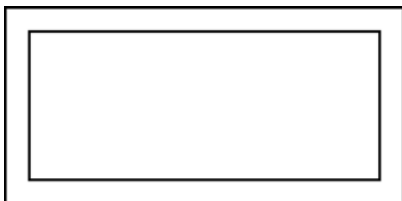
NO. 11P



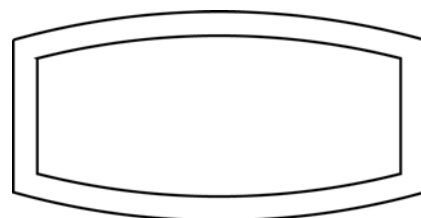
NO. 12P



NO. 13P



NO. 14P



NO. 17P