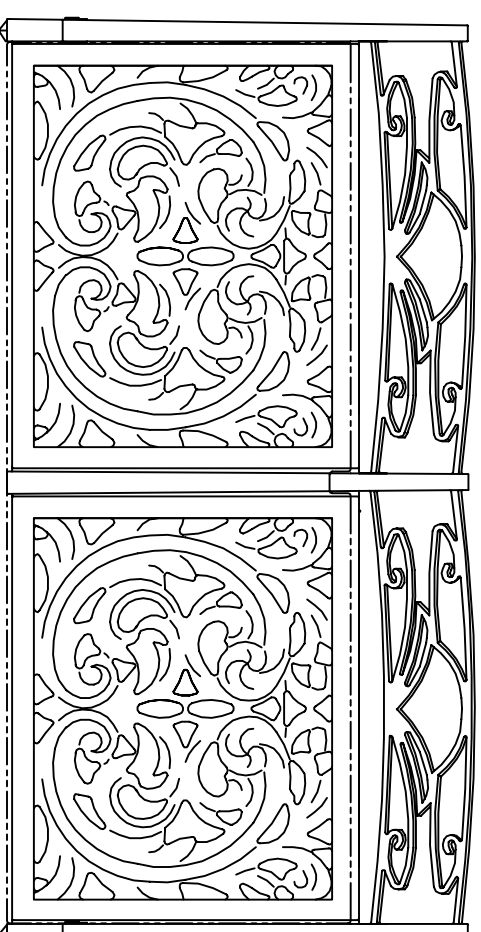
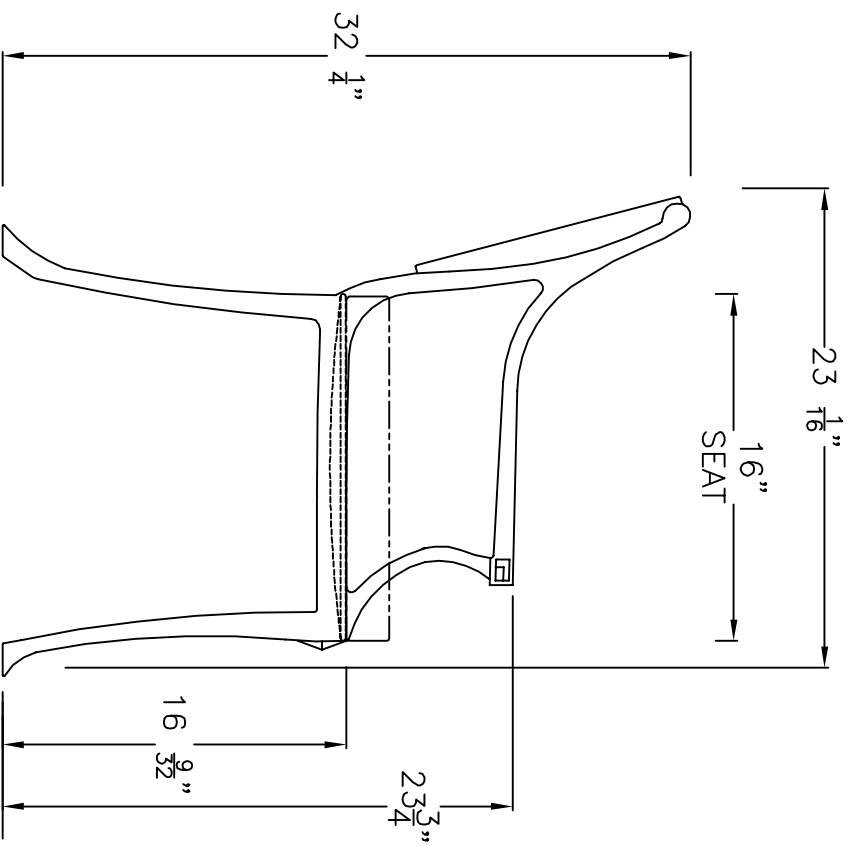
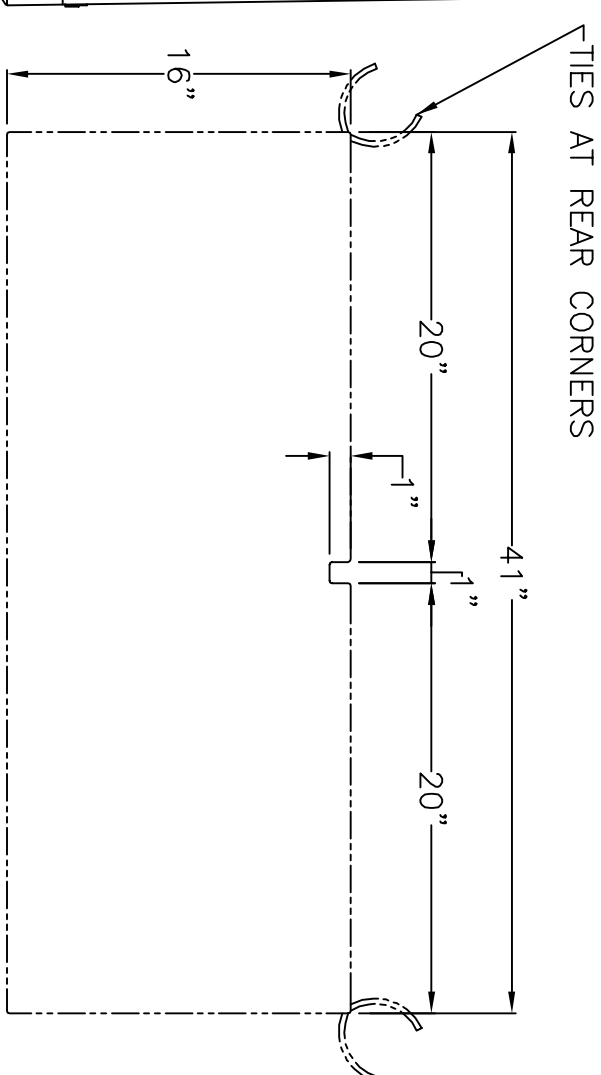
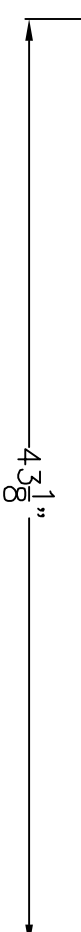


SIDE ELEVATION  
MIDDLE CONNECTION



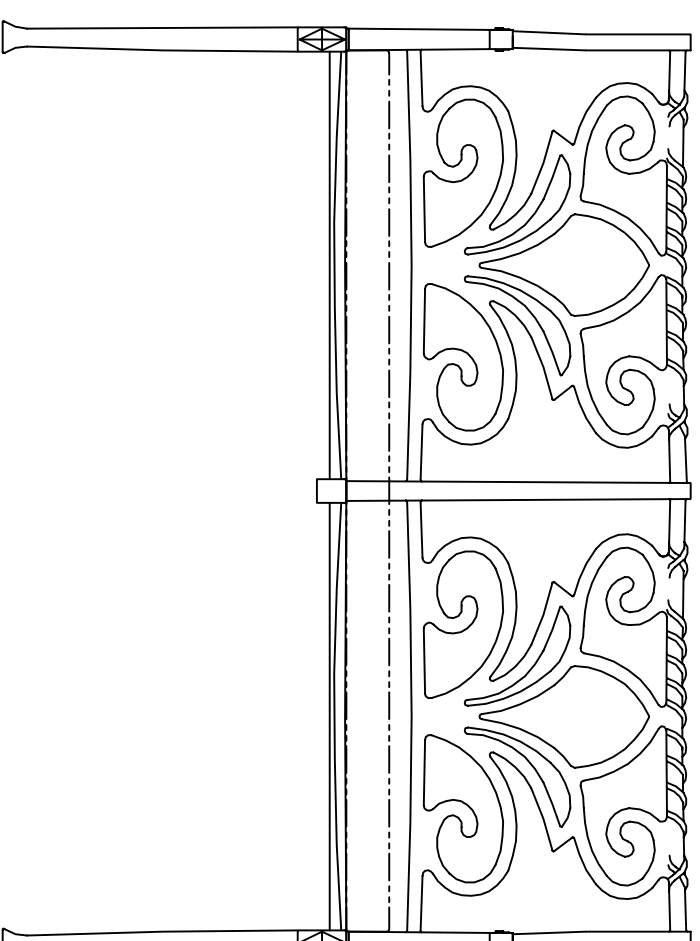
PLAN VIEW



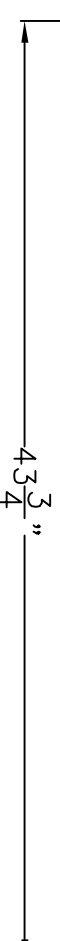
TIES AT REAR CORNERS

CUSHION, 1 REQUIRED:  
SEAT: 41" X 16" X 2" WITH  
NOTCH & TIES  
NO BACK CUSHION

CUSHION SHOWN IN DASHED LINES



FRONT ELEVATION



SIDE ELEVATION

**KENNETH LYNCH & SONS**

114 WILLENBROCK ROAD  
OXFORD, CT 06478  
PHONE 203-264-2831  
FAX 203-264-2833

FC43 TWO SEAT SETTEE

WALDEN BACK FILIGREE SEAT DIANA LEGS

MATERIAL: CAST ALUMINUM, WELDED

#FC43 WALDEN 2 SEAT SETTEE

Scale: 3/4"=1'-0" Date: 9/10/20 Drawn: M.T.D.