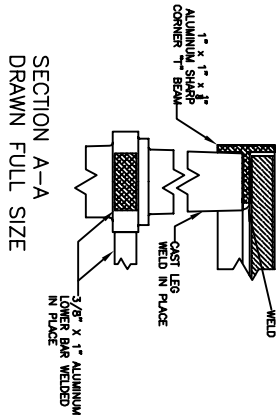
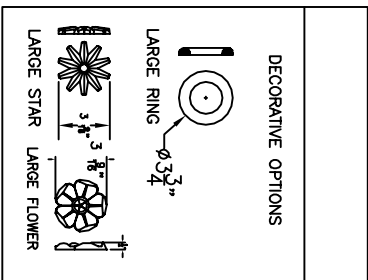
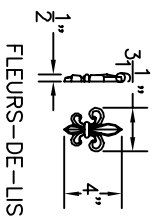
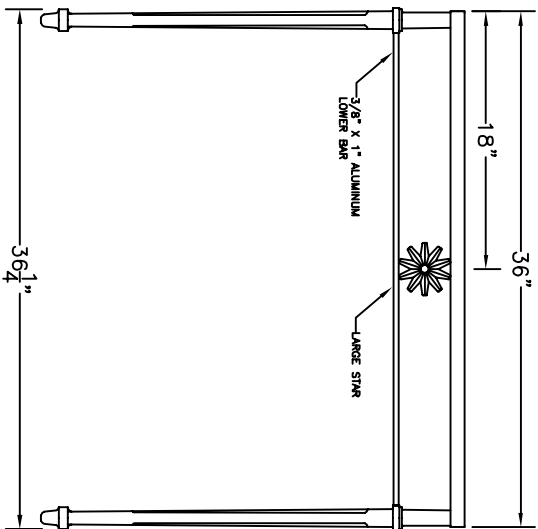
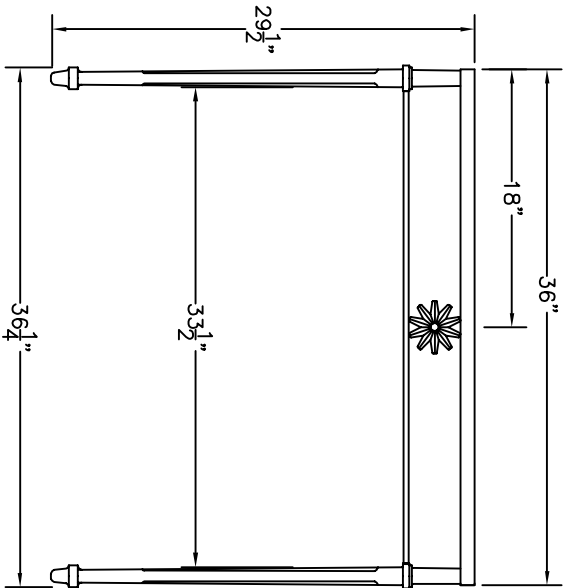
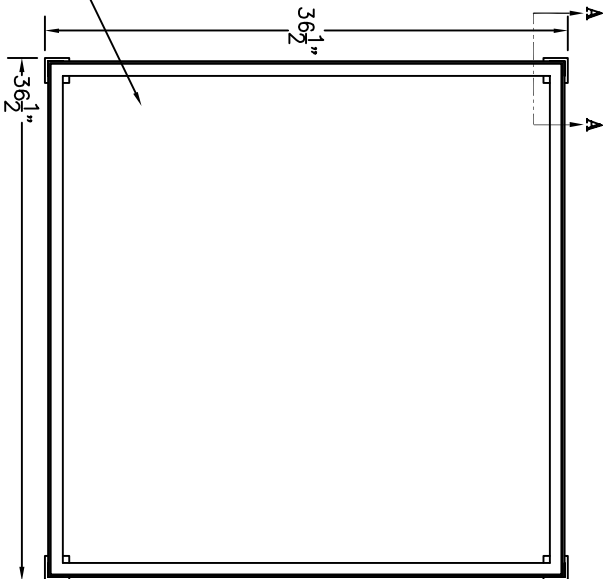


ALTERNATIVE ORNAMENTS



3/8" X 35 5/8" X 35 5/8"
GLASS TOP



FC31 Dining Table Square	
Model FC31-SQ	Date: 9/10/93
114 KENNETH LYNCH & SONS ROAD MILWAUKEE, WI 53219 PHONE: 262-264-2831 FAX: 262-264-2833	
MATERIAL: CAST ALUMINUM, WELDED	
#FC31 DINING TABLE - 36 In sq	