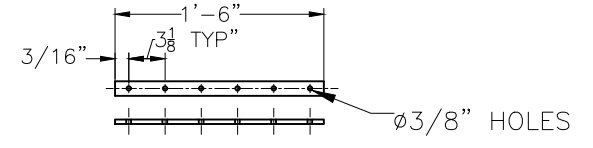
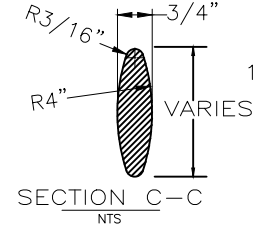
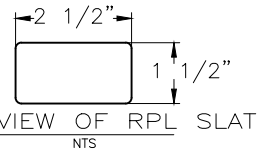


CHANNEL BRACE FOR RPL SLATS 4 REQ'D
MAT'L: 3/16" x 2" x 1" STEEL CHANNEL



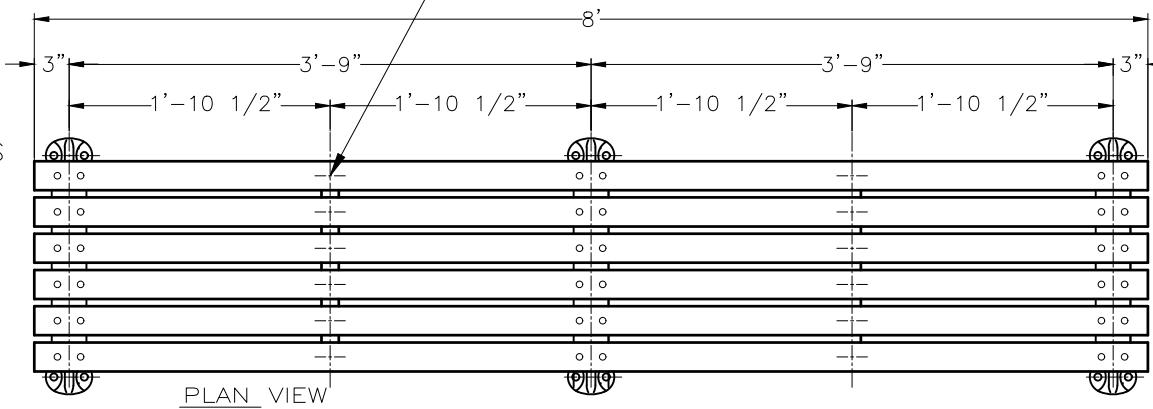
SEAT BRACE FOR RPL SLATS 2 REQ'D
3/8" x 1 1/4" x 19" HRS



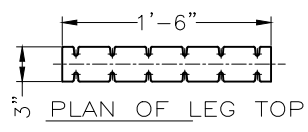
RPL IS HELD TO THE BRACES BY TAPERED SCREWS WHICH ARE DRIVEN INTO THE RPL FROM THE BACK AND BOTTOM AND ARE NOT VISIBLE FROM ABOVE. McMASTER #95638A317 PIN-IN-TORX TAMPER RESIST SHEET METAL SCREW 18-8 STAINLESS STEEL, BUTTON HEAD, NO 14 SIZE, 1-1/2" LENGTH NOT VISIBLE FROM FRONT OF BENCH.



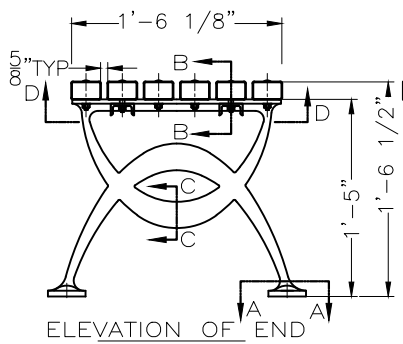
SECTION VIEW RPL BENCH SLAT WITH CROSS BRACE & SCREW - USED ON SEAT BRACES FROM BOTTOM



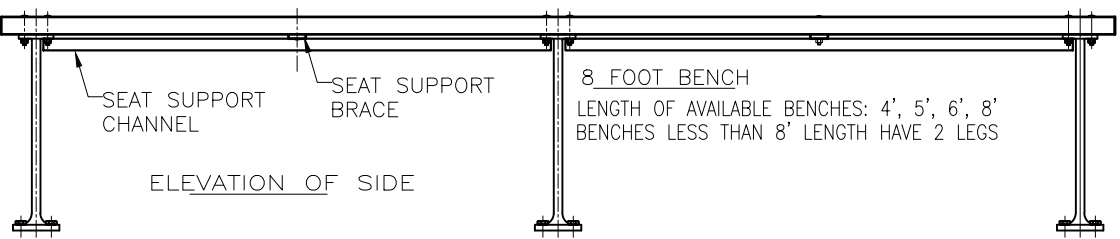
PLAN VIEW



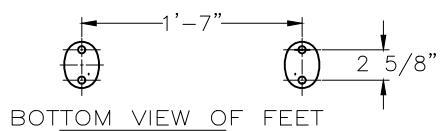
PLAN OF LEG TOP



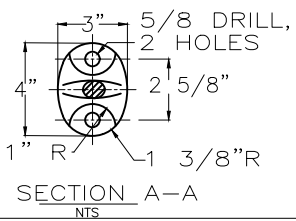
ELEVATION OF END



ELEVATION OF SIDE



BOTTOM VIEW OF FEET



SECTION A-A NTS

COLOR:
RPL _____
CI & STEEL: GRAY ALUMINUM 9007

MATERIALS:
BENCH LEGS: CAST DUCTILE IRON
RPL BRACES: 3/8" X 1 1/4" HRS
3/16" X 1" X 2" STEEL CHANNEL
SLATS: RECYCLED PLASTIC LUMBER
SMALL FASTENERS (CARRIAGE BOLTS, NUTS, WASHERS & SCREWS)=STAINLESS STEEL

KENNETH LYNCH & SONS
114 WILLENBROCK ROAD OXFORD, CT 06478
PHONE 203-264-2831 FAX 203-264-2833

6746 1964 WORLDS FAIR BENCH NEW DESIGN

Scale FAX	Date 3/12/12	Drawn S.L.A.
RECYCLED PLASTIC SLATS		8' LONG
BACKLESS	CONTRACT #	
#6746-8-RPL-FX 2012 NYC		

NOTE: THIS DRAWING VARIES FROM STANDARD IN THAT THE DISTANCE FROM THE EDGE OF THE SLATS TO THE CENTER OF THE LEG IS 3 INCHES.

8 FOOT BENCH
LENGTH OF AVAILABLE BENCHES: 4', 5', 6', 8'
BENCHES LESS THAN 8' LENGTH HAVE 2 LEGS