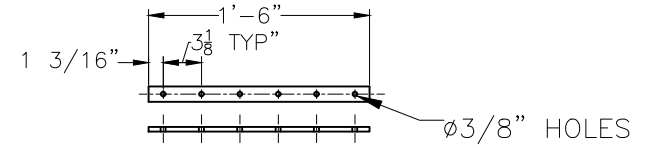
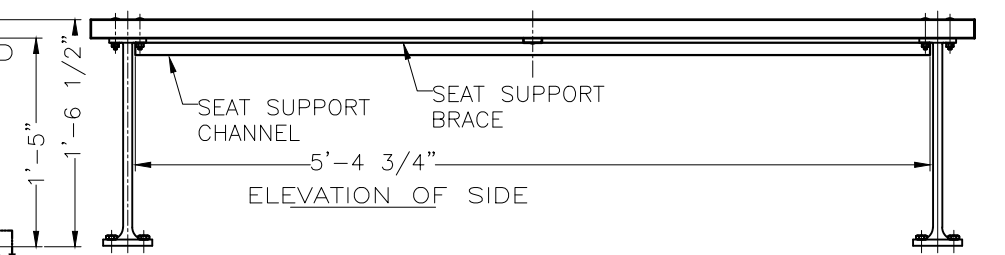
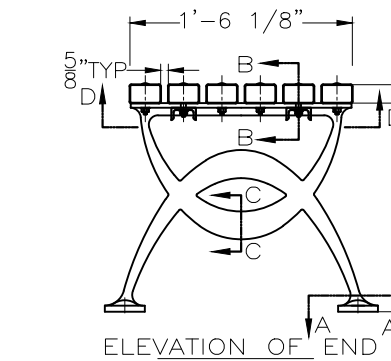
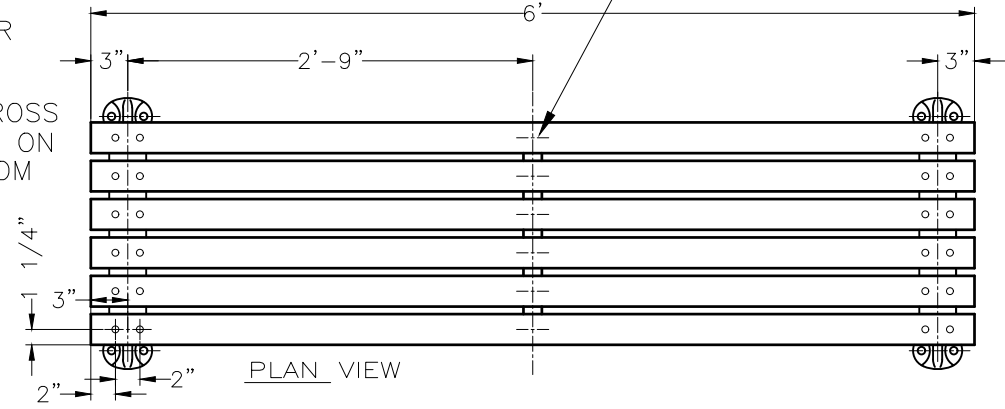
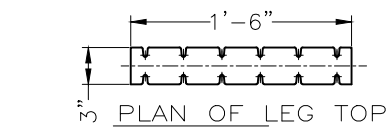
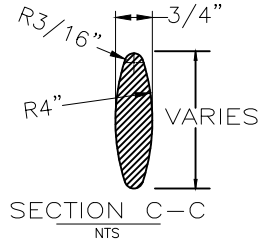
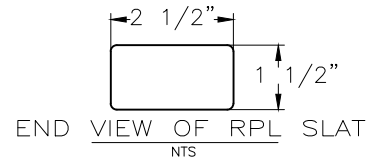


RPL IS HELD TO THE BRACES BY TAPERED SCREWS WHICH ARE DRIVEN INTO THE RPL FROM THE BACK AND BOTTOM AND ARE NOT VISIBLE FROM ABOVE. McMASTER #95638A317 PIN-IN-TORX TAMPER RESIST SHEET METAL SCREW 18-8 STAINLESS STEEL, BUTTON HEAD, NO 14 SIZE, 1-1/2" LENGTH NOT VISIBLE FROM FRONT OF BENCH.

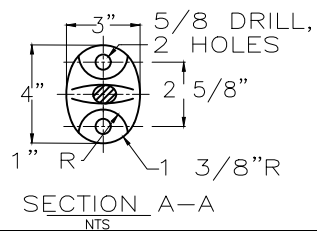
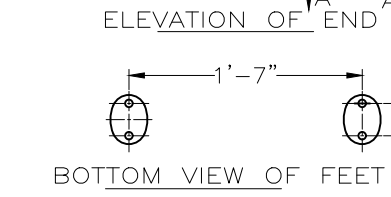


SEAT BRACE FOR RPL SLATS 1 REQ'D 3/8" x 1 1/4" x 18" HRS

SECTION VIEW RPL BENCH SLAT WITH CROSS BRACE & SCREW - USED ON SEAT BRACES FROM BOTTOM



6 FOOT BENCH  
LENGTH OF AVAILABLE BENCHES: 3', 4', 5', 6', 7', 8'  
BENCHES LONGER THAN 6' LENGTH HAVE 3 LEGS



COLOR:  
RPL \_\_\_\_\_  
CI & STEEL: BLACK

MATERIALS:  
BENCH LEGS: CAST DUCTILE IRON  
RPL BRACES: 3/8" x 1 1/4" HRS  
& 3/16" x 1" x 2" STEEL CHANNEL  
SLATS: RECYCLED PLASTIC LUMBER  
SMALL FASTENERS (CARRIAGE BOLTS, NUTS, WASHERS & SCREWS): STAINLESS STEEL

NOTE: THIS DRAWING VARIES FROM STANDARD IN THAT THE DISTANCE FROM THE EDGE OF THE SLATS TO THE CENTER OF THE LEG IS 3 INCHES.

KENNETH LYNCH & SONS  
114 WILLENBROCK ROAD OXFORD, CT 06478  
PHONE 203-264-2831 FAX 203-264-2833

6746		1964 WORLDS FAIR BENCH NEW DESIGN	
Scale FAX	Date 11/4/15	Drawn S.L.A.	
RECYCLED PLASTIC SLATS		6' LONG	
BACKLESS	CONTRACT #		
#6746-6-RPL-FX NYC			