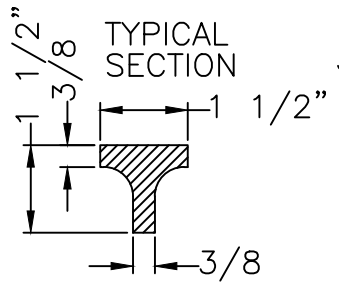
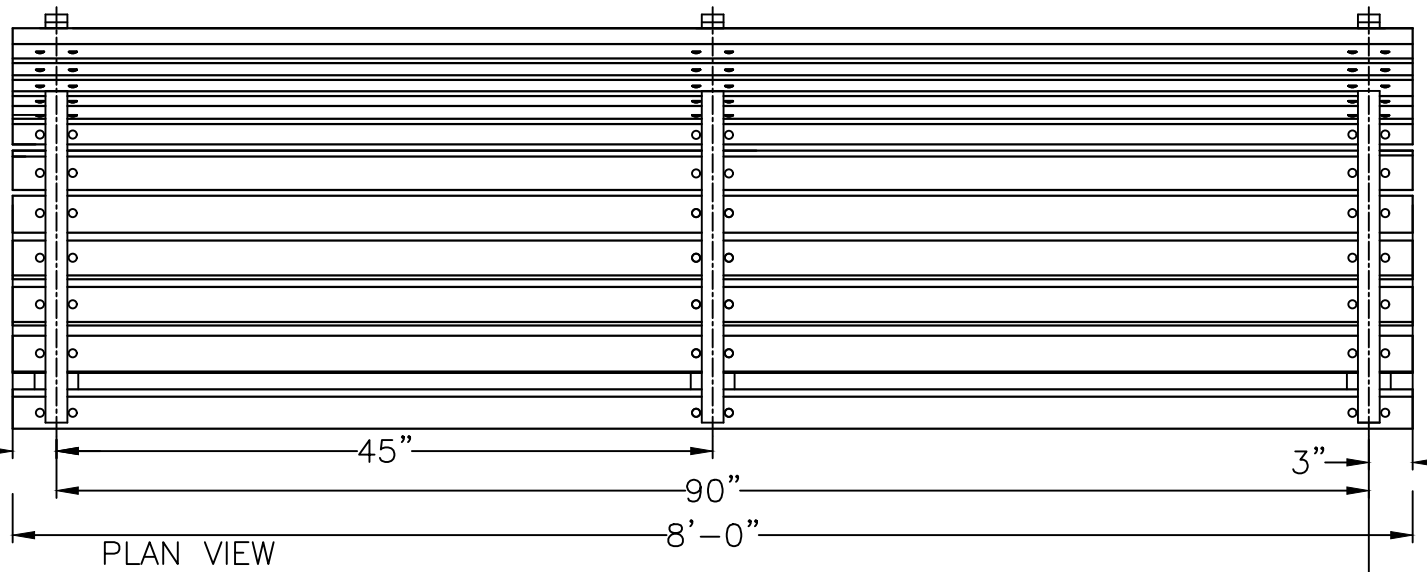


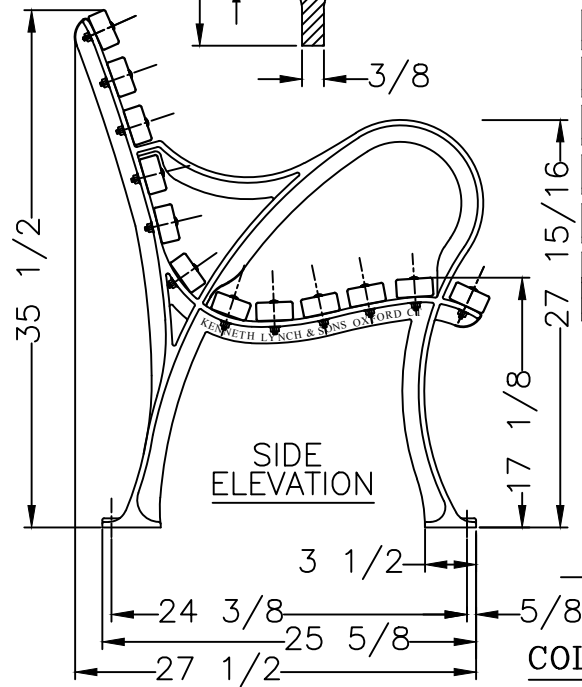
END VIEW OF WOOD SLAT  
IPE/BETHABARA /TABEUIA



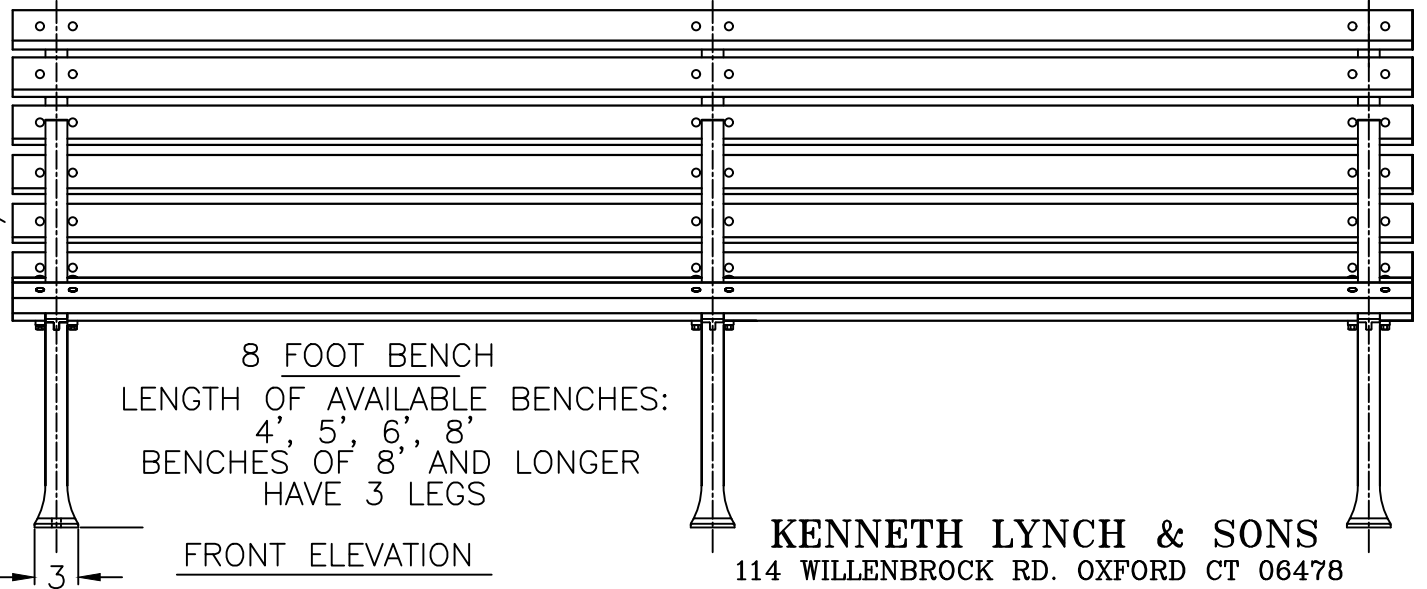
TYPICAL SECTION



PLAN VIEW



SIDE ELEVATION



FRONT ELEVATION

8 FOOT BENCH  
LENGTH OF AVAILABLE BENCHES:  
4', 5', 6', 8'  
BENCHES OF 8' AND LONGER  
HAVE 3 LEGS

COLORS:  
LEGS: BLACK POWDER COAT  
SLATS: NATURAL IPE

MATERIALS:  
BENCH LEGS: CAST DUCTILE IRON  
WOOD SLATS: IPE(BEETHABARA)/TABEUIA  
SMALL FASTENERS (CARRIAGE BOLTS, NUTS AND WASHERS) STAINLESS STEEL

**KENNETH LYNCH & SONS**  
114 WILLENBROCK RD. OXFORD CT 06478  
203-264-2821 FAX 203-264-2833

Revised:	Dr. By:	6740 HERMANN (HOUSTON) BENCH	
5/11/12	S.L.A.	Scale FAX	Date 9/17/10
		Drawn S.L.A.	
		GENERAL LAYOUT	
		8' BENCH	
		MAT: SEE NOTES	
		#6740-8 FX	