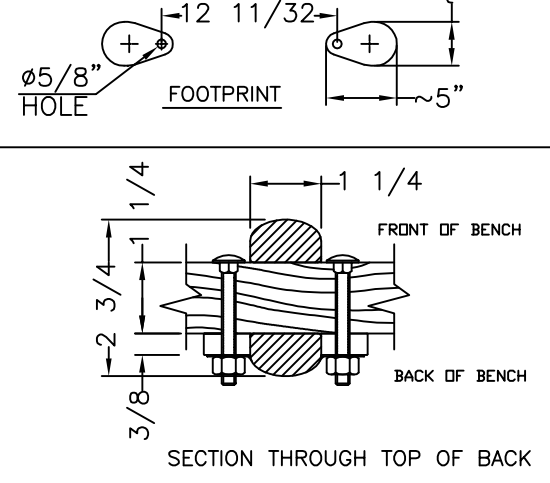


**FRONT ELEVATION**  
**8 FOOT BENCH**  
 LENGTH OF AVAILABLE BENCHES: 4', 5', 6', 8'  
 BENCHES OF LESS THAN 8' LENGTH HAVE 2 LEGS

**FINISH:**  
 GALVANIZED WITH SEMI-GLOSS BLACK  
 POWDER COAT



**KENNETH LYNCH & SONS**  
 114 WILLENBROCK ROAD OXFORD, CT 06478  
 PHONE 203-264-2831 FAX 203-264-2833

**MATERIALS:**  
 BENCH LEGS: CAST DUCTILE IRON WITH  
 3/4"Ø STEEL BARS CAST IN.  
 WOOD SLATS: IPE (BETHABARA)/TABEBUIA  
 SMALL FASTENERS (CARRIAGE BOLTS, NUTS AND  
 WASHERS) STAINLESS STEEL  
 TIE ROD: 5/8" DIA HOT ROLLED STEEL WITH  
 5/8 - 11 CUT THREADS  
 & GALVANIZED STEEL HEX NUTS

<b>6739 BENCH</b>		
Scale: FAX	Date 10/8/13	Drawn S.L.A.
<b>8' LENGTH</b>	<b>WITH ANCHOR PLATES</b>	
MAT: SEE NOTES	6739-8-FP-FAX	