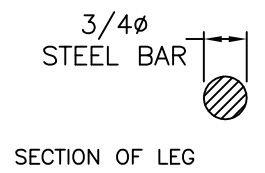
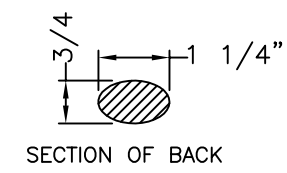
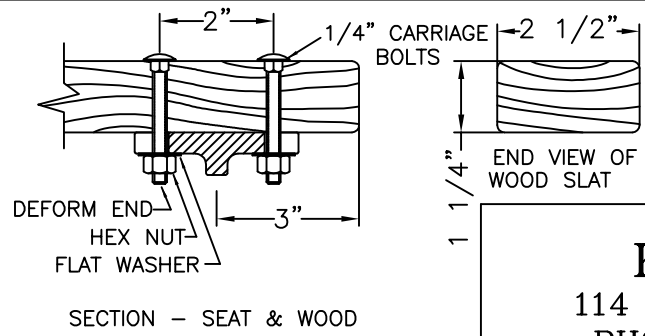
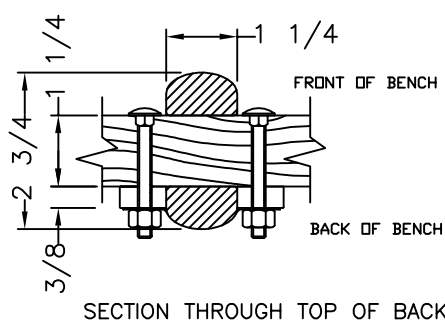


6 FOOT BENCH
 LENGTH OF AVAILABLE BENCHES: 4', 5', 6', 8'
 BENCHES OF LESS THAN 8' LENGTH HAVE 2 LEGS



KENNETH LYNCH & SONS
 114 WILLENBROCK ROAD OXFORD, CT 06478
 PHONE 203-264-2831 FAX 203-264-2833

MATERIALS:
 BENCH LEGS: CAST DUCTILE IRON WITH
 3/4" ϕ STEEL BARS CAST IN.
 WOOD SLATS: IPE (BETHABARA)/TABEBUIA
 SMALL FASTENERS (CARRIAGE BOLTS, NUTS &
 WASHERS) STAINLESS STEEL
 TIE ROD: 5/8" DIA HOT ROLLED STEEL WITH
 5/8 - 11 CUT THREADS 5" IN FROM ENDS,
 58" TOTAL LENGTH & STEEL HEX NUTS

Revised:	Dr. By:	6739 BENCH	
		Scale: FAX	Date 10/8/13
		6' LENGTH WITH ANCHOR PLATES	
		MAT: SEE NOTES	#6739-6-FP-FAX