

SECTION A-A
FULL SIZE

BRACE
FLAT WASHER
HEX NUT
DEFORM END

SECTION B-B
FULL SIZE

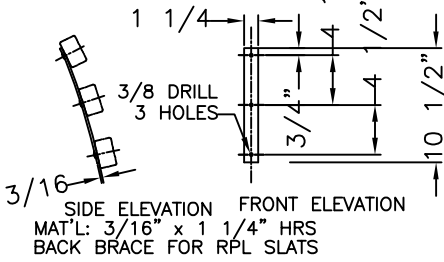
SECTION C-C
FULL SIZE

SECTION D-D
FULL SIZE

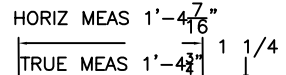
SECTION C-C
FULL SIZE

RPL IS HELD TO THE BRACES BY TAPERED SCREWS WHICH ARE DRIVEN INTO THE RPL FROM THE BACK AND BOTTOM AND ARE NOT VISIBLE FROM ABOVE. McMASTER #95638A317 PIN-IN-TORX TAMPER RESIST SHEET METAL SCREW 18-8 STAINLESS STEEL, BUTTON HEAD, NO 14 SIZE, 1-1/2" LENGTH NOT VISIBLE FROM FRONT OF BENCH.

SECTION VIEW OF RPL BENCH SLAT WITH CROSS BRACE & SCREW - USED ON SEAT & BACK BRACES FROM BOTTOM & BACK OF BRACES - 16 REQ'D

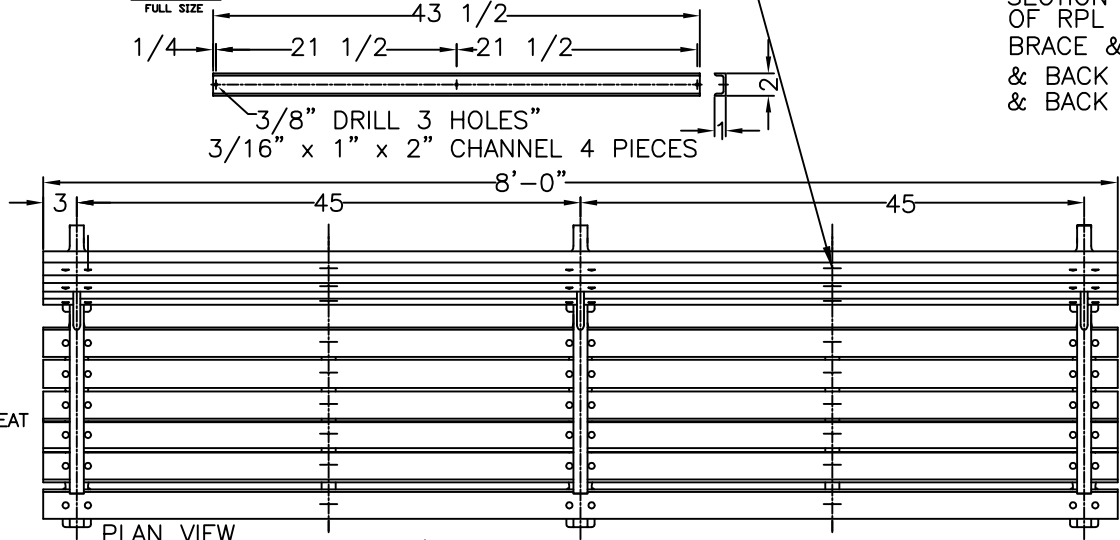


SIDE ELEVATION FRONT ELEVATION
MAT'L: 3/16" x 1 1/4" HRS
BACK BRACE FOR RPL SLATS

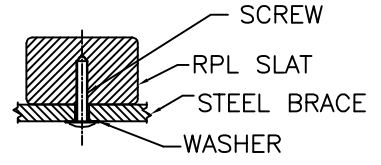


PLAN VIEW SIDE VIEW
SIX Ø3/8" HOLES TO MATCH THE EXISTING 6737 BENCH SEAT

MAT'L: 3/8" x 1 1/4" HRS
SEAT BRACE FOR RPL SLATS



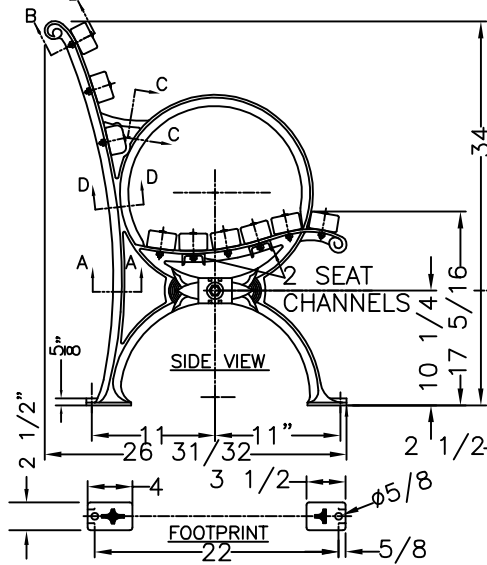
PLAN VIEW



HEX NUT ON Ø5/8" HOT ROLLED STEEL BAR

5/16-18 HEX SOC. SET SCREW SECTION OF LEG HUB

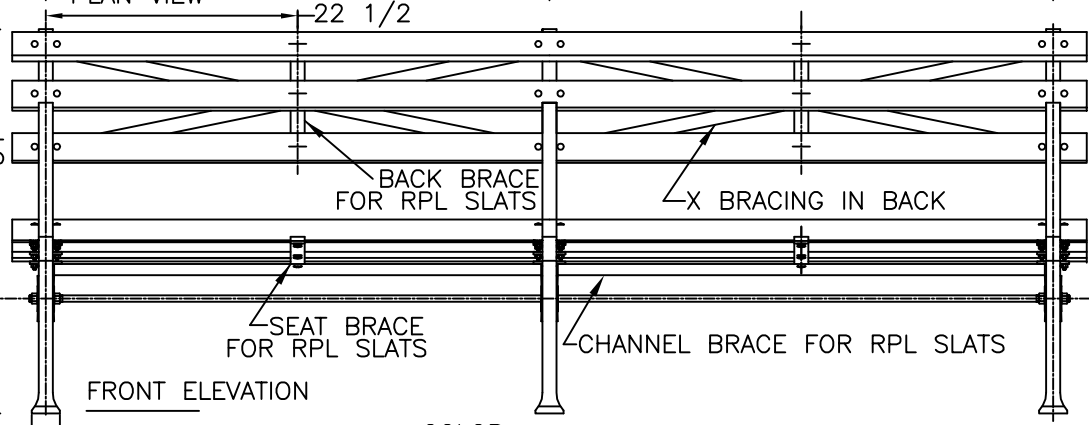
NOTE: THIS DRAWING VARIES FROM STANDARD IN THAT THE DISTANCE FROM THE EDGE OF THE SLATS TO THE CENTER OF THE LEG IS 3 INCHES.



SIDE VIEW

FOOTPRINT

WHEN USED, ANCHOR BOLTS ARE TO BE INSTALLED IN EACH FOOT OF EACH LEG.



FRONT ELEVATION

COLOR:
RPL
CI & STEEL: BLACK

MATERIALS:
X-BRACING: 3/16" X 1 1/4" HOT ROLLED STEEL
BENCH LEGS: CAST DUCTILE IRON
BENCH SLATS: RPL (RECYCLED PLASTIC LUMBER)
SMALL FASTENERS (CARRIAGE BOLTS, NUTS AND WASHERS) STAINLESS STEEL
TIE ROD: 5/8" DIA HOT ROLLED STEEL WITH 5/8 - 11 CUT THREADS & STEEL HEX NUTS
BRACES FOR RPL: 3/16" & 3/8" x 1 1/4" HRS
CHANNELS FOR RPL: 3/16" x 1" x 2" STEEL

KENNETH LYNCH & SONS

114 WILLENBROCK RD.
OXFORD, CT 06478
PH: 203-264-2831
FAX 203-264-2833

6737 WORLDS FAIR BENCH		
Scale FAX	Date 2/6/12	Drawn S.L.A.
RECYCLED PLASTIC SLATS		8' LONG
3 LEGS	CONTRACT #	
#6737-8-RPL-FX-2012 NYC		