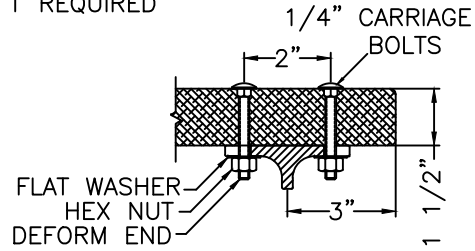
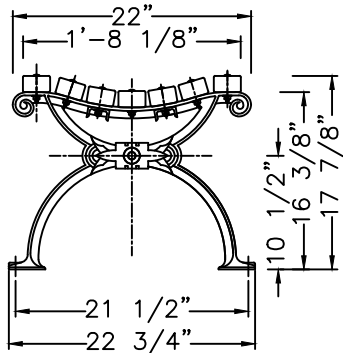


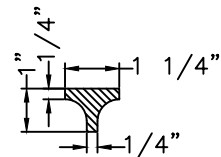
SEAT BRACE FOR RPL
3/8" X 1 1/4" HRS.
1 REQUIRED



SECTION A-A - LEG & SLAT



SIDE ELEVATION



TYPICAL SECTION

WHEN USED, ANCHOR BOLTS ARE TO BE INSTALLED IN EACH FOOT OF EACH LEG.

COLOR:

RPL _____

CI & STEEL: POWDER COAT BLACK

MATERIALS:

BENCH LEGS: CAST DUCTILE IRON

SEAT SLATS: RECYCLED PLASTIC LUMBER (RPL)

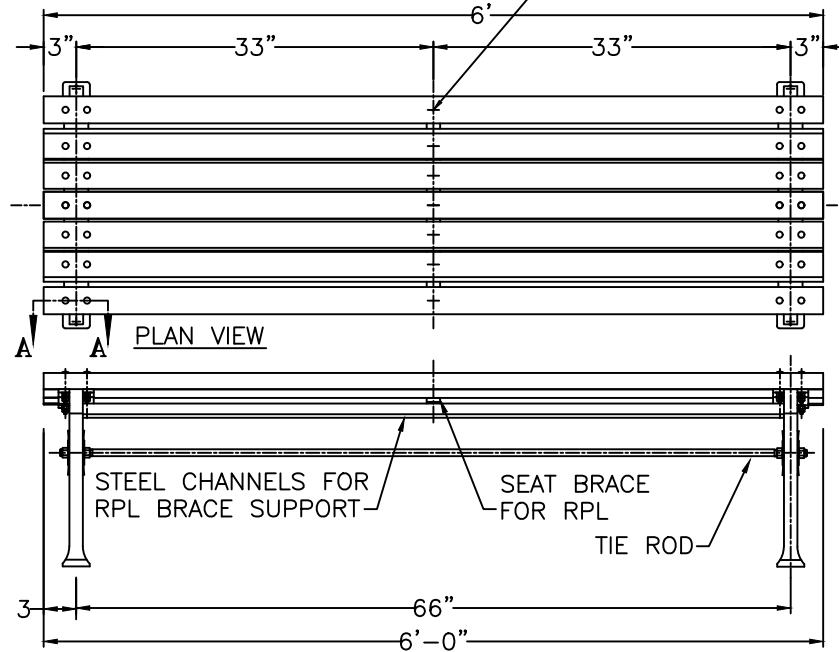
SMALL FASTENERS (CARRIAGE BOLTS, NUTS AND WASHERS) STAINLESS STEEL

TIE ROD: 5/8" DIA HOT ROLLED STEEL WITH 5/8 - 11 CUT THREADS & STEEL HEX NUTS

CROSS BRACE: 3/8" x 1 1/4" HOT ROLLED STEEL

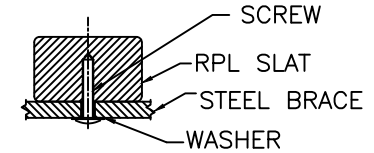
LONG BRACE: 3/16" x 1" x 2" STEEL CHANNEL

CHANNEL BRACE FOR RPL SLATS
MAT'L: 3/16" x 1" x 2" STEEL CHANNEL
2 REQUIRED

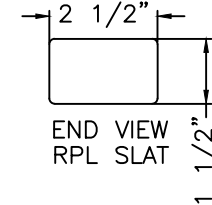


FRONT ELEVATION

RPL IS HELD TO THE BRACES BY TAPERED SCREWS WHICH ARE DRIVEN INTO THE RPL FROM THE BOTTOM AND ARE NOT VISIBLE FROM ABOVE. McMASTER #95638A317 PIN-IN-TORX TAMPER RESIST SHEET METAL SCREW 18-8 STAINLESS STEEL, BUTTON HEAD, NO 14 SIZE, 1-1/2" LENGTH NOT VISIBLE FROM TOP OF BENCH.



SECTION VIEW OF RL BENCH SLAT
CROSS BRACE - PLACED UNDER THE SLAT AND OVER THE CHANNEL



END VIEW
RPL SLAT

6 FOOT BENCH

LENGTH OF AVAILABLE BENCHES:

4', 5', 6', 8'

8' BENCH HAS THREE LEGS

NOTE: THIS DRAWING VARIES FROM STANDARD IN THAT THE DISTANCE FROM THE EDGE OF THE SLATS TO THE CENTER OF THE LEG IS 3 INCHES.

KENNETH LYNCH & SONS

114 WILLENBROCK ROAD OXFORD, CT 06478

PHONE 203-264-2831 FAX 203-264-2833

| | | | |
|----------|---------|---------------------------------|--------------|
| Revised: | Dr. By: | 6736 WORLDS FAIR BACKLESS BENCH | |
| 12/14/09 | S.L.A. | Scale: FAX | Date 10/8/99 |
| 2/9/12 | S.L.A. | Drawn S.L.A. | |
| | | RECYCLED PLASTIC SLATS | 6' LONG |
| | | MAT'L: AS NOTED | CONTRACT # |
| | | #6736-6-RPL-FX-2012 NYC | |