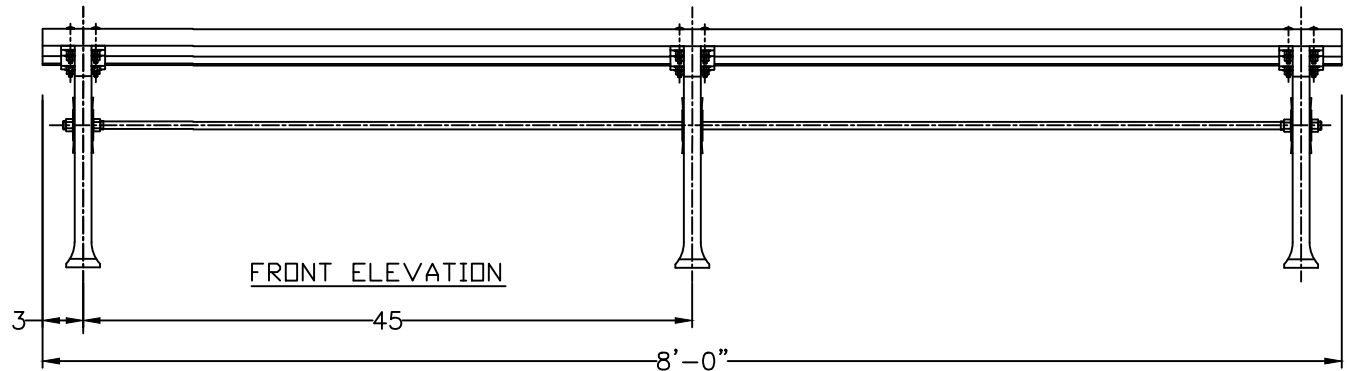
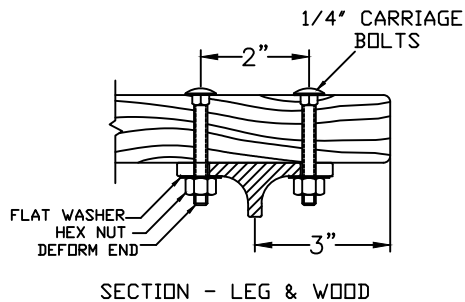


SIDE ELEVATION

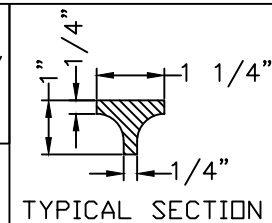
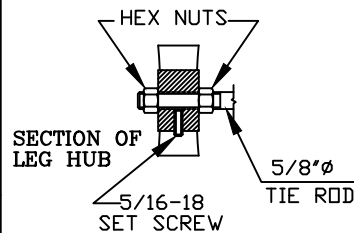


FRONT ELEVATION

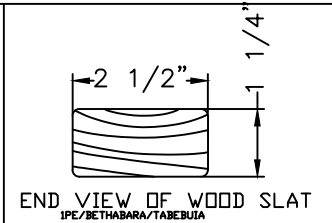


SECTION - LEG & WOOD

8 FOOT BENCH  
 LENGTH OF AVAILABLE BENCHES: 4', 5', 6', 8'  
 BENCHES OF LESS THAN 8' LENGTH  
 HAVE 2 LEGS



TYPICAL SECTION



END VIEW OF WOOD SLAT  
 IPE/BETHABARA/TABEUUA

**KENNETH LYNCH & SONS**

84 DANBURY RD. WILTON, CT 06897  
 203-762-8363 FAX 203-762-2999

**MATERIALS:**

**BENCH LEGS:** CAST DUCTILE IRON  
**WOOD SLATS:** IPE (BETHABARA)/TABEUUA  
**SMALL FASTENERS (CARRIAGE BOLTS, NUTS AND WASHERS)** STAINLESS STEEL  
**TIE ROD:** 5/8" DIA HOT ROLLED STEEL WITH  
 5/8 - 11 CUT THREADS  
 & GALVANIZED STEEL HEX NUTS

**6736 WORLDS FAIR BACKLESS BENCH**

Scale	Date 10/8/99	Drawn S.L.A.
<b>8' LONG</b>		Rev.: 6/8/01
MAT: SEE NOTES		#6736-8FX