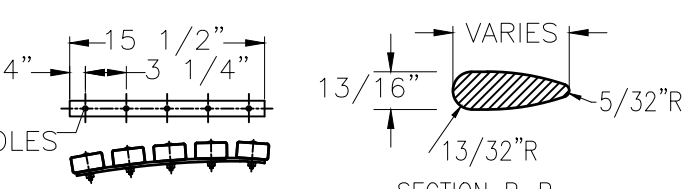
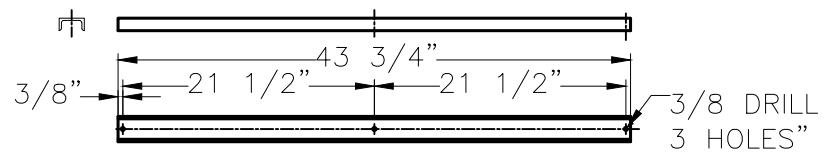


BACK BRACE FOR RPL SLATS
MAT'L: 3/8" x 1 1/4" HRS 2 REQ'D

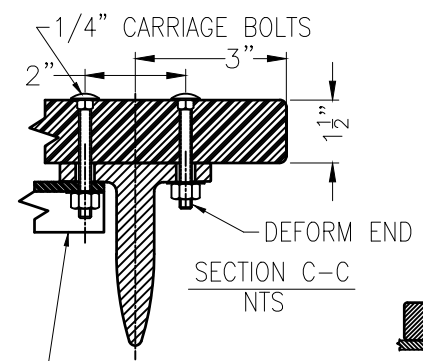


SEAT BRACE FOR RPL SLATS
3/8" x 1 1/4" x 15 1/2" HRS
2 REQ'D

SECTION B-B
NTS



CHANNEL BRACE FOR RPL SLATS
6 REQUIRED
MAT'L: 3/16" x 2" x 1" STEEL CHANNEL



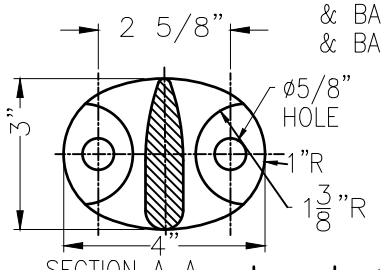
SECTION C-C
NTS

RPL IS HELD TO THE BRACES BY TAPERED SCREWS WHICH ARE DRIVEN INTO THE RPL FROM THE BACK AND BOTTOM AND ARE NOT VISIBLE FROM ABOVE. McMASTER #95638A317 PIN-IN-TORX TAMPER RESIST SHEET METAL SCREW 18-8 STAINLESS STEEL, BUTTON HEAD, NO 14 SIZE, 1-1/2" LENGTH NOT VISIBLE FROM FRONT OF BENCH.

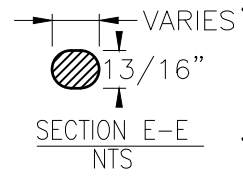
NOTE: THIS DRAWING VARIES FROM STANDARD IN THAT THE DISTANCE FROM THE EDGE OF THE SLATS TO THE CENTER OF THE LEG IS 3 INCHES.



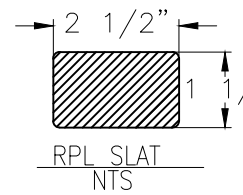
SECTION VIEW OF RPL BENCH SLAT WITH CROSS BRACE & SCREW - USED ON SEAT & BACK BRACES FROM BOTTOM & BACK OF BRACES - 16 REQ'D



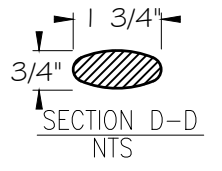
SECTION A-A
NTS



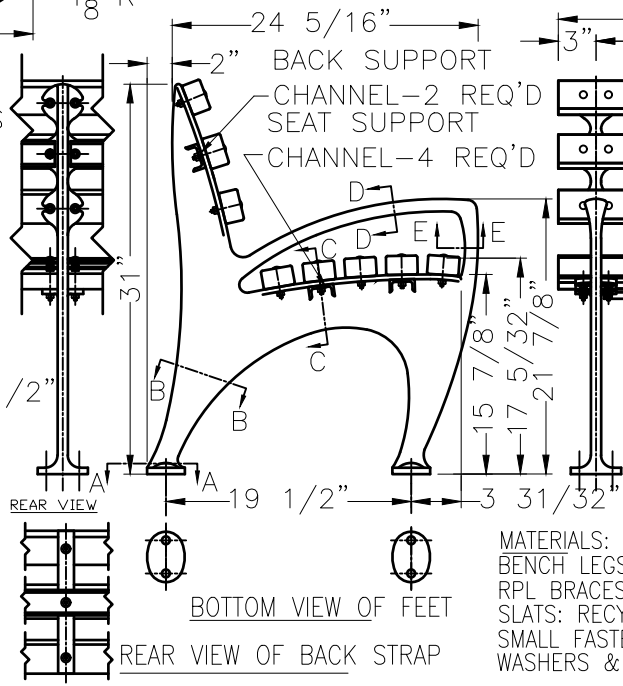
SECTION E-E
NTS



RPL SLAT
NTS

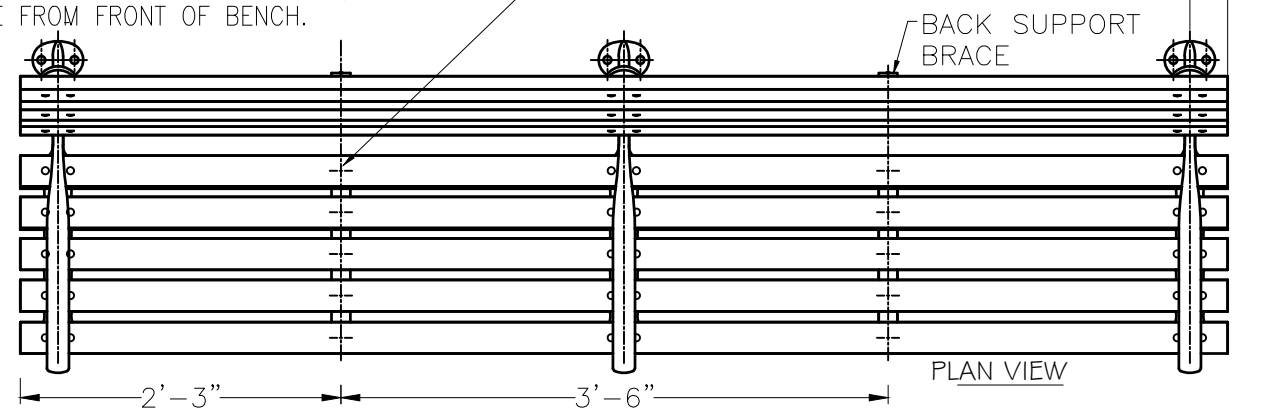


SECTION D-D
NTS

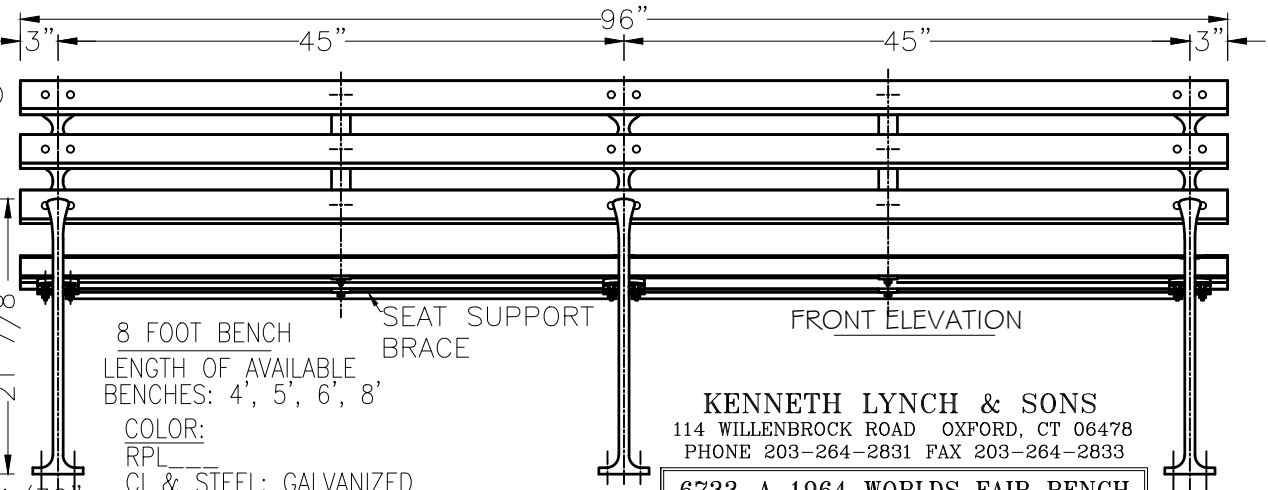


REAR VIEW OF BACK STRAP
BOTTOM VIEW OF FEET

MATERIALS:
BENCH LEGS: CAST DUCTILE IRON
RPL BRACES: HRS STRAPS & CHANNEL
SLATS: RECYCLED PLASTIC LUMBER
SMALL FASTENERS (CARRIAGE BOLTS, NUTS, WASHERS & SCREWS) = STAINLESS STEEL



PLAN VIEW



FRONT ELEVATION

8 FOOT BENCH
LENGTH OF AVAILABLE BENCHES: 4', 5', 6', 8'
COLOR:
RPL _____
CI & STEEL: GALVANIZED

KENNETH LYNCH & SONS
114 WILLENBROCK ROAD OXFORD, CT 06478
PHONE 203-264-2831 FAX 203-264-2833

6733-A 1964 WORLDS FAIR BENCH		
Revised: 6/16/16	Dr. By: S.L.A.	Scale FAX
Date 1/2/12	Drawn S.L.A.	
RECYCLED PLASTIC SLATS		8' LONG
MAT'L: AS NOTED	CONTRACT #	
#6733A-8-RPL-FX-2012 NYC		

Revised: 6/16/16	Dr. By: S.L.A.