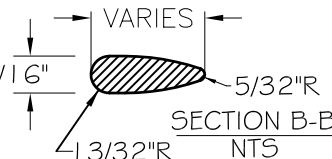
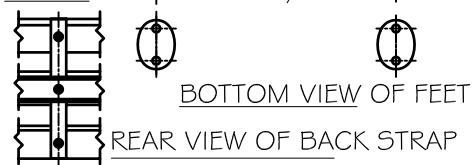
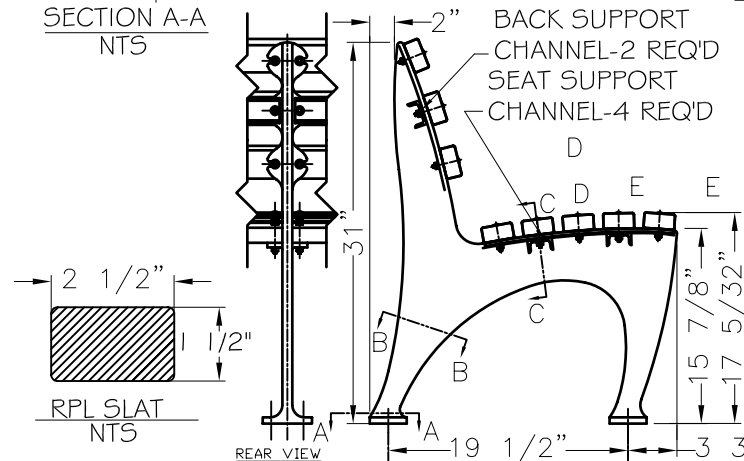
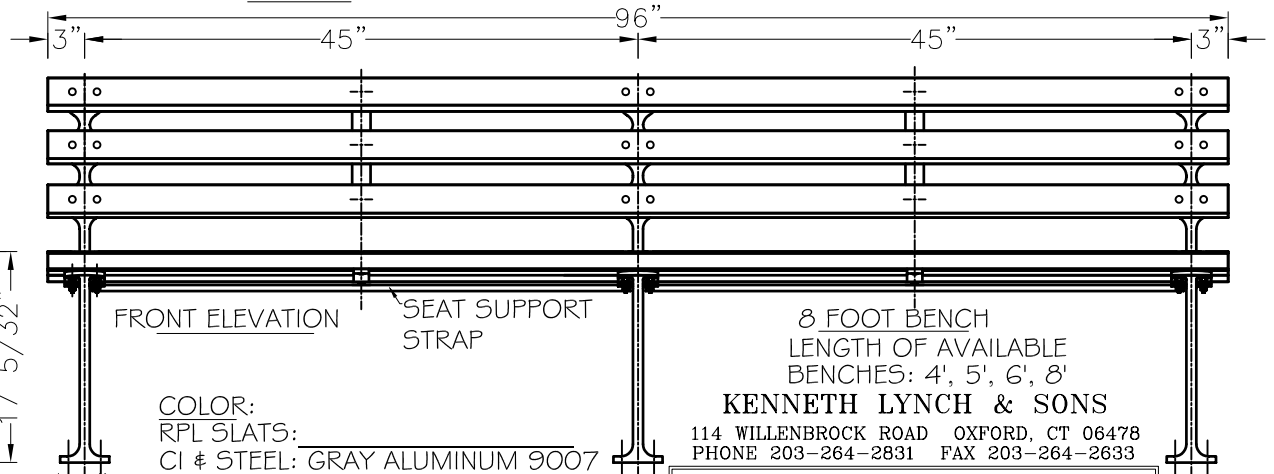
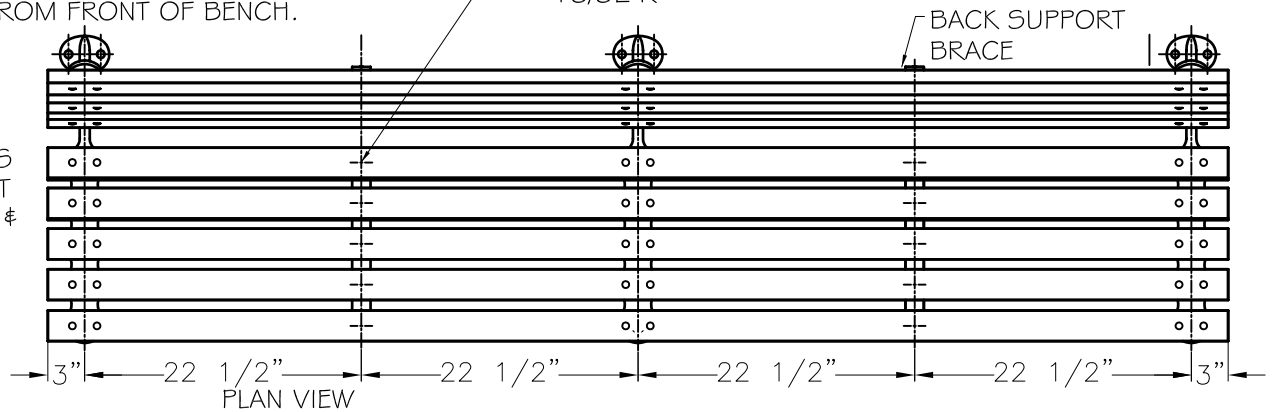
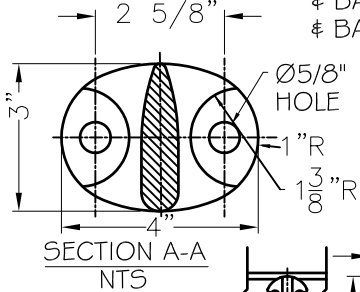


RPL IS HELD TO THE BRACES BY TAPERED SCREWS WHICH ARE DRIVEN INTO THE RPL FROM THE BACK AND BOTTOM AND ARE NOT VISIBLE FROM ABOVE. McMASTER #95638A3 17 PIN-IN-TORX TAMPER RESIST SHEET METAL SCREW 18-8 STAINLESS STEEL, BUTTON HEAD, NO 14 SIZE, 1-1/2" LENGTH NOT VISIBLE FROM FRONT OF BENCH.



NOTE: THIS DRAWING VARIES FROM STANDARD IN THAT THE DISTANCE FROM THE EDGE OF THE SLATS TO THE CENTER OF THE LEG IS 3"

SECTION VIEW OF RPL BENCH SLAT WITH CROSS BRACE & SCREW - USED ON SEAT & BACK BRACES FROM BOTTOM & BACK OF BRACES - 16 REQ'D



COLOR:
RPL SLATS:
CI & STEEL: GRAY ALUMINUM 9007
POWDER COAT

8 FOOT BENCH
LENGTH OF AVAILABLE
BENCHES: 4', 5', 6', 8'
KENNETH LYNCH & SONS
114 WILLENBROCK ROAD OXFORD, CT 06478
PHONE 203-264-2831 FAX 203-264-2633

6733 1964 WORLDS FAIR BENCH		
Scale 3"-1'-0"	Date 2/7/12	Drawn S.L.A.
RECYCLED PLASTIC SLATS	8' LONG	
CONTRACT #		
#6733-8-RPL-FX-2012 NYC		

MATERIALS:
BENCH LEGS: CAST DUCTILE IRON
RPL BRACES: HRS STRAPS & CHANNEL
SLATS: RECYCLED PLASTIC LUMBER
SMALL FASTENERS (CARRIAGE BOLTS, NUTS, WASHERS & SCREWS) = STAINLESS STEEL