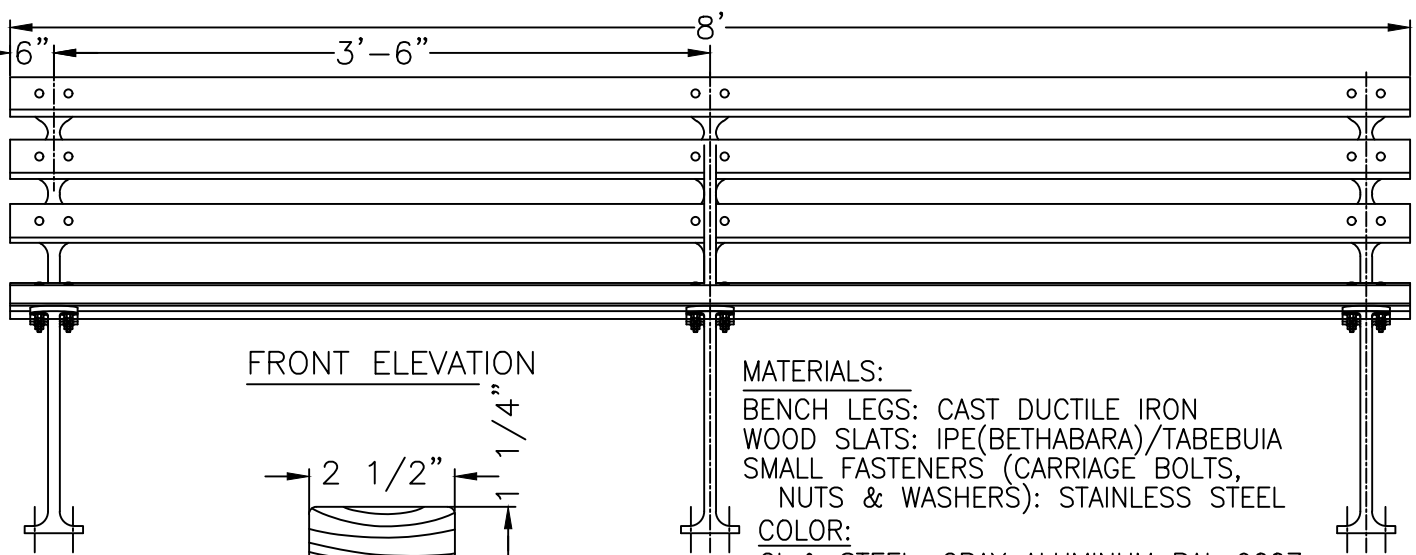
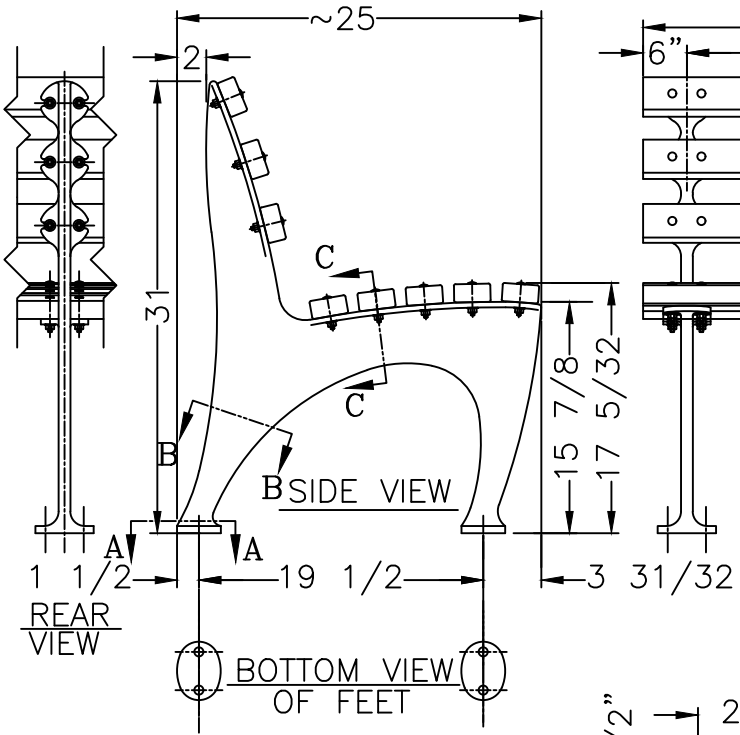
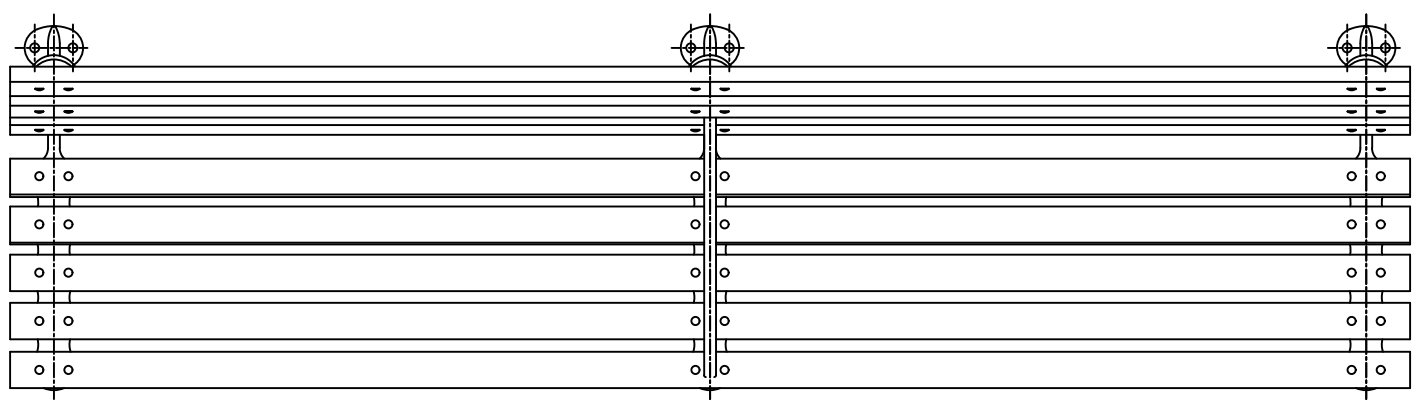
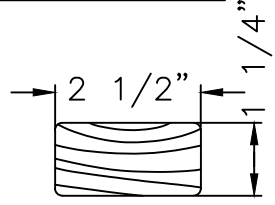


TOP VIEW



FRONT ELEVATION



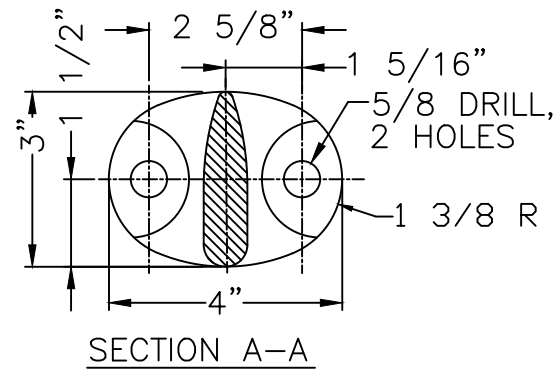
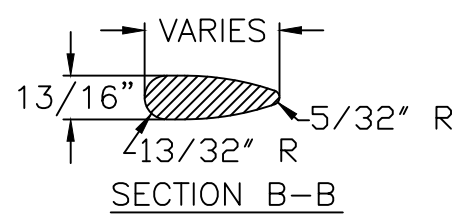
END VIEW OF WOOD SLAT

MATERIALS:
BENCH LEGS: CAST DUCTILE IRON
WOOD SLATS: IPE(BETHABARA)/TABEUIA
SMALL FASTENERS (CARRIAGE BOLTS,
NUTS & WASHERS): STAINLESS STEEL
COLOR:
CI & STEEL: GRAY ALUMINUM RAL 9007

BENCHES OF LESS THAN 8'
IN LENGTH HAVE 2 LEGS

KENNETH LYNCH & SONS

114 WILLENBROCK ROAD OXFORD, CT 06478
PHONE 203-264-2831 FAX 203-264-2833



6733		1964 FLUSHING MEADOWS CORONA PARK BENCH	
Scale FAX	Date 8/29/00	Drawn S.L.A.	
FAX DRAWING		8' LONG	
MAT: SEE NOTES		#6733-8-FX	