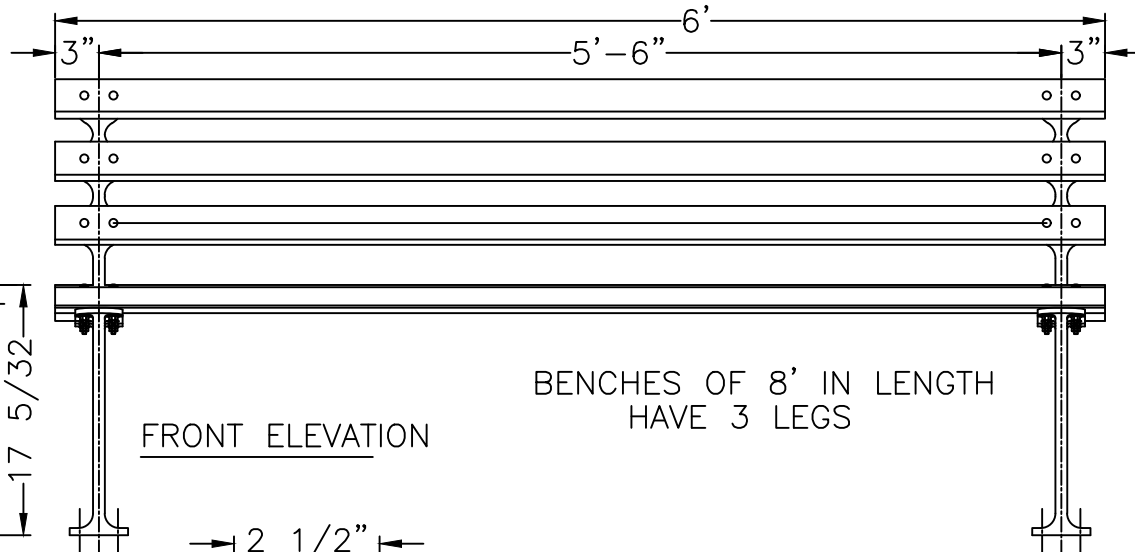
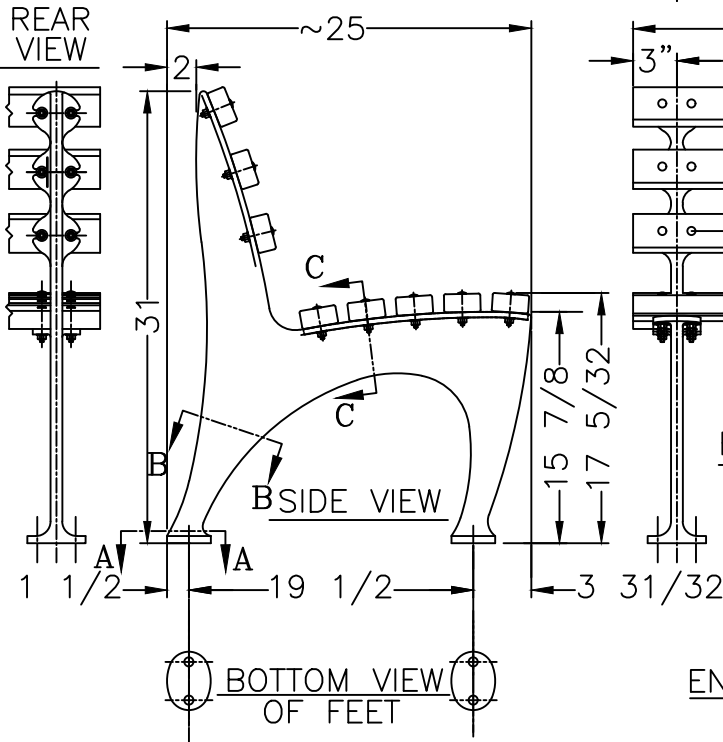
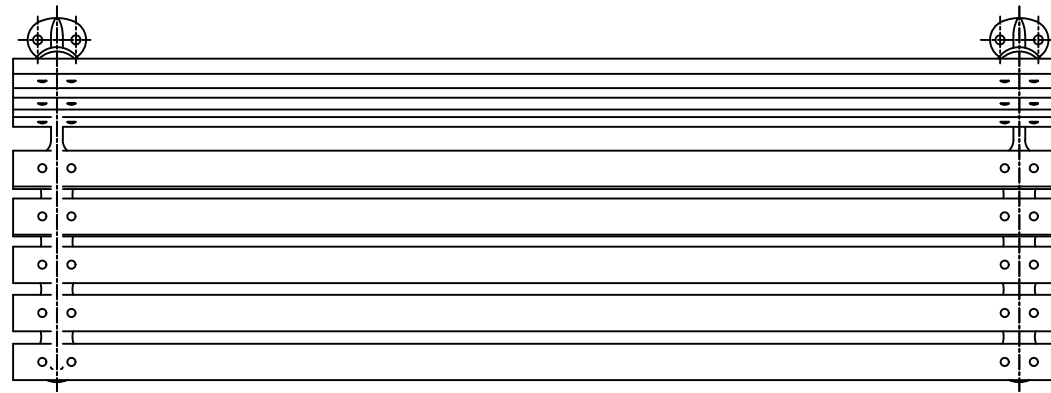


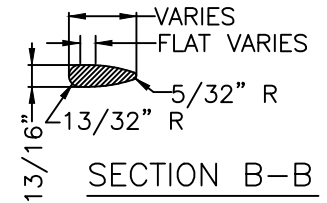
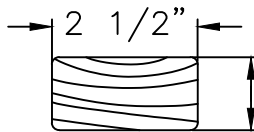
SECTION C-C

PLAN VIEW



BENCHES OF 8' IN LENGTH
HAVE 3 LEGS

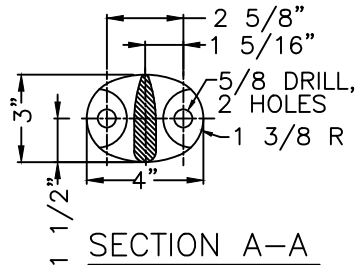
END VIEW OF WOOD SLAT



MATERIALS:

BENCH LEGS: CAST DUCTILE IRON
WOOD SLATS: IPE(BETHABARA)/TABEUIA
SMALL FASTENERS (CARRIAGE BOLTS,
NUTS & WASHERS): STAINLESS STEEL

FINISH ON LEGS & BRACES:
RAL 9007 GRAY ALUMINUM SEMI-GLOSS
OR APPROVED EQUAL.



KENNETH LYNCH & SONS

114 WILLENBROCK ROAD OXFORD CT 06478
203-264-2831 FAX 203-264-2833

6733

1964 FLUSHING MEADOWS
CORONA PARK BENCH

Scale: FAX

Date 5/4/11

Drawn S.L.A.

6' LONG

MAT: SEE NOTES

#6733-6-FX