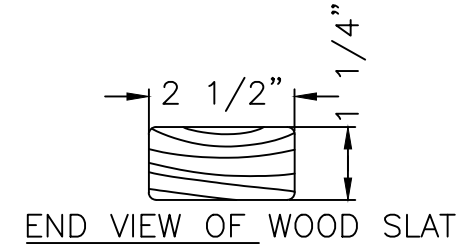
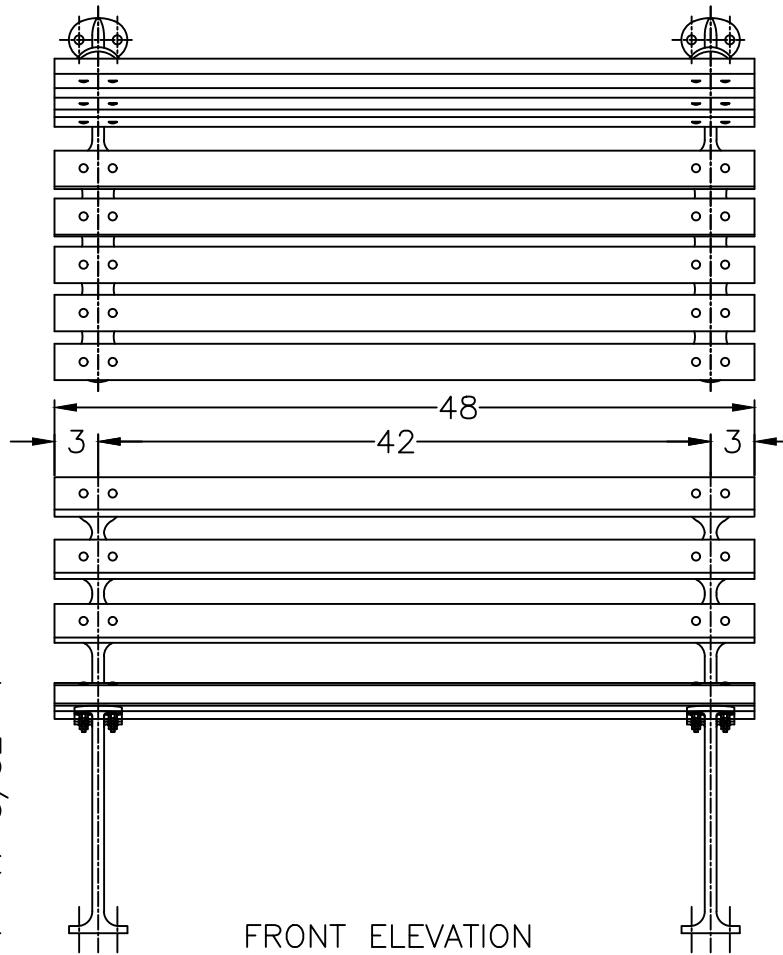


TOP VIEW



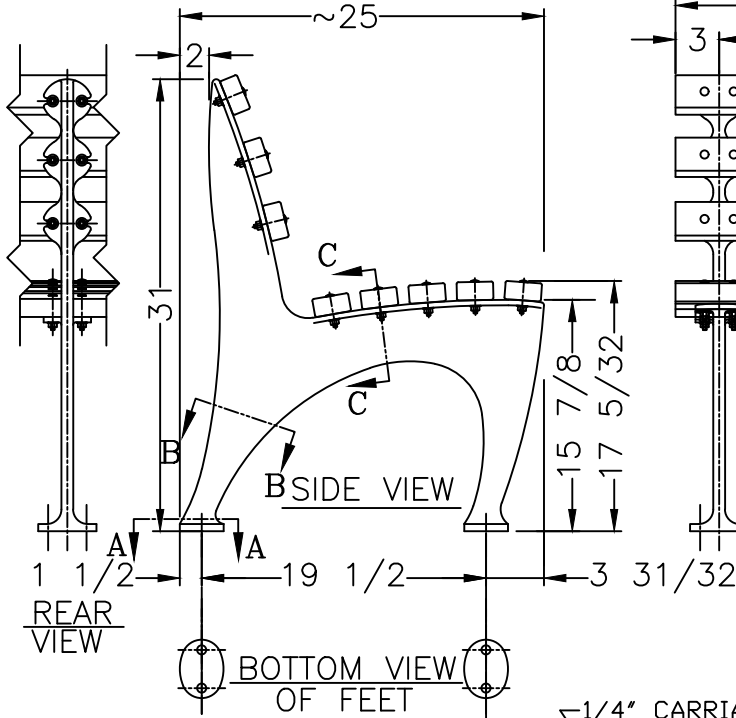
COLORS:

DUT. IRON LEGS: POWDER COAT RAL 9007  
GRAY ALUMINUM SEMI GLOSS

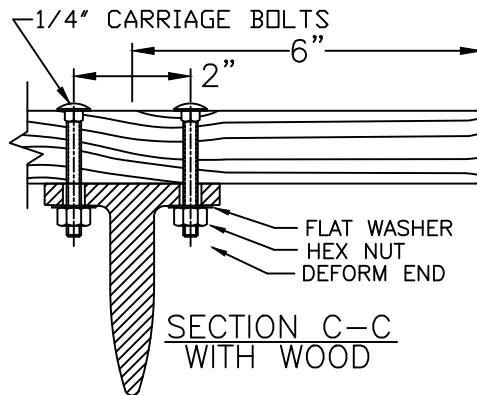
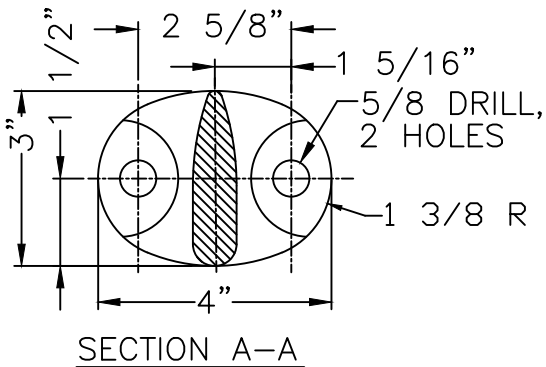
MATERIALS:

BENCH LEGS: CAST DUCTILE IRON  
WOOD SLATS: AMERICAN WHITE OAK  
SMALL FASTENERS (CARRIAGE BOLTS,  
NUTS & WASHERS): STAINLESS STEEL

BENCHES OF LESS THAN 8'  
IN LENGTH HAVE 2 LEGS



FRONT ELEVATION



**KENNETH LYNCH & SONS**

114 WILLENBROCK ROAD OXFORD, CT 06478  
PHONE 203-264-2831 FAX 203-264-2833

6733

1964 FLUSHING MEADOWS  
CORONA PARK BENCH

Scale: FAX	Date 2/2/10	Drawn: S.L.A.
WOOD SLATS: AM. WHITE OAK	MAT'L: SEE NOTES	4' LONG
COLOR OF LEGS: POWDER COAT RAL 9007	#6733-4-WO-FX	