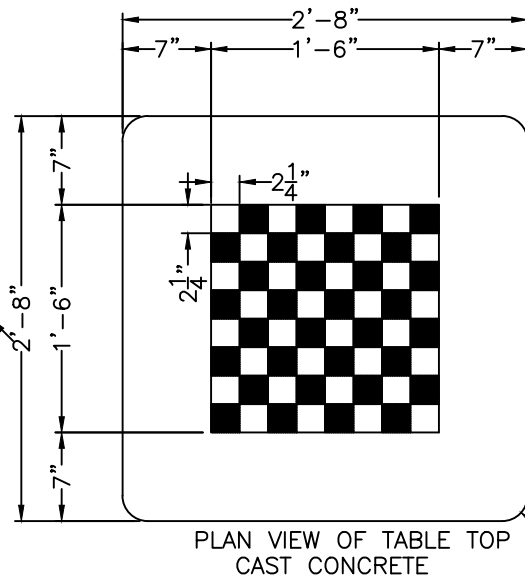
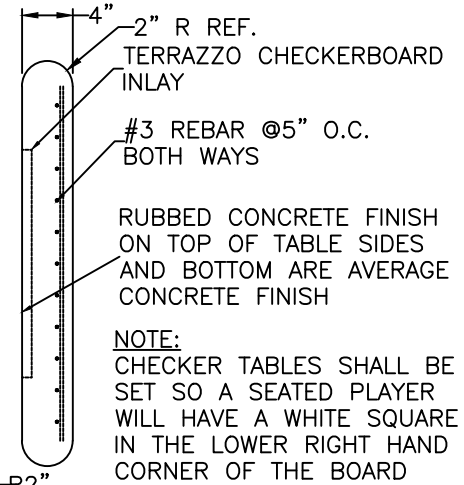


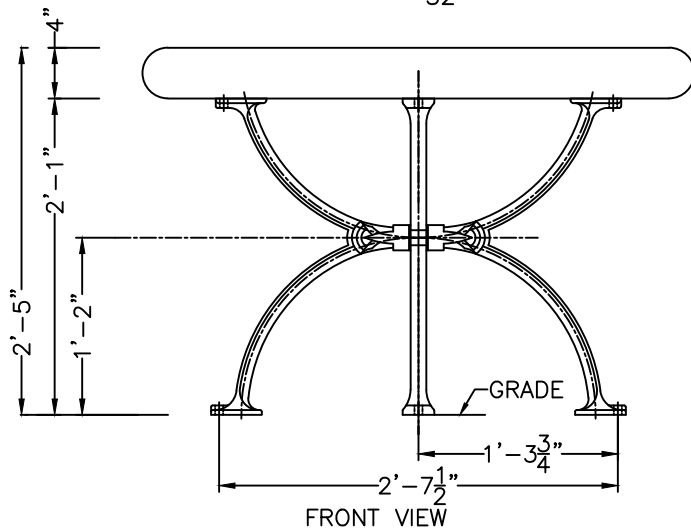
TRANSPARENT  
PLAN VIEW  
SHOWING TOPS  
OF LEGS



PLAN VIEW OF TABLE TOP  
CAST CONCRETE



NOTE:  
CHECKER TABLES SHALL BE SET SO A SEATED PLAYER WILL HAVE A WHITE SQUARE IN THE LOWER RIGHT HAND CORNER OF THE BOARD



## KENNETH LYNCH & SONS

114 WILLENBROCK ROAD  
OXFORD, CT 06478  
203-264-2831  
FAX 203-264-2833

<b>#6732 WORLD'S FAIR GAME TABLE</b>		
Scale 3"=1'-0"	Date 4/6/98	Drawn S.L.A.
<b>GENERAL LAYOUT</b>		Rev.: 11/2/10
MAT'L: CAST DUCTILE IRON		#6732 WEB