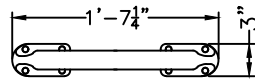


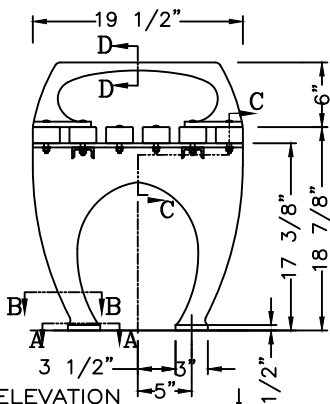
RPL IS HELD TO THE BRACES BY TAPERED SCREWS WHICH ARE DRIVEN INTO THE RPL FROM THE BACK AND BOTTOM AND ARE NOT VISIBLE FROM ABOVE. McMASTER #95638A317 PIN-IN-TORX TAMPER RESIST SHEET METAL SCREW 18-8 STAINLESS STEEL, BUTTON HEAD, NO 14 SIZE, 1-1/2" LENGTH NOT VISIBLE FROM FRONT OF BENCH.



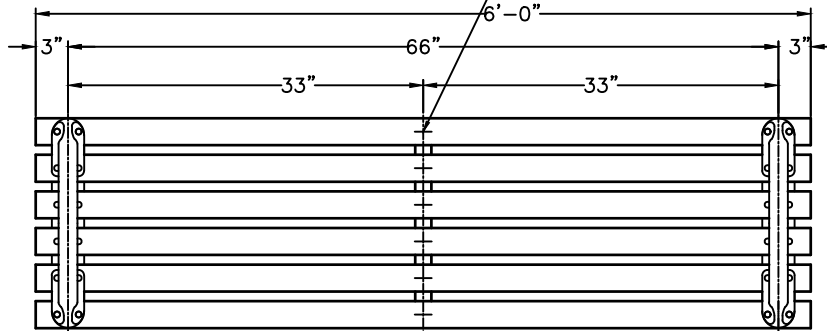
SECTION VIEW RPL BENCH SLAT WITH CROSS BRACE & SCREW - USED ON SEAT BRACES FROM BOTTOM



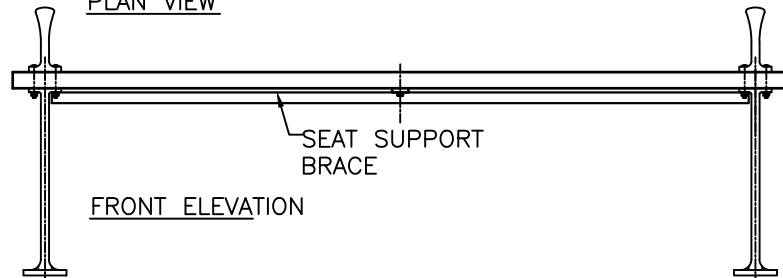
PLAN VIEW OF ARM



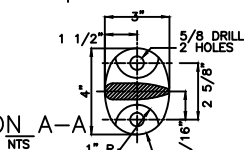
BOTTOM VIEW OF FEET



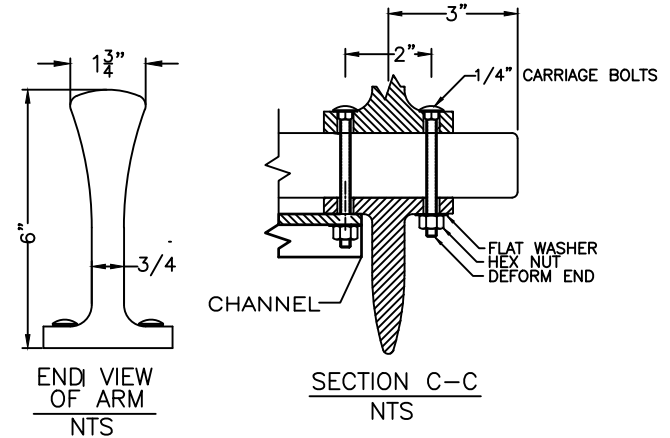
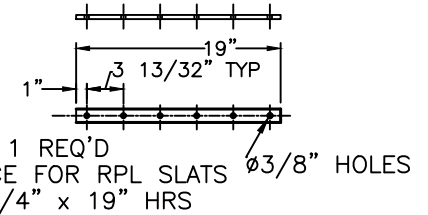
PLAN VIEW



FRONT ELEVATION



MATERIALS:
 BENCH LEGS & ARMS: CAST DUCTILE IRON
 RPL BRACES: 3/8" X 1 1/4" HRS
 3/16" X 1" X 2" STEEL CHANNEL
 SLATS: RECYCLED PLASTIC LUMBER
 SMALL FASTENERS (CARRIAGE BOLTS, NUTS, WASHERS & SCREWS)=STAINLESS STEEL



6 FOOT BENCH
 AVAILABLE BENCH LENGTHS: 4', 5', 6', 8'
 8' BENCHES HAVE 3 LEGS

COLOR:
 RPL _____
 CI & STEEL: GRAY ALUMINUM 9007

KENNETH LYNCH & SONS
 114 WILLENBROCK ROAD OXFORD, CT 06478
 PHONE 203-264-2831 FAX 203-264-2833

6731A 1964 WORLDS FAIR BENCH		
Scale FAX	Date 5/9/16	Drawn S.L.A.
RECYCLED PLASTIC SLATS		6' LONG
BACKLESS WITH ARMS		CONTRACT #
#6731A-6-RPL-FX-2012 NYC		

NOTE: THIS DRAWING VARIES FROM STANDARD IN THAT THE DISTANCE FROM THE EDGE OF THE SLATS TO THE CENTER OF THE LEG IS 3 INCHES.