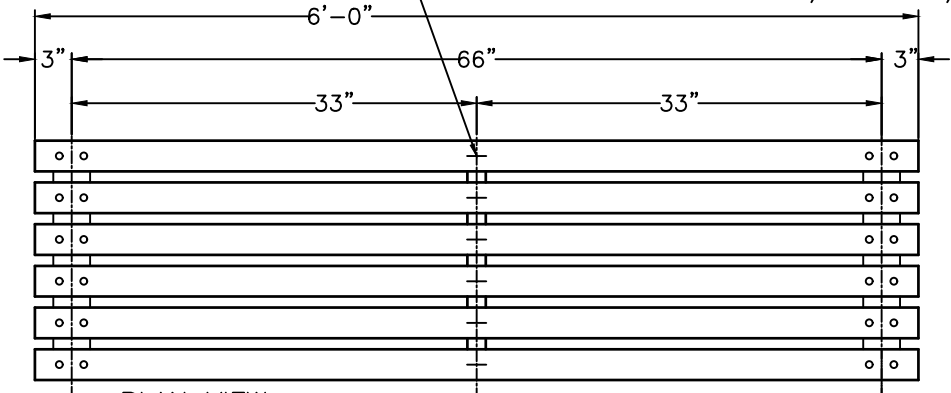


SECTION C-C
NTS

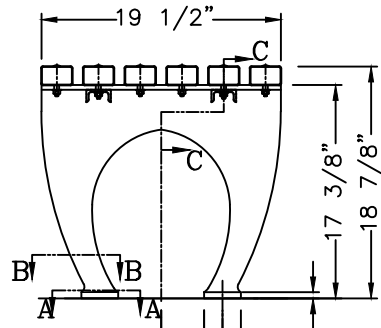
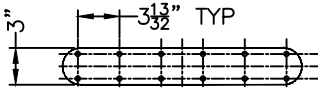
RPL IS HELD TO THE BRACES BY TAPERED SCREWS WHICH ARE DRIVEN INTO THE RPL FROM THE BACK AND BOTTOM AND ARE NOT VISIBLE FROM ABOVE. McMASTER #95638A317 PIN-IN-TORX TAMPER RESIST SHEET METAL SCREW 18-8 STAINLESS STEEL, BUTTON HEAD, NO 14 SIZE, 1-1/2" LENGTH NOT VISIBLE FROM FRONT OF BENCH.



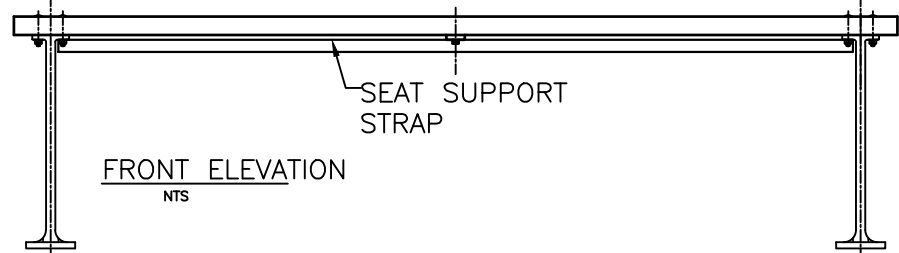
SECTION VIEW
RPL BENCH SLAT WITH CROSS BRACE & SCREW - USED ON SEAT BRACES FROM BOTTOM



PLAN VIEW
NTS

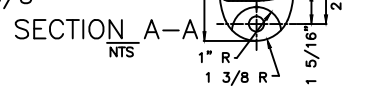


SIDE ELEVATION
NTS



FRONT ELEVATION
NTS

BOTTOM VIEW OF FEET



NOTE: THIS DRAWING VARIES FROM STANDARD IN THAT THE DISTANCE FROM THE EDGE OF THE SLATS TO THE CENTER OF THE LEG IS 3 INCHES.

MATERIALS:
BENCH LEGS: CAST DUCTILE IRON
RPL BRACES: 3/8" X 1 1/4" HRS
3/16" X 1" X 2" STEEL CHANNEL
SLATS: RECYCLED PLASTIC LUMBER
SMALL FASTENERS (CARRIAGE BOLTS, NUTS, WASHERS & SCREWS)=STAINLESS STEEL

6 FOOT BENCH
AVAILABLE BENCH LENGTHS: 4', 5', 6', 8'
8' BENCHES HAVE 3 LEGS

COLOR:
RPL _____
CI & STEEL: GRAY ALUMINUM 9007

KENNETH LYNCH & SONS
114 WILLENBROCK ROAD OXFORD, CT 06478
PHONE 203-264-2831 FAX 203-264-2833

6731 1964 WORLDS FAIR BENCH		
Scale FAX	Date 2/17/12	Drawn S.L.A.
RECYCLED PLASTIC SLATS		6' LONG
BACKLESS	CONTRACT #	
#6731-6-RPL-FX-2012 NYC		