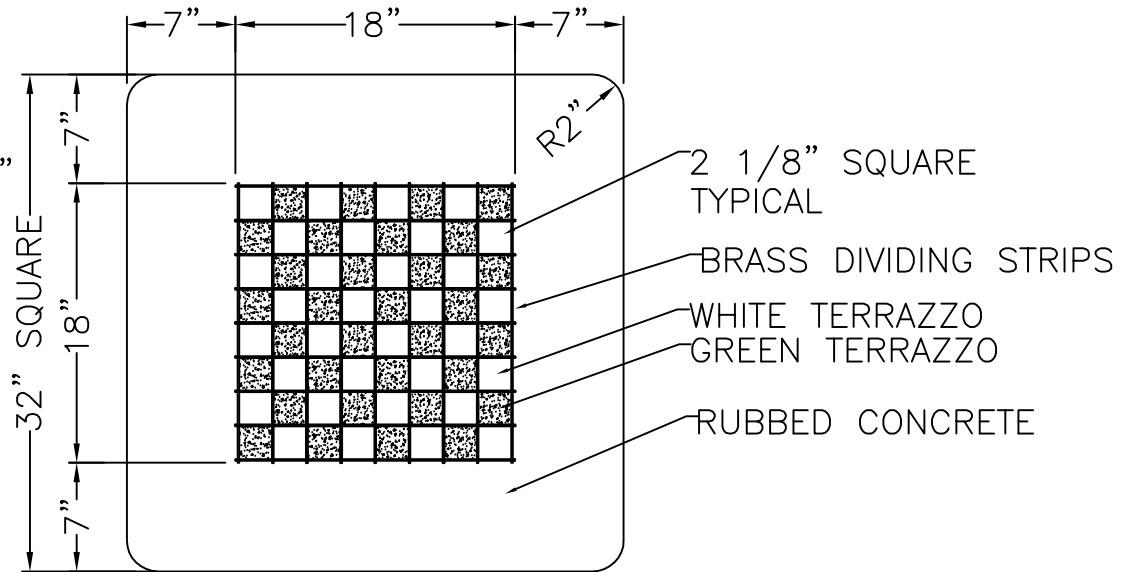
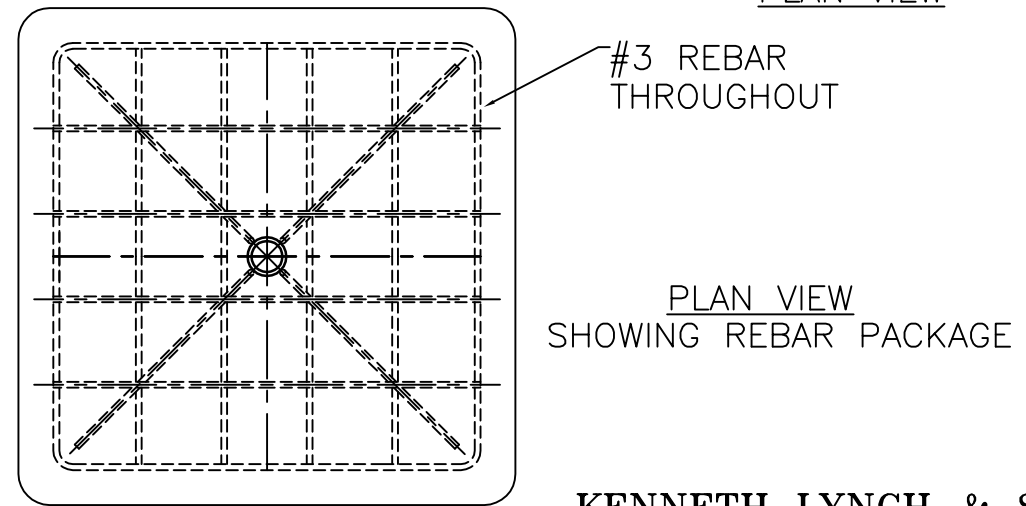


ELEVATION IN SECTION



PLAN VIEW



PLAN VIEW
SHOWING REBAR PACKAGE

CONCRETE CAST IN PLACE BY OTHERS

KENNETH LYNCH & SONS

114 WILLENBROCK ROAD PHONE 203-264-2831
OXFORD, CT 06478 FAX 203-264-2833

NOTE:
CHECKER TABLES SHALL BE SET SO THAT A PERSON SEATED ON THE BENCH WILL HAVE A WHITE SQUARE IN THE LOWER RIGHT HAND CORNER OF THE BOARD

Date Revised:	Drawn By:
7/15/08	S.L.A.
4/15/10	S.L.A.
10/28/15	S.L.A.

466 GAME TABLE - CAST STONE		
Scale: FAX	Date: 5/4/05	Drawn: S.L.A.
CAST STONE TABLE LEG		
MAT'L: CAST STONE		#466 FX