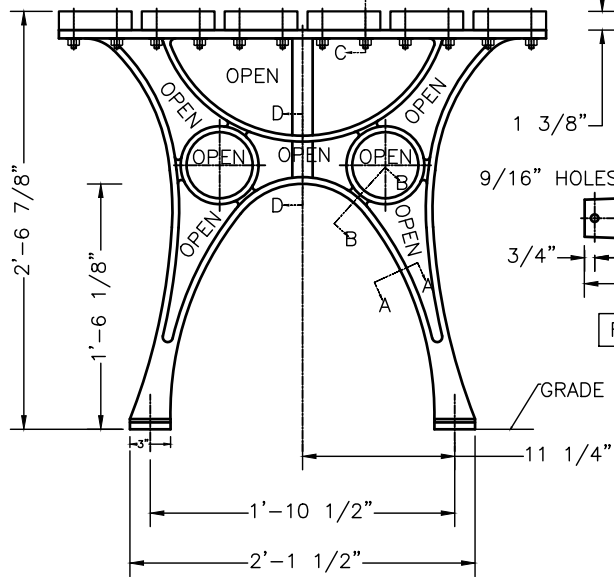
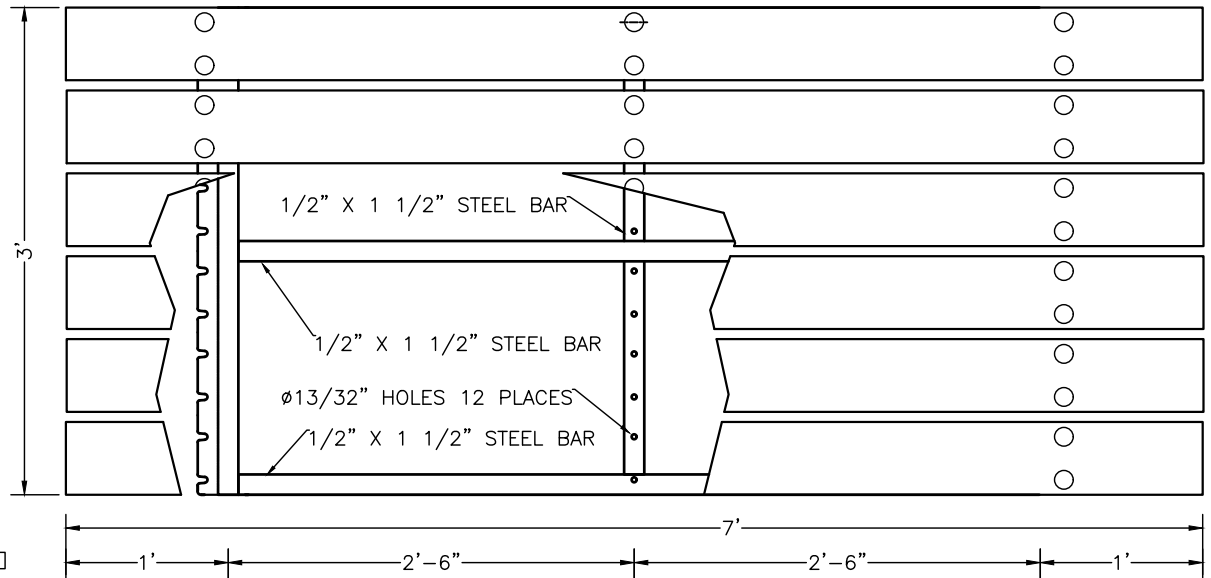
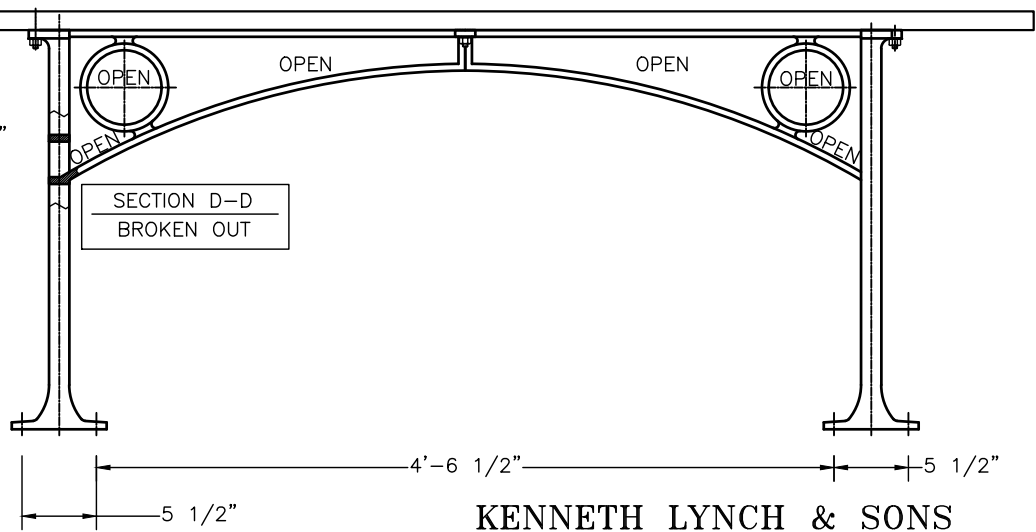


ELEVATOR BOLT: 3/8-16 X 2 1/2" LONG  
STAINLESS STEEL - DRAWN FULL SIZE



FOOTPRINT



SIDE ELEVATION

**MATERIALS:**

BENCH LEGS: CAST DUCTILE IRON  
WOOD SLATS: IPE (BETHABARA)/TABEBUIA  
SMALL FASTENERS (CARRIAGE BOLTS, NUTS AND WASHERS) STAINLESS STEEL

END ELEVATION

**KENNETH LYNCH & SONS**  
114 WILLENBROCK ROAD OXFORD, CT 06478  
PHONE: 203-264-2831 FAX 203-264-2833

<b>#3339C CROTONA PARK PICNIC TABLE</b>		
Scale: FAX	Date 3/4/08	Drawn S.L.A.
MAT: SEE NOTES		#3339C-FAX

©2001 Kenneth Lynch & Sons  
Wilton CT 06897