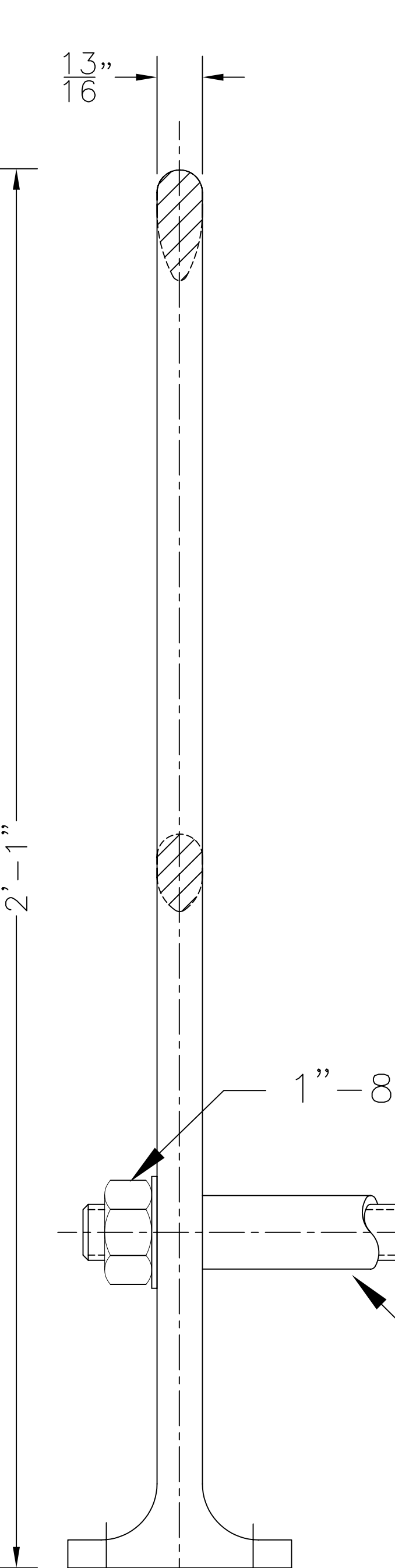
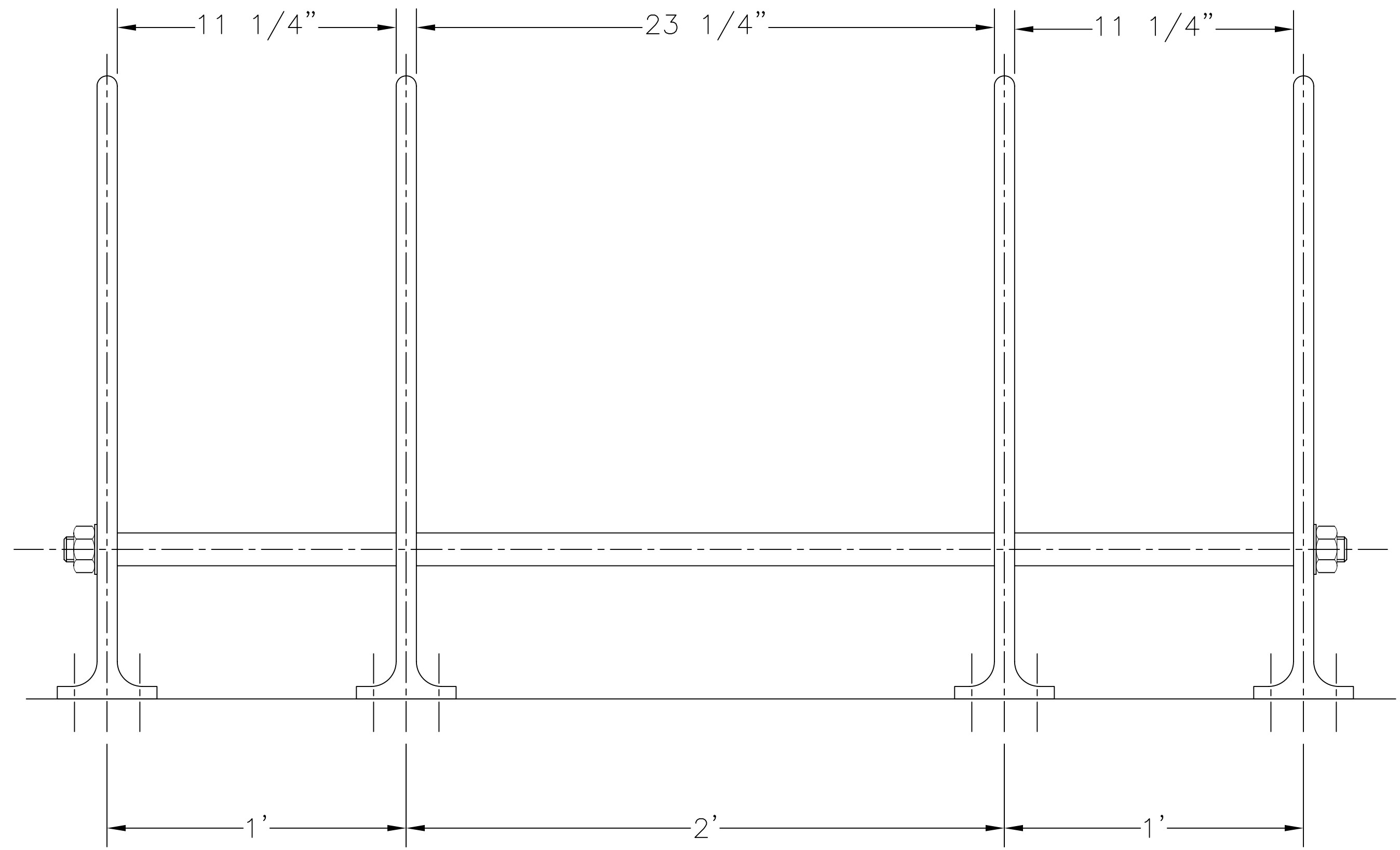


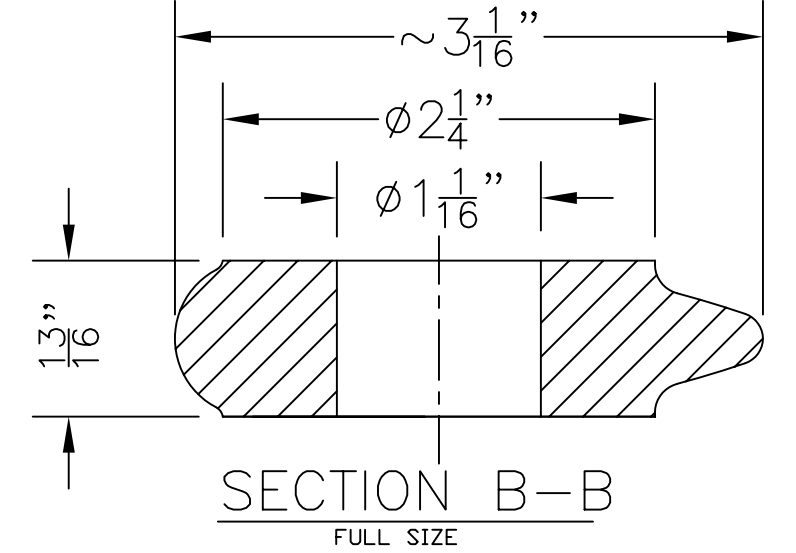
SIDE ELEVATION
SCALE: 6'=1'



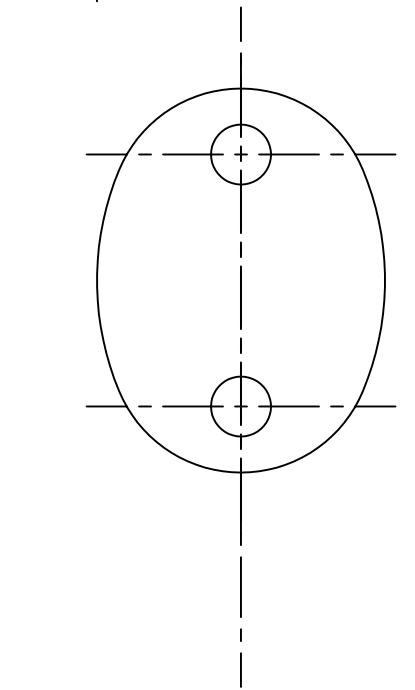
END ELEVATION
SCALE: 6'=1'



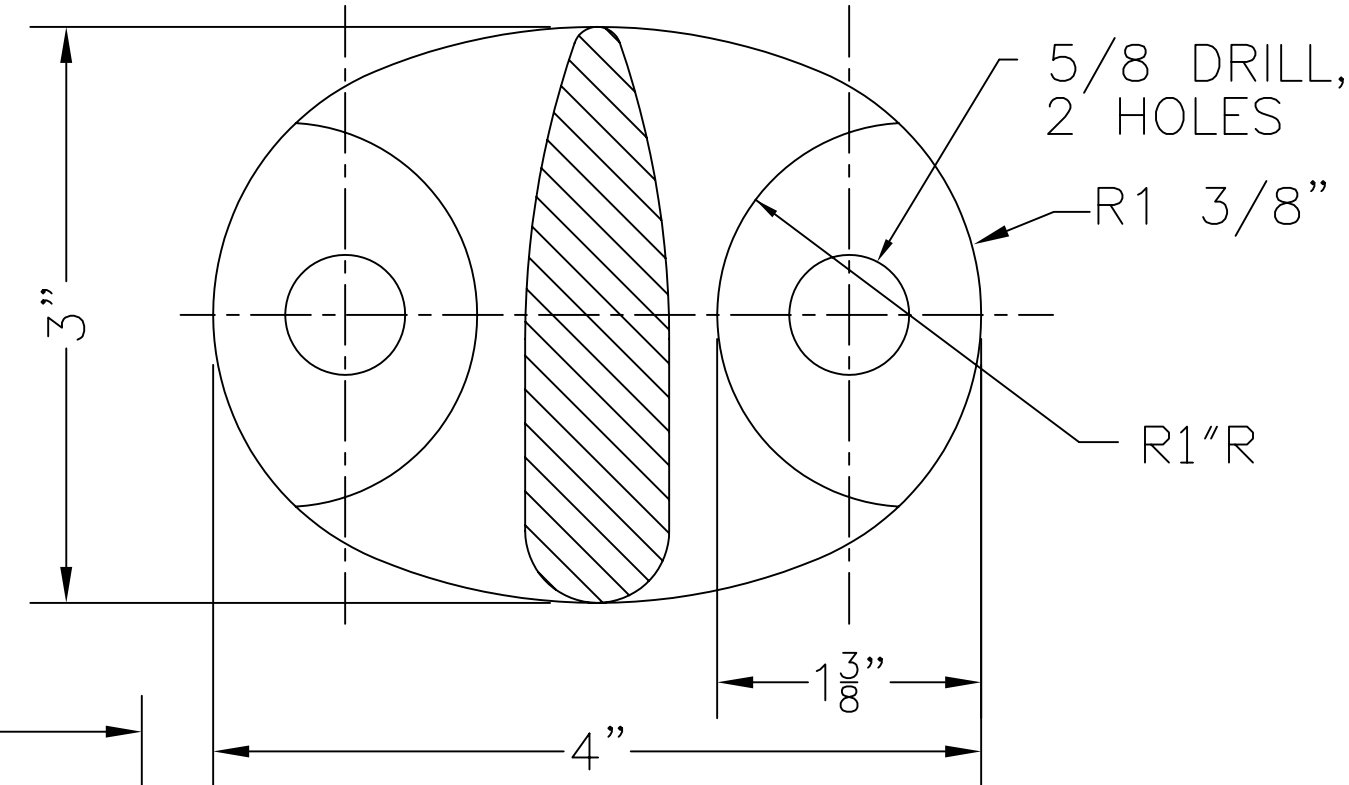
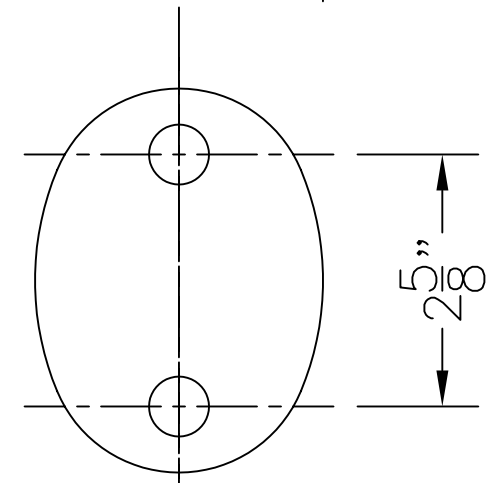
TYPICAL LAYOUT
SCALE: 3'=1'



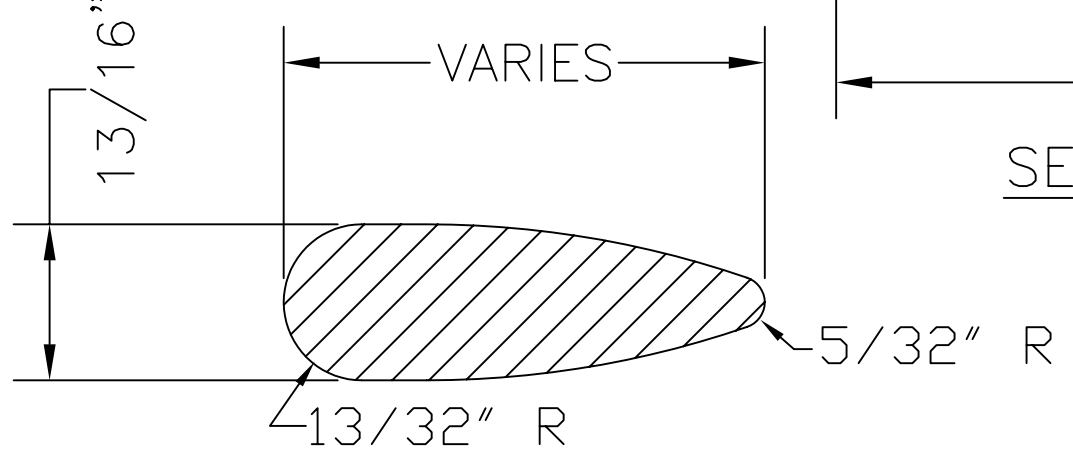
SECTION B-B
FULL SIZE



BOTTOM VIEW OF FEET
SCALE: 6'=1'



SECTION C-C
FULL SIZE



SECTION A-A
FULL SIZE

MATERIALS:
 LEGS: CAST DUCTILE IRON
 TIE ROD: ϕ 1" HRS
 SEPARATOR: 1" PIPE, STAINLESS STEEL, SCH. 40
 END NUTS & WASHERS: STEEL

1"-8 HEX NUT WITH WASHER, BOTH ENDS
 ϕ 1" H.R.S. THREADED BOTH ENDS
 SEPARATOR BETWEEN LEGS
 1" STAINLESS STEEL PIPE

CONTRACT # **M237-108M**

KENNETH LYNCH & SONS
 114 WILLENBROCK ROAD
 OXFORD, CT 06478
 PHONE 203-264-2831
 FAX 203-264-2833

NY CITY DEPT. of PARKS & REC.
 6747 '64 WORLD'S FAIR BIKE RACK
 CORPORAL JOHN A. SERAVALLI PLAYGROUND

Scale: 1/2 SIZE Date 11/16/10 Drawn S.L.A.

FINISH: POWDER COAT RAL9007 ALUKMINUM

M237-108M 6747 BIKE RACK

©2010 Kenneth Lynch & Sons
 Oxford CT 06478