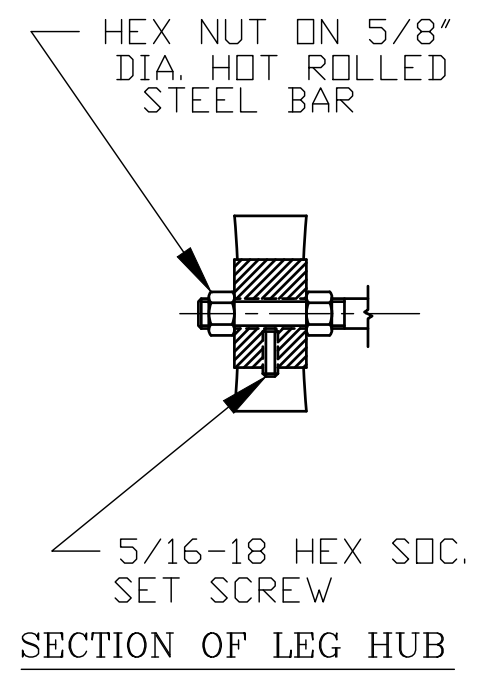
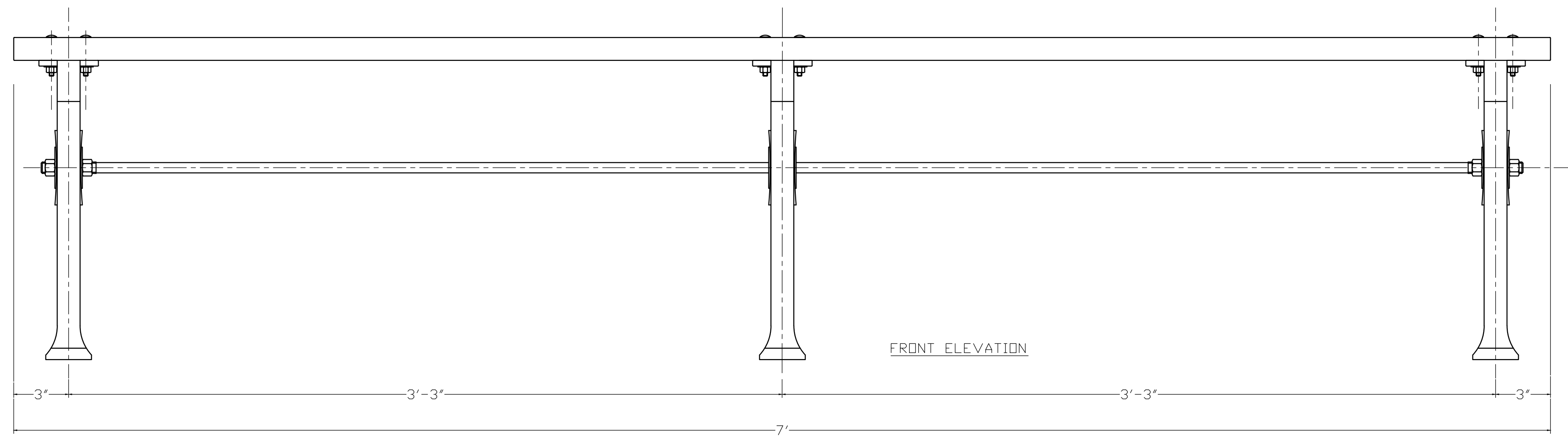
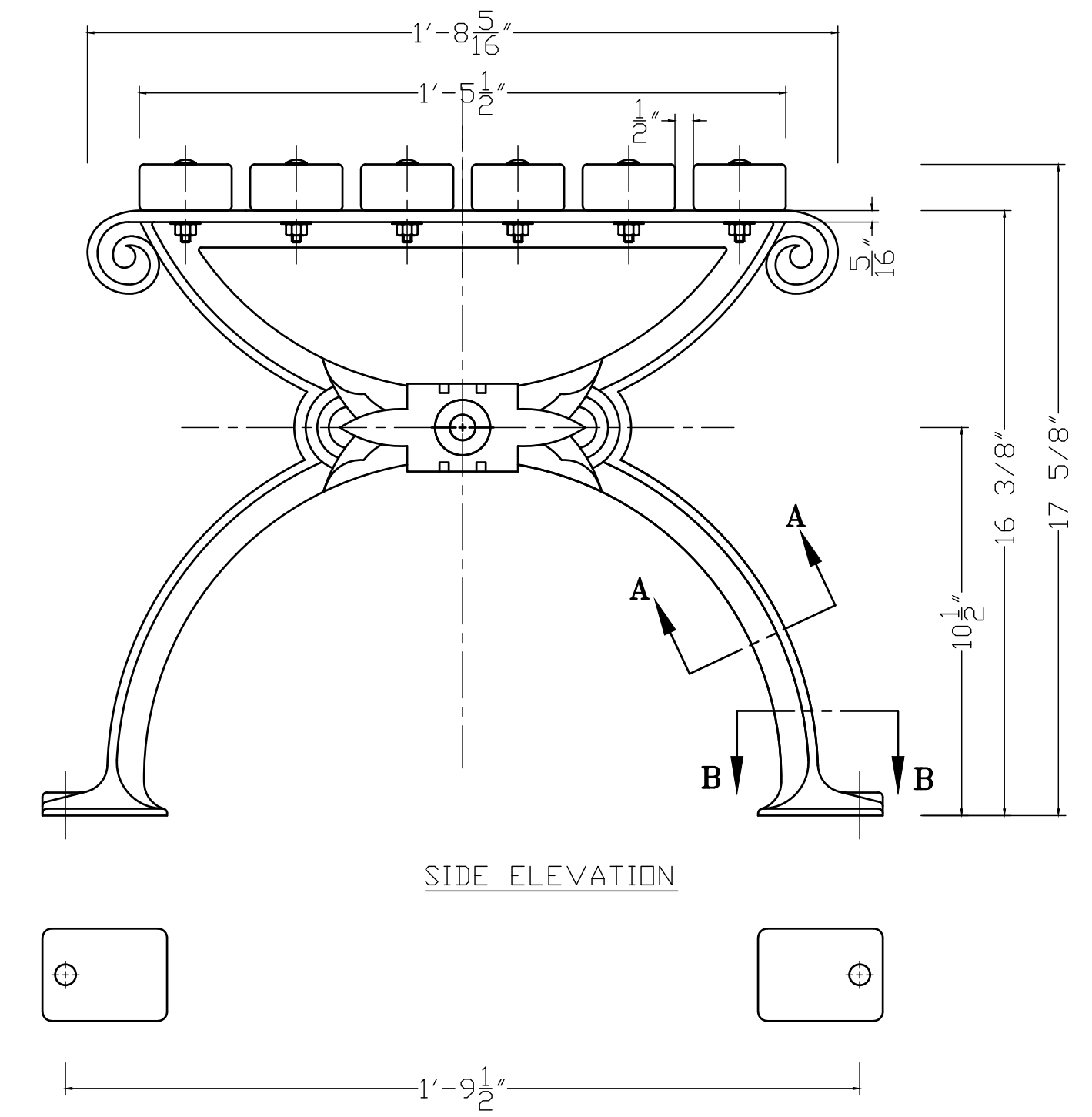
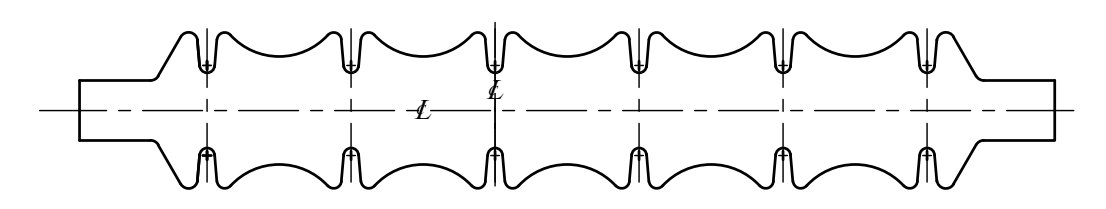
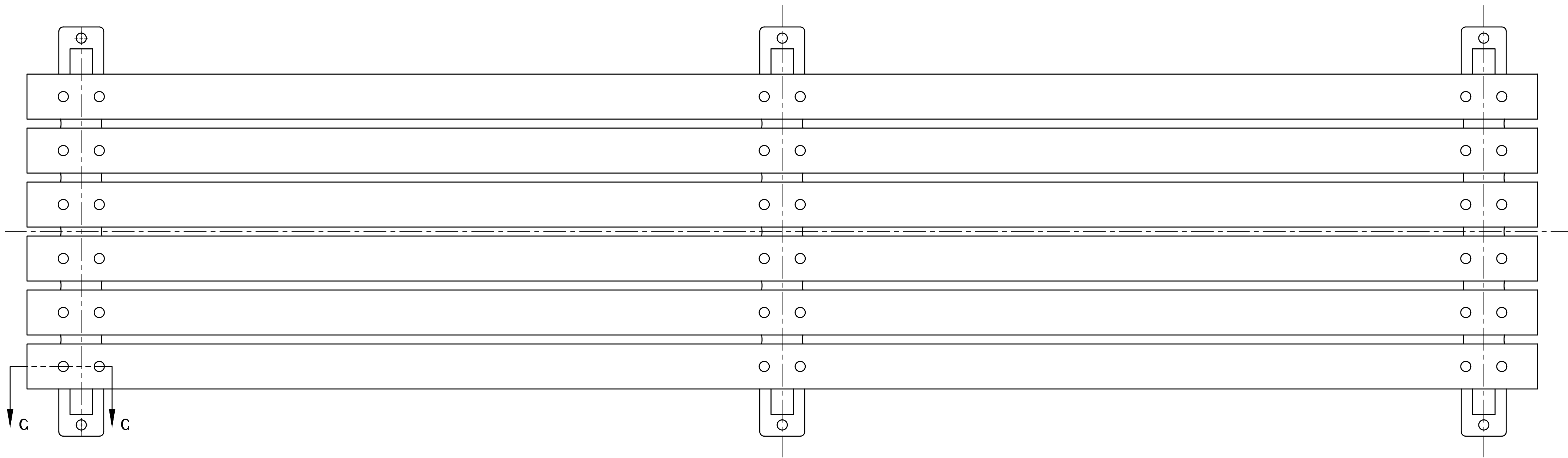


END VIEW OF WOOD SLAT
IPE/BETHABARA/TABEUIA
FULL SIZE



7 FOOT BENCH
LENGTH OF AVAILABLE
BENCHES: 4', 5', 6', 7', 8'
BENCHES OF LESS THAN 7' LENGTH HAVE 2 LEGS

MATERIALS:
BENCH LEGS: CAST DUCTILE IRON
WOOD SLATS: IPE (BETHABARA)/TABEUIA
SMALL FASTENERS (CARRIAGE BOLTS, NUTS AND
WASHERS): STAINLESS STEEL
TIE ROD: 5/8" DIA HOT ROLLED STEEL WITH
5/8 - 11 CUT THREADS
& GALVANIZED STEEL HEX NUTS

KENNETH LYNCH & SONS
84 DANBURY RD.
WILTON, CT 06897
203-762-8363
FAX 203-762-2999

6736-E-7 WORLD'S FAIR BACKLESS BENCH		
Scale: 3"=1'-0"	Date: 3/5/04	Drawn: S.L.A.
7 FOOT LONG - FLAT SEAT		
MAT'L: SEE NOTES	#6736-E-7	