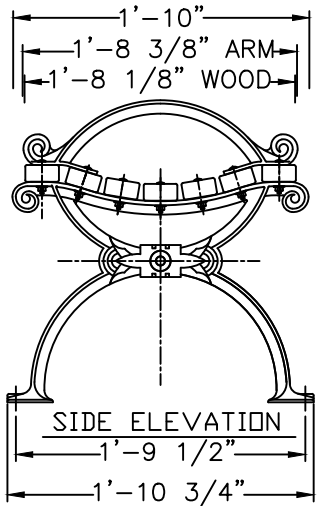
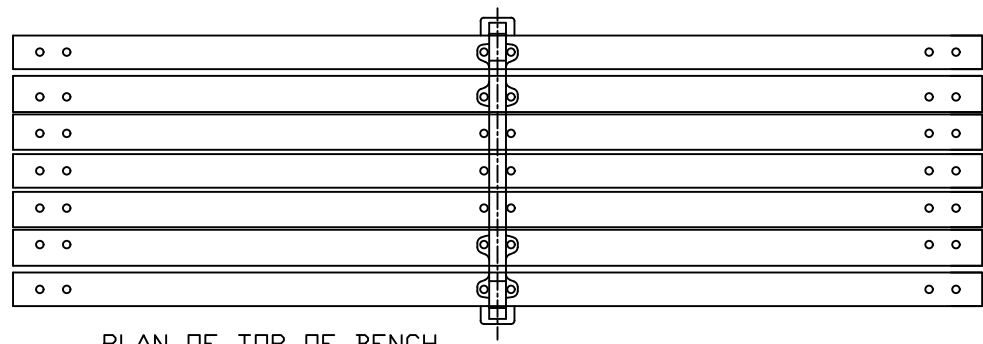


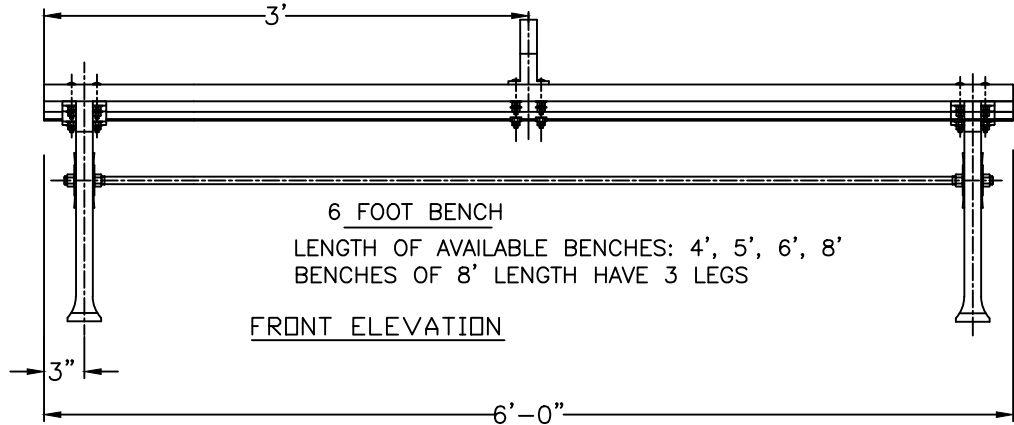
FOOTPRINT



SIDE ELEVATION

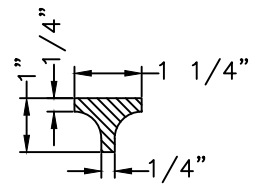


PLAN OF TOP OF BENCH

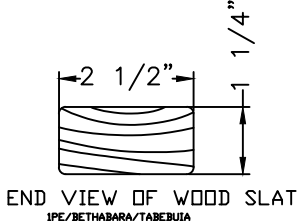


6 FOOT BENCH  
LENGTH OF AVAILABLE BENCHES: 4', 5', 6', 8'  
BENCHES OF 8' LENGTH HAVE 3 LEGS  
FRONT ELEVATION

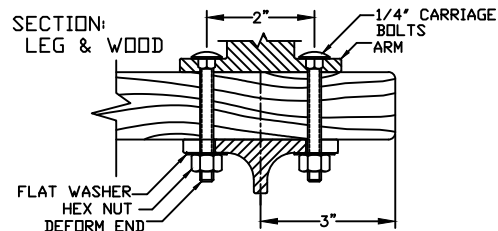
COLORS  
METAL PARTS: BLACK  
WOOD SLATS: NATURAL



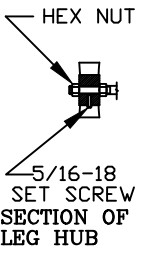
TYPICAL SECTION



END VIEW OF WOOD SLAT  
IPE/BETHABARA/TABEUUA



SECTION: LEG & WOOD  
1/4" CARRIAGE BOLTS ARM  
FLAT WASHER- HEX NUT DEFORM END



**MATERIALS:**  
BENCH LEGS & ARM: CAST DUCTILE IRON  
WOOD SLATS: IPE (BETHABARA)/TABEUUA  
SMALL FASTENERS (CARRIAGE BOLTS, NUTS AND WASHERS) STAINLESS STEEL  
TIE ROD: 5/8" DIA HOT ROLLED STEEL WITH 5/8 - 11 CUT THREADS & STEEL HEX NUTS

**KENNETH LYNCH & SONS**  
114 WILLENBROCK ROAD OXFORD, CT 06478  
203-264-2831 3203-264-2833

6736-C-6 WORLDS FAIR BACKLESS BENCH		
Scale: FAX	Date 8/14/13	Drawn S.L.A.
WITH CENTER ARMREST		6' LONG
MAT: SEE NOTES	#6736-C-6-1 ARM-FX	