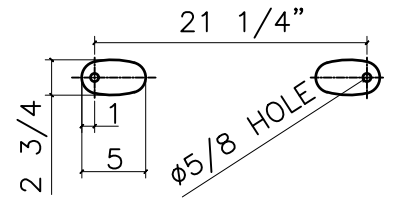
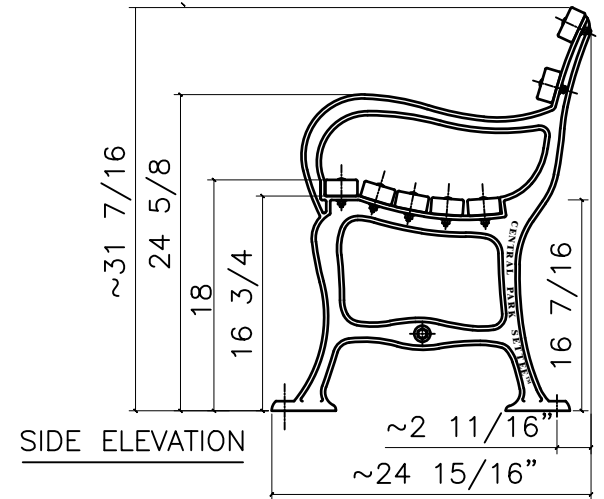
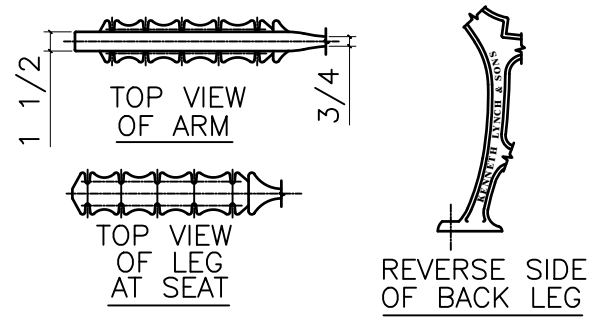


REAR ELEVATION OF UPPER LEG

4 FOOT BENCH

LENGTH OF AVAILABLE BENCHES: 4', 5', 6' 8'  
 BENCHES OF LESS THAN 8' LENGTH HAVE 2 LEGS



MATERIALS:

- BENCH LEGS: CAST DUCTILE IRON
- WOOD SLATS: IPE (BETHABARA)/TABEBUIA
- SMALL FASTENERS (CARRIAGE BOLTS, NUTS AND WASHERS) STAINLESS STEEL
- TIE ROD: 5/8" DIA HOT ROLLED STEEL WITH 5/8 - 11 CUT THREADS & STEEL HEX NUTS

**KENNETH LYNCH & SONS**

©2001 Kenneth Lynch & Sons  
 Oxford CT 06478

114 WILLENBROCK ROAD OXFORD, CT 06478  
 PHONE 203-264-2831 FAX 203-264-2833

Date Revised:	Drawn By:	#6735-B 4' CENTRAL PARK SETTEE	
8/12/04	S.L.A.	Scale FAX	Date 3/12/01
6/10/09	S.L.A.	Drawn S.L.A.	
		INTEGRAL ARMS	
		MAT: SEE NOTES	
			#6735-B-4 FX