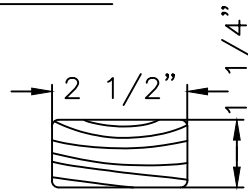


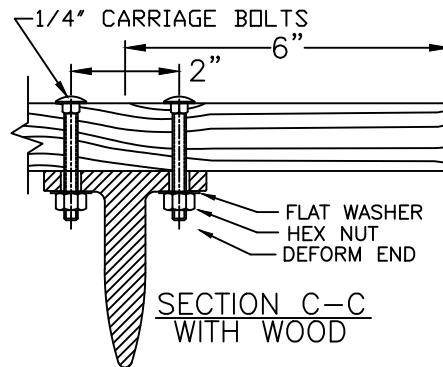
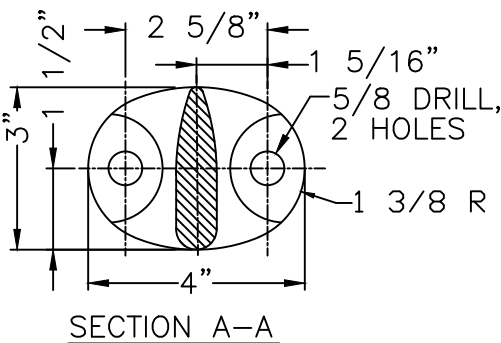
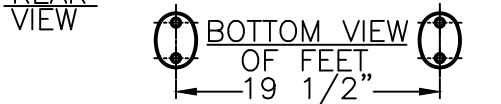
FRONT ELEVATION



END VIEW OF WOOD SLAT

MATERIALS:
 BENCH LEGS: CAST DUCTILE IRON
 WOOD SLATS: IPE (BETHABARA)/TABEBUIA
 SMALL FASTENERS (CARRIAGE BOLTS, NUTS & WASHERS): STAINLESS STEEL

BENCHES OF LESS THAN 8' IN LENGTH HAVE 2 LEGS



SECTION C-C WITH WOOD

KENNETH LYNCH & SONS

114 WILLENBROCK ROAD OXFORD, CT 06478
 PHONE 203-264-2831 FAX 203-264-2833

6733A		1964 FLUSHING MEADOWS CORONA PARK BENCH WITH ARMS	
Scale: FAX	Date 8/30/10	Drawn S.L.A.	
WITH ARMS		8' LONG	
MAT: SEE NOTES		#6733A-8 FX	