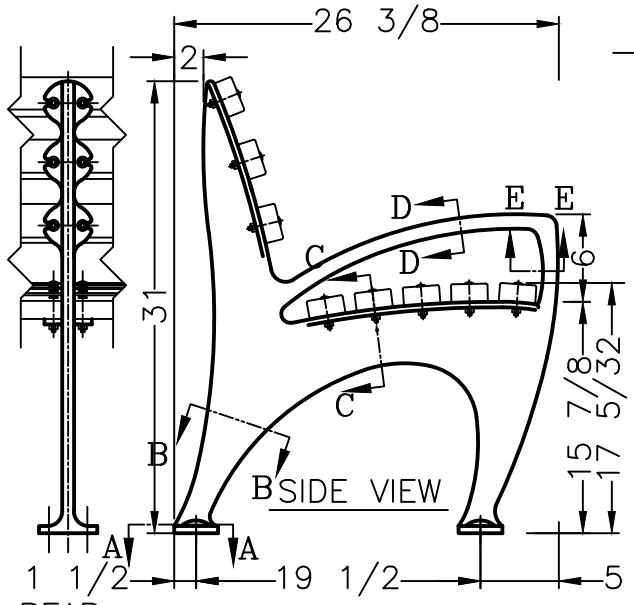
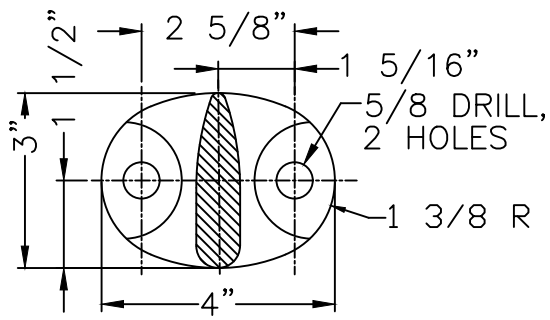


SECTION D-D

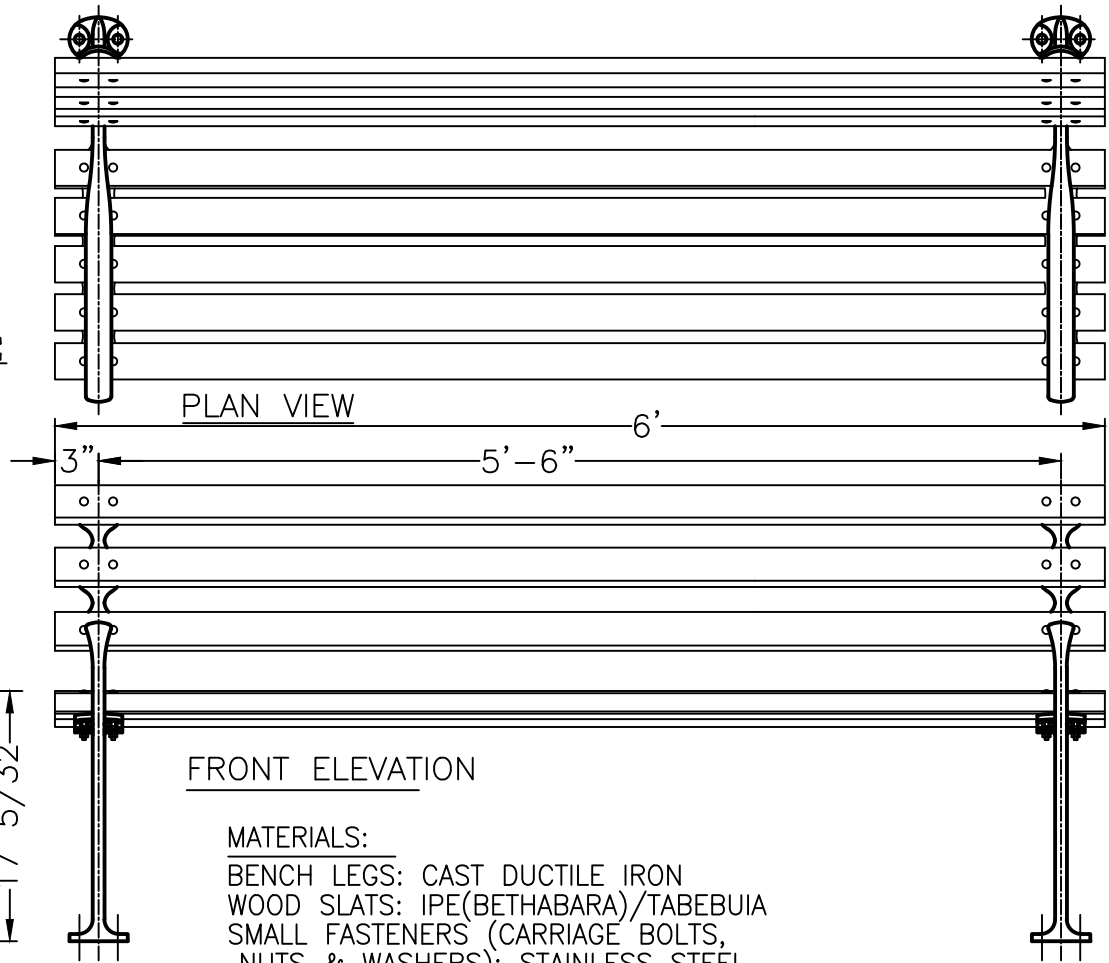
SECTION E-E



REAR VIEW

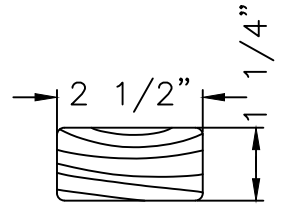


SECTION A-A



PLAN VIEW

FRONT ELEVATION



END VIEW OF WOOD SLAT

MATERIALS:  
 BENCH LEGS: CAST DUCTILE IRON  
 WOOD SLATS: IPE (BETHABARA)/TABEUBIA  
 SMALL FASTENERS (CARRIAGE BOLTS, NUTS & WASHERS): STAINLESS STEEL

COLOR:  
 CI & STEEL: GRAY ALUMINUM RAL 9007

BENCHES OF MORE THAN 6' IN LENGTH HAVE 3 LEGS

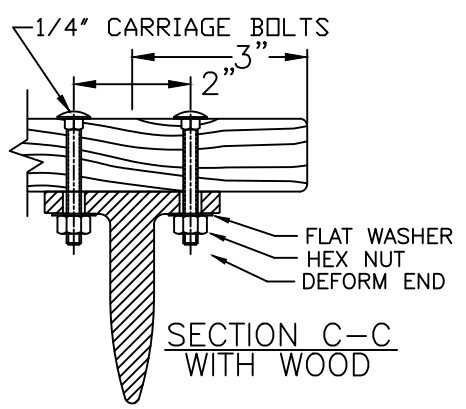
**KENNETH LYNCH & SONS**

114 WILLENBROCK ROAD OXFORD, CT 06478  
 PHONE 203-264-2831 FAX 203-264-2833

6733A

1964 FLUSHING MEADOWS  
 CORONA PARK BENCH WITH ARMS

Scale: FAX	Date 5/4/11m	Drawn S.L.A.
WITH ARMS		6' LONG
MAT: SEE NOTES		#6733A-6-FX



SECTION C-C WITH WOOD