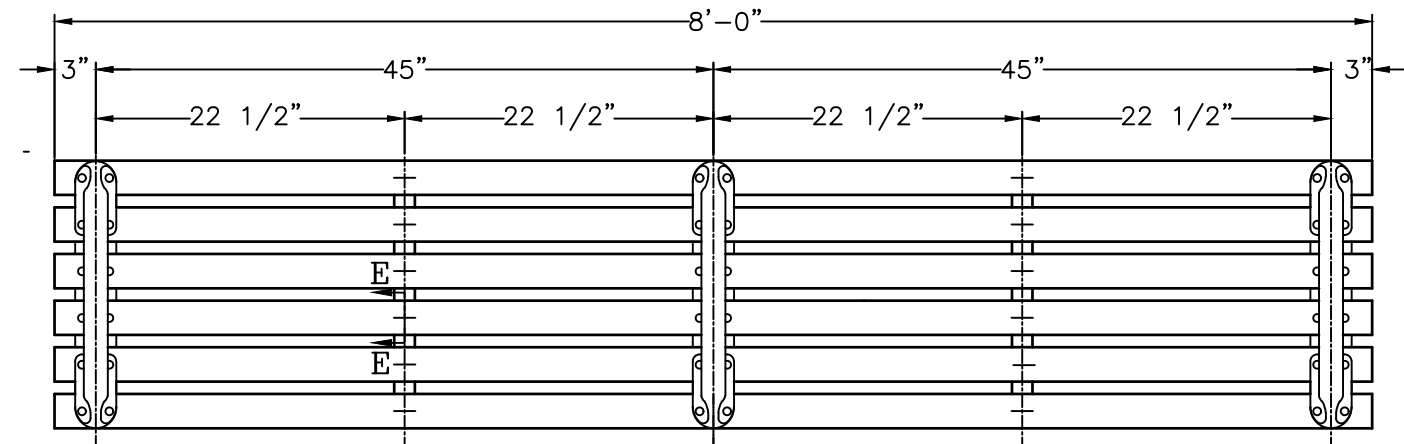
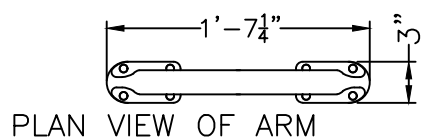
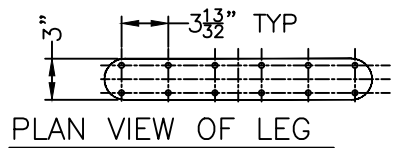
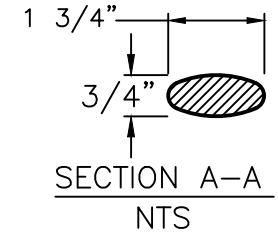
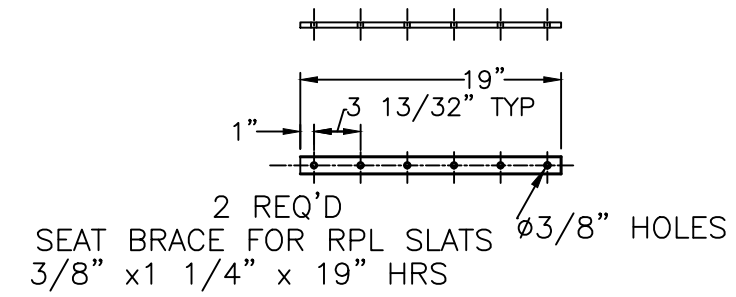
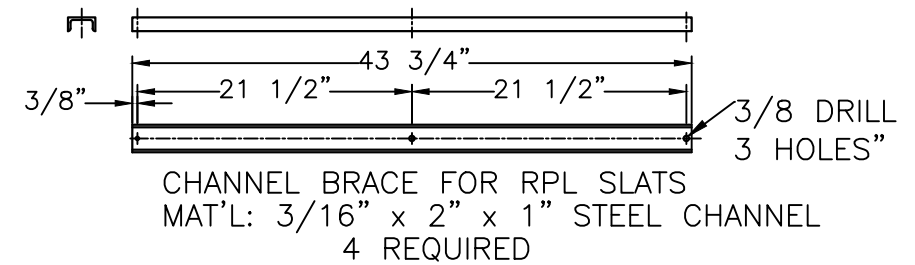
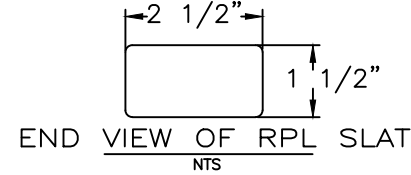
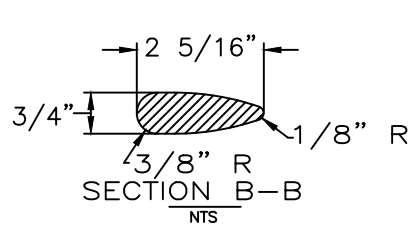


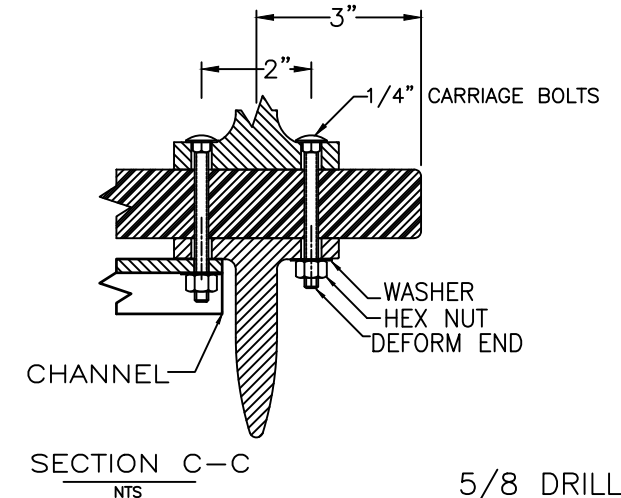
SECTION E-E
NTS

RPL BENCH SLAT WITH CROSS BRACE & SCREW - DRIVE SCREW INTO SLAT THROUGH BRACE FROM BOTTOM

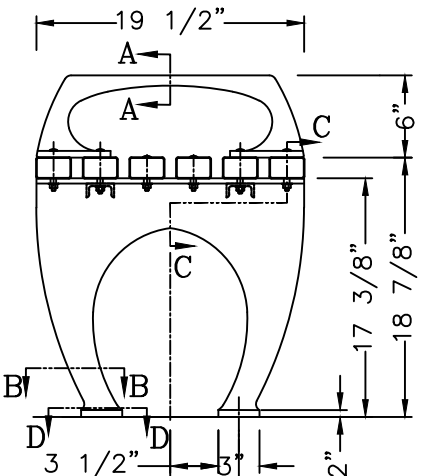
RPL IS HELD TO THE BRACES BY TAPERED SCREWS WHICH ARE DRIVEN INTO THE RPL FROM THE BACK AND BOTTOM AND ARE NOT VISIBLE FROM ABOVE. McMASTER #95638A317 PIN-IN-TORX TAMPER RESIST SHEET METAL SCREW 18-8 STAINLESS STEEL, BUTTON HEAD, NO 14 SIZE, 1-1/2" LENGTH NOT VISIBLE FROM FRONT OF BENCH.



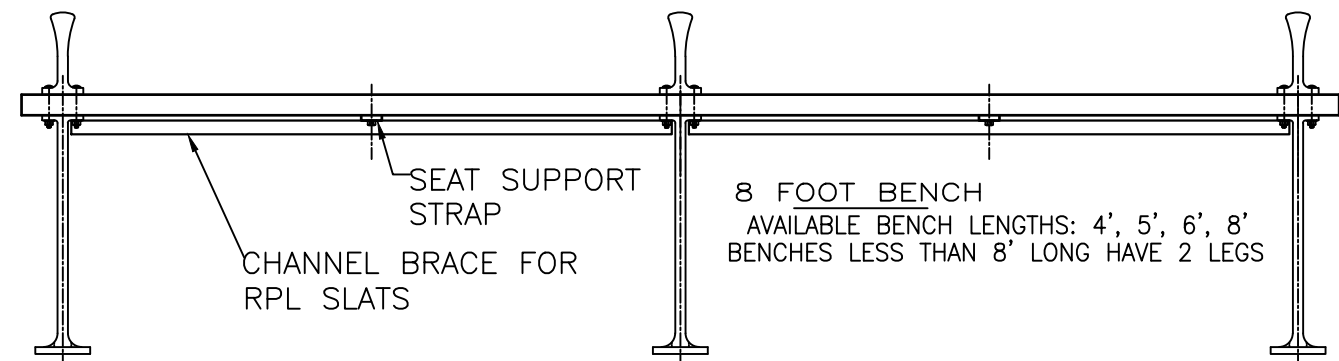
PLAN VIEW
NTS



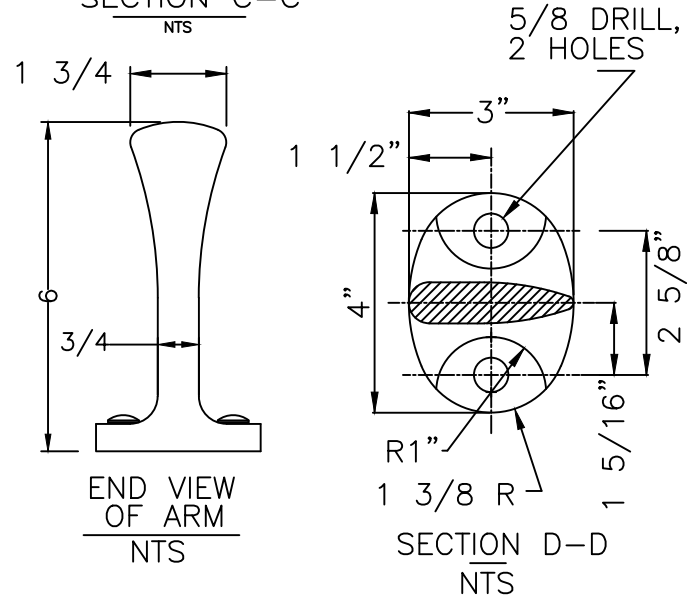
SECTION C-C
NTS



SIDE ELEVATION
NTS

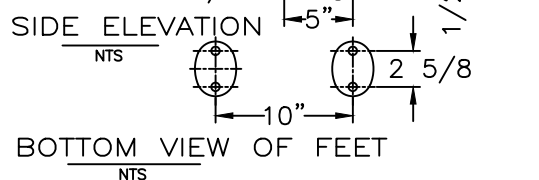


FRONT ELEVATION
NTS



END VIEW OF ARM
NTS

SECTION D-D
NTS



BOTTOM VIEW OF FEET
NTS

8 FOOT BENCH
AVAILABLE BENCH LENGTHS: 4', 5', 6', 8'
BENCHES LESS THAN 8' LONG HAVE 2 LEGS

MATERIALS:
BENCH LEGS & ARMS: CAST DUCTILE IRON
RPL BRACES: 3/8" X 1 1/4" HRS
3/16" X 1" X 2" STEEL CHANNEL
SLATS: RECYCLED PLASTIC LUMBER (RPL)
SMALL FASTENERS (CARRIAGE BOLTS, NUTS, WASHERS & SCREWS): STAINLESS STEEL

COLORS:
RPL: _____
CI & STEEL: GRAY ALUMINUM 9007

KENNETH LYNCH & SONS
114 WILLENBROCK ROAD OXFORD, CT 06478
PHONE 203-264-2831 FAX 203-264-2833

6731-A 1964 WORLDS FAIR BENCH		
Scale FAX	Date 3/14/13	Drawn S.L.A.
RECYCLED PLASTIC SLATS		8' LONG
BACKLESS	WITH ARMS	
#6731-A-8-RPL-FX-2012 NYC		

NOTE: THIS DRAWING VARIES FROM STANDARD IN THAT THE DISTANCE FROM THE EDGE OF THE SLATS TO THE CENTER OF THE LEG IS 3 INCHES.