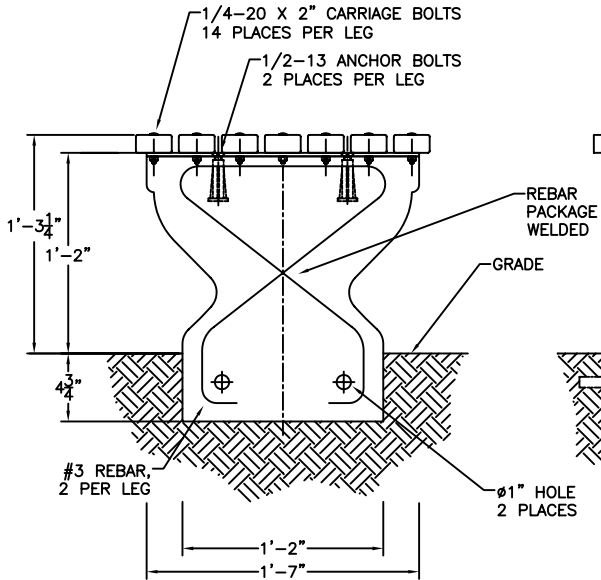
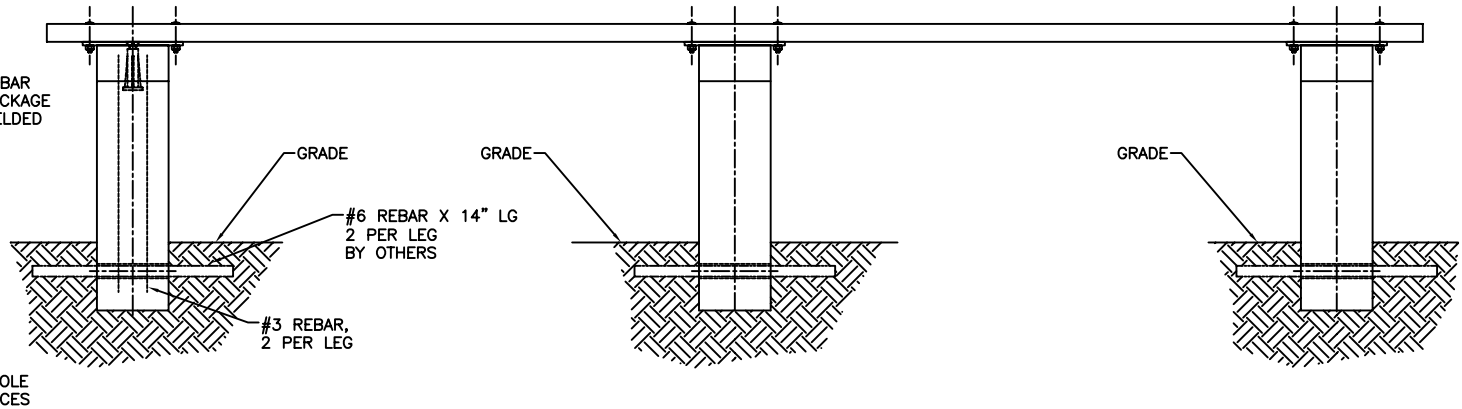


PLAN VIEW
SCALE 3"=1'-0"



SIDE ELEVATION
SCALE 3"=1'-0"



FRONT ELEVATION
SCALE 3"=1'-0"

LENGTH OF BENCH	CL TO CL OF LEGS
12 FEET	3 FEET 8 INCHES
8 FEET	3 FEET 6 INCHES
7 FEET	6 FEET
6 FEET	5 FEET
5 FEET	4 FEET
4 FEET	3 FEET

NOTE:
BENCHES OF LESS THAN 8 FEET
IN LENGTH HAVE TWO LEGS.
THE 8 FOOT BENCH HAS 3 LEGS
THE 12 FOOT BENCH HAS 4 LEGS

KENNETH LYNCH & SONS
64 DANBURY RD.
WILTON, CT 06897
203-762-8363
FAX 203-762-2999

#3238 C BENCH - BACKLESS		
Scale: 3"=1'-0"	Date: 8/20/07	Drawn: B.L.A.
SHORT LEGS		
MAT'L: CAST STONE	#3238 C	